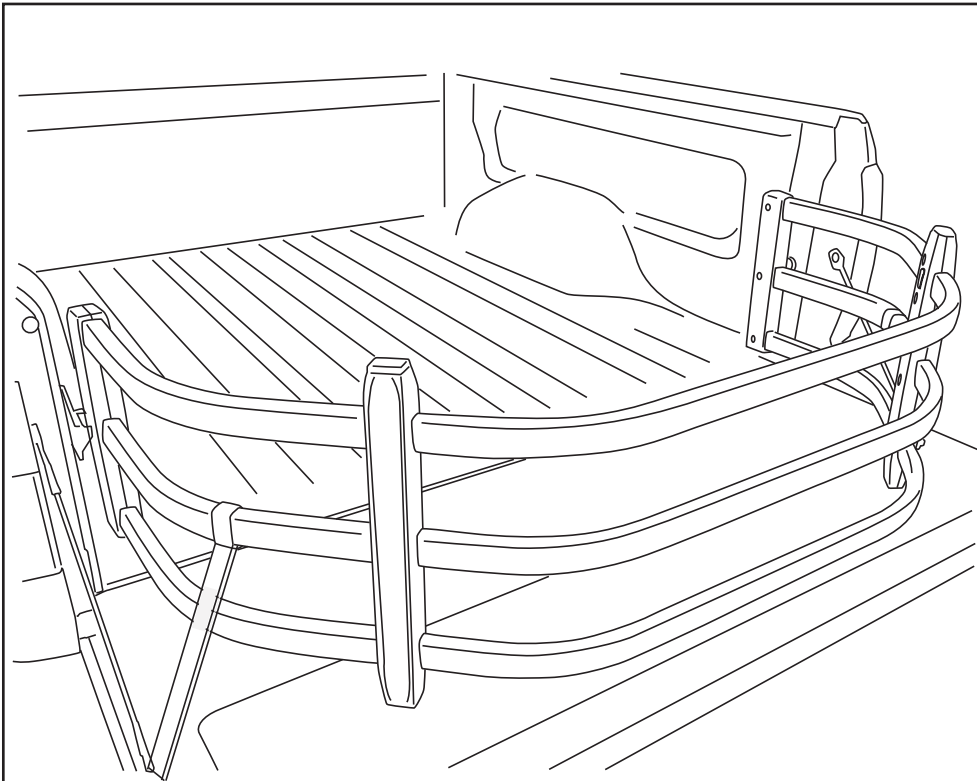


**APPLICATION**

Jeep Gladiator

**PART #**

74833-01A(Black)



**BEDXTENDER HD™ shown assembled and installed on truck.**

Remove contents from box and check for damage.

Verify all parts against parts list.

Read and understand instructions completely before attempting assembly and installation.

**INSTALLATION TIME**

1 Hour

**SKILL LEVEL**



1= Easy

**TOOLS REQUIRED**

Phillips screw driver

Torx T-25 driver

Power drill

9/64" drill bit

Center punch

Supplied templates

Soapy Water

Measuring Tape

Painter's tape

**WARRANTY**

**3-Year Limited Warranty**

**REALTRUCK TECH SUPPORT 1-888-983-2204 (Press 2) Monday - Friday, 8:00 AM - 5:00 PM EST**

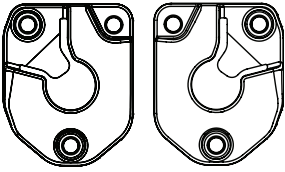
Designed and manufactured by AMP Research® • Made in Mexico

Patent Protected. Please see our product site for applicable patents. [www.realtruck.com/b/amp-research/](http://www.realtruck.com/b/amp-research/)

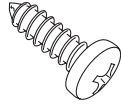
© 2024 AMP Research • Three-year limited warranty. • Professional installation is recommended.

PARTS LIST AND HARDWARE IDENTIFICATION

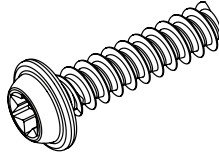
① x2  
Quick Mount  
Bracket Set



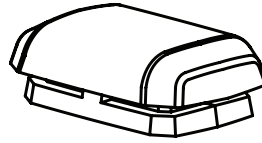
② x6  
Phillips head  
screw  
(included in 74608-01A)



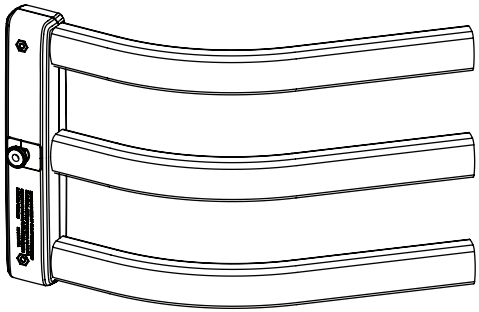
③ x12  
PT-Screw



④ x4  
Bumper



⑤ x2  
Strap Buckle Assembly



⑥ x2  
Pivot Upright Assembly



⑦ x2  
Bumper Upright Outer



⑧ x2  
Bumper Upright Inner

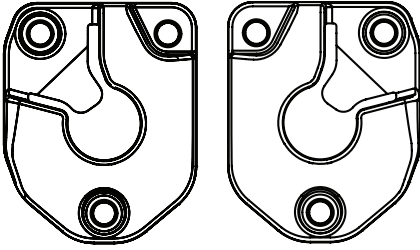
⑨  
Double Bend Center Tube (With AMP Logo)



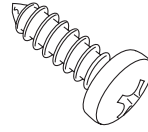
⑩ x2  
Double Bend Center Tube (Without AMP Logo)



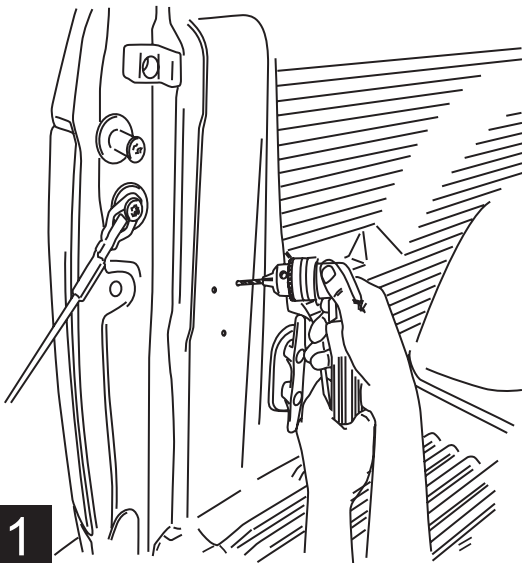
## UNIVERSAL MOUNTING BRACKET INSTALLATION



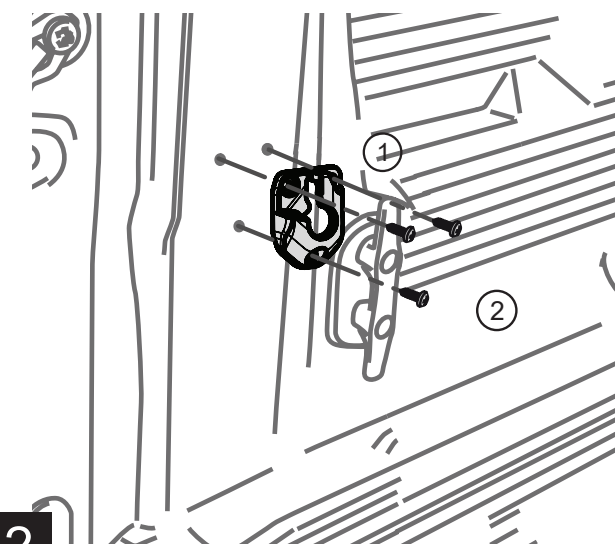
**1** x2  
Quick Mount  
Bracket



**2** x6  
Phillips head  
screw



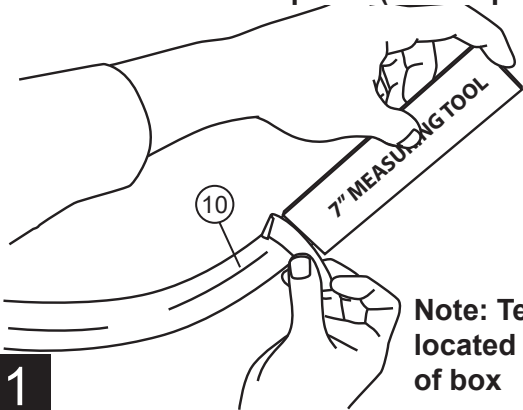
Using a power drill and 9/64" drill bit, drill through the existing dimple holes in sheet metal. If equipped with a bedliner, drill through bedliner.



Fasten mounting brackets using the supplied self-tapping Phillips screws and torque to 30 in. lbs. If equipped with a bedliner, install mounting brackets over bedliner.

## BED X-TENDER ASSEMBLY

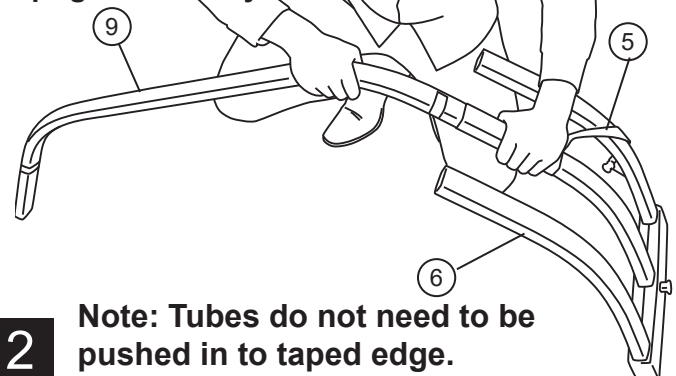
Using template measure 7" from each end of the three long tubes and mark with tape. **Tape is to be used as a reference point. (See step 6)**



**Note: Template located on inside of box**

**1**

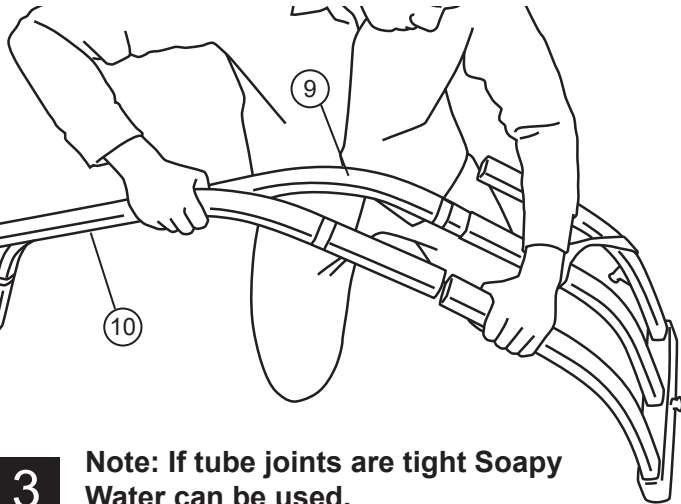
Slide the center tube (With Amp logo) into the center tube of the 3-tube assembly. **Be sure to slide on Strap Buckle Assembly to center tube of Pivot Upright Assembly**



**Note: Tubes do not need to be pushed in to taped edge.**

**2**

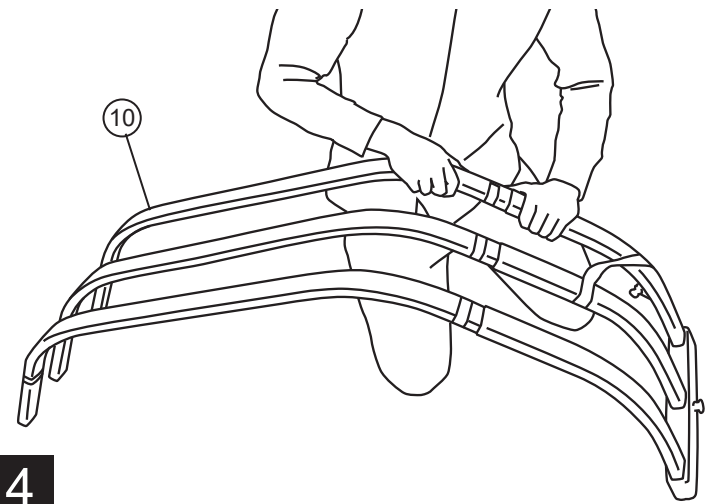
Insert the top long tube into the top tube of the 3-tube assembly.



**Note: If tube joints are tight Soapy Water can be used.**

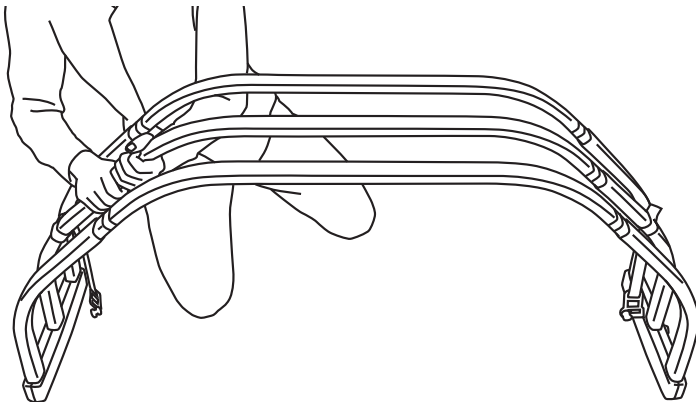
**3**

Insert the bottom long tube into the bottom tube of the 3-tube assembly.



**4**

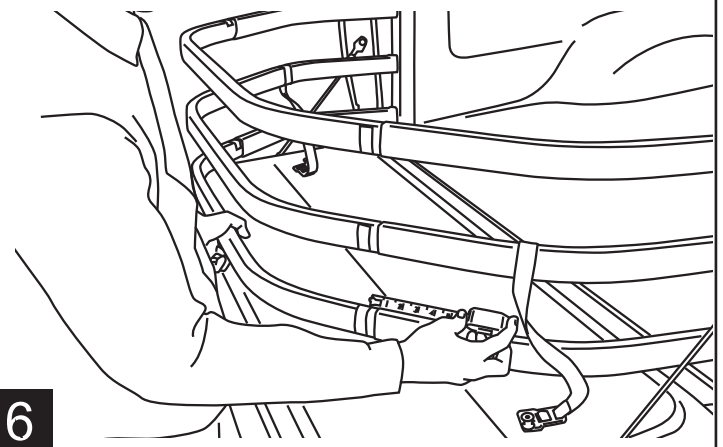
Repeat for the other side.



**Note: Install Strap Buckle Assembly to center tube of Pivot Upright Assembly.**

**5**

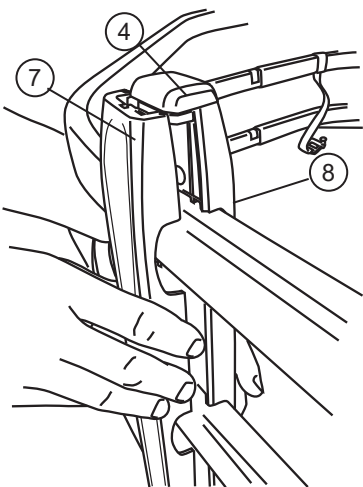
Adjust the width of the BEDXTENDER to fit the pre-installed mounting brackets. To keep tube overlap constant, adjust each tube so that the gap between the edge and the tape is the same.



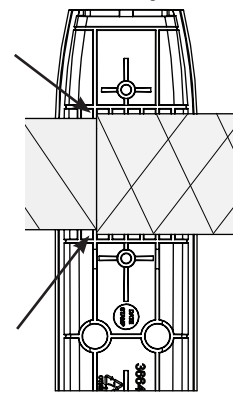
**6**

## BED X-TENDER ASSEMBLY – CONTINUED

Attach plastic upright around the tube juncture, placing rubber bumpers into the two ends of the upright.



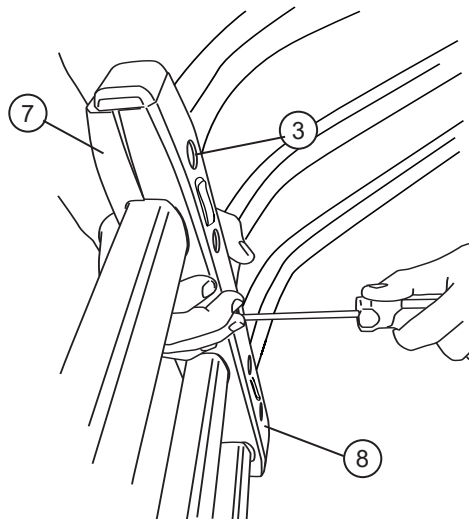
*Upright is not positioned in center of tube joint.*



**NOTE:** The inside of the upright is stepped to fit correctly around the small and large diameter tubes.

**7**

Tighten PT-Screws using a T-25 torx driver, starting in the middle of each upright, then the outer screws and lastly the remaining two to evenly tighten.



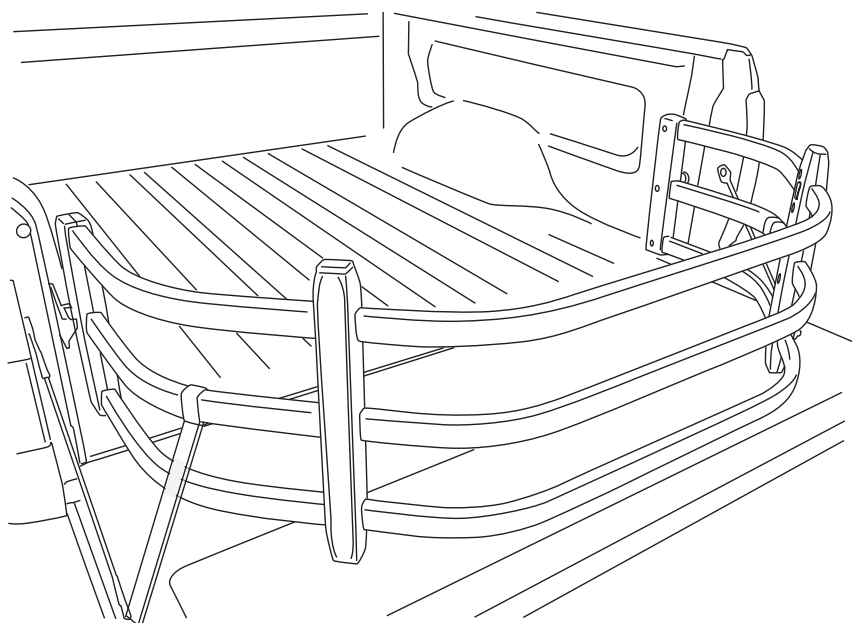
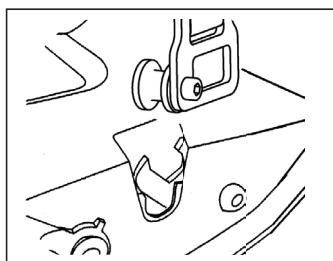
**NOTE:** Do not over tighten as this may strip out. Fastener will reach a noticeable stopping point.

**8**

Adjust Strap Buckles to lock into the tailgate when BEDXTENDER is deployed.

When the BEDXTENDER is at the furthest rear position, push down on the buckle to insert into tailgate latch. Tighten straps.

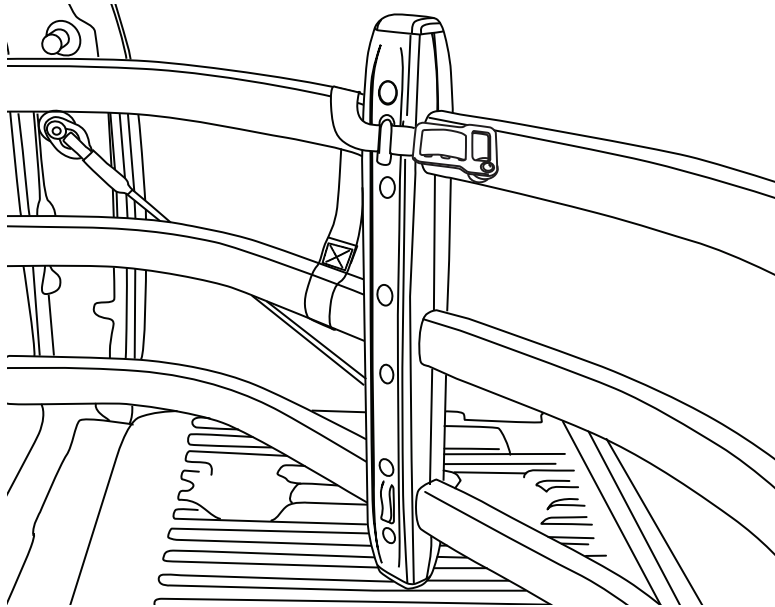
**NOTE:** Ensure that buckles are properly inserted into latches by pulling on the straps after both buckles have been inserted.



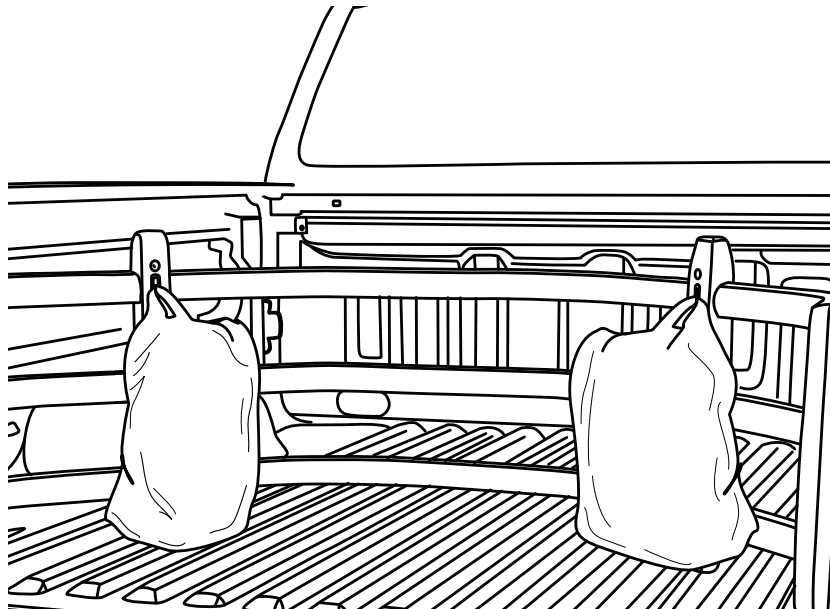
**9**

Pull tailgate release handle to release buckles from the tailgate.

Before flipping the Bed Extender into the cargo divider position, secure the buckles/straps on the top clips while the Bed Extender is outward position, this is to secure them from swinging.

**10**

The straps will be secured on the bottom clips when Bed Extender is flipped in, this will leave the top clips free to use to hold grocery bags if needed. Closing tailgate to keep cargo secured in bed.

**11**

Thank you for your recent Realtruck Purchase.

**REGISTER YOUR PRODUCT TODAY FOR  
FASTER SERVICE & PRODUCT UPDATES**

Please visit:

**<https://realtruck.com/warranty-registration/>**  
or scan the QR Code



**Product Registration Benefits:**

- Ensure we have your purchase receipt and product info in our system which is required for warranty.
- Faster and easier access to customer service and tech support in the unlikely event you need warranty or product support.
- Registration helps us keep you up to date on product information and offers.

To view other Realtruck products that may be offered for your vehicle.

**Please visit: [www.realtruck.com](http://www.realtruck.com)**





**Congratulations on the purchase of your AMP Research BedXTender HD™**

**Here is what you should know...**

With the tailgate open, place BEDXTENDER pivot pins into the left and right mounting brackets. Rotate to 45 until it drops into place, then lower onto the open tailgate.



Flip BEDXTENDER out to contain cargo in the truck bed when the tailgate is open. **CAUTION!** 200lb maximum load on open tailgate. Always distribute cargo evenly and properly secure inside bed. Do not secure cargo to the BEDXTENDER or the tailgate.



Before driving, secure BEDXTENDER by locking the provided strap buckles into the truck's tailgate latches. To release, pull tailgate handle. **NOTE:** Ensure that both buckles are properly locked into the latches by pulling up on each strap.



Flip BEDXTENDER forward and close the tailgate to keep smaller cargo safe and organized.

## LIMITED WARRANTY

REALTRUCK warrants product to be free from defects in material and workmanship, for terms specified below, provided there has been normal use and proper maintenance. All remedies under this warranty are limited to the repair or replacement of any item found by the factory to be defective within the time period specified.

If you have a warranty claim, first you must call our factory at the number below for instructions. You must retain proof of purchase and submit a copy with any items returned for warranty work. Upon completion of warranty work, if any, we will return the repaired or replaced item or items to you freight prepaid. Damage to our products caused by accidents, fire, vandalism, negligence, misinstallation, misuse, acts by mother nature, or by defective parts not manufactured by us, is not covered under this warranty.

**THE WARRANTY TIME PERIOD IS AS FOLLOWS: THREE YEARS FROM DATE OF PURCHASE.**

**ANY IMPLIED WARRANTIES OF MERCHANTABILITY AND/OR FITNESS FOR A PARTICULAR PURPOSE CREATED HEREBY ARE LIMITED IN DURATION TO THE SAME DURATION AND SCOPE AS THE EXPRESS WRITTEN WARRANTY. OUR COMPANY SHALL NOT BE LIABLE FOR ANY INCIDENTAL OR CONSEQUENTIAL DAMAGE.**

Some states do not allow limitations on how long an implied warranty lasts, or the exclusion or limitation of incidental or consequential damages, so the above limitations or exclusions may not apply to you. This warranty gives you specific legal rights, and you may also have other rights that vary from state to state.

**FOR WARRANTY ISSUES WITH THIS PRODUCT PLEASE CALL REALTRUCK CUSTOMER SERVICE 1-888-983-2204**

## WARNING

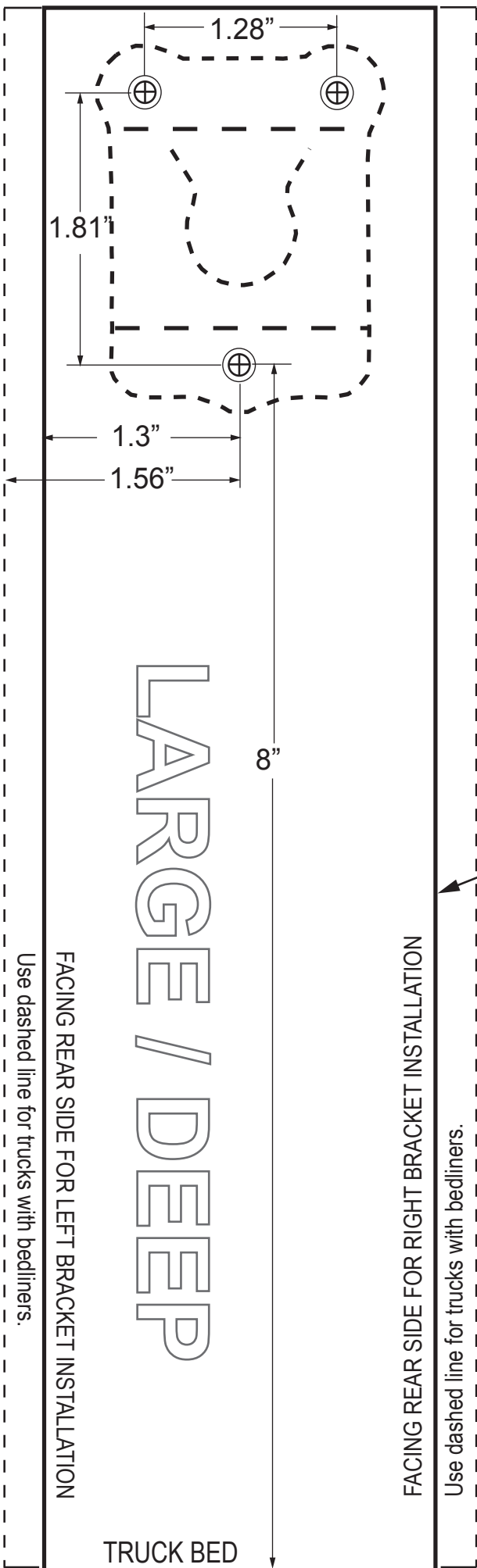
Be sure to read and precisely follow the provided instructions when installing this product. Failure to do so could place the vehicle occupants in a potentially dangerous situation. After installing or reinstalling, re-check to insure that the product is properly installed.





# Drill template for BEDXTENDER HD™ mounting brackets

NOTE: FOR TRUCKS WITH BEDLINERS, USE THIS TEMPLATE ON TOP OF BEDLINER. **DO NOT CUT BEDLINER!**



Drill template for BEDXTENDER HD™ mounting brackets

Cut or fold along solid lines.  
(Dashed lines for trucks with bedliners.)

