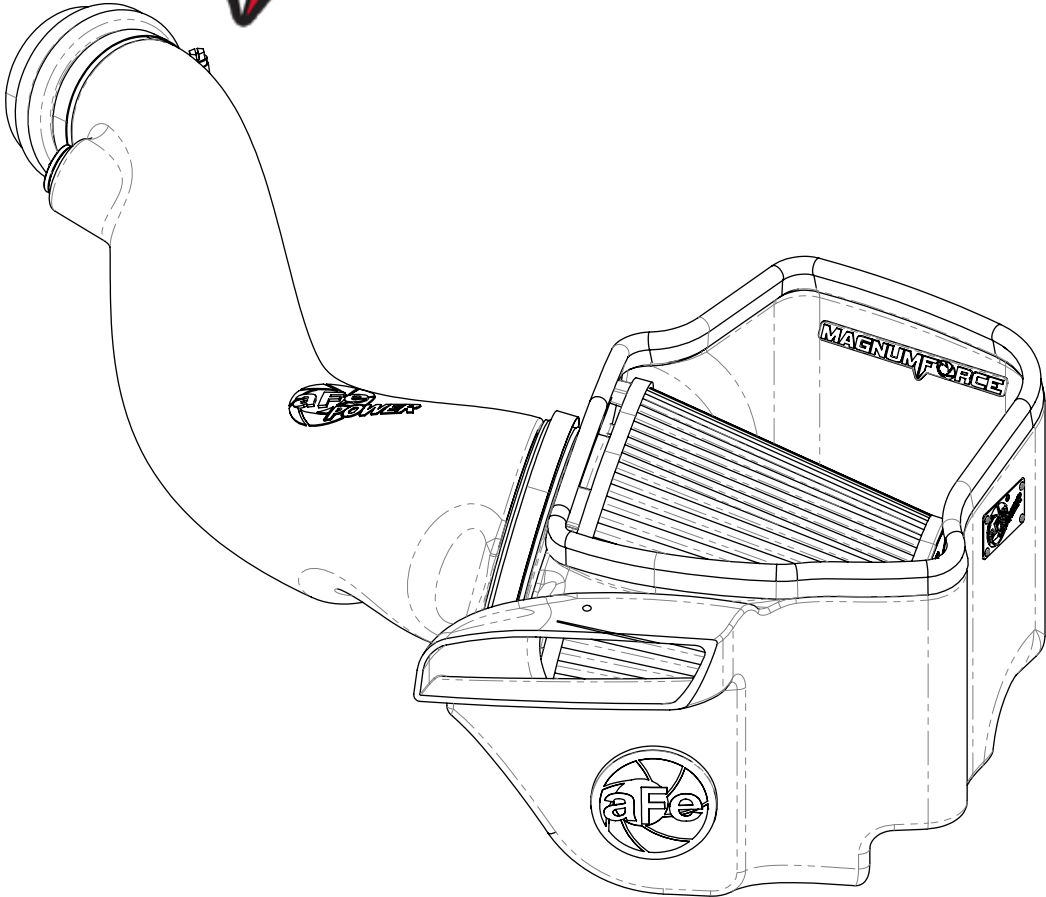


MAGNUM FORCE



advanced FLOW engineering Magnum FORCE Stage-2 Cold Air Intake System

Instruction Manual P/N: 54-13035D / 54-13035R

Make: **Jeep** Model: **Grand Cherokee (WK2)** Year: **2016-2021**
Make: **Dodge** Model: **Durango** Year: **2016-2021**

Engine: **V6-3.6L**
Engine: **V6-3.6L**



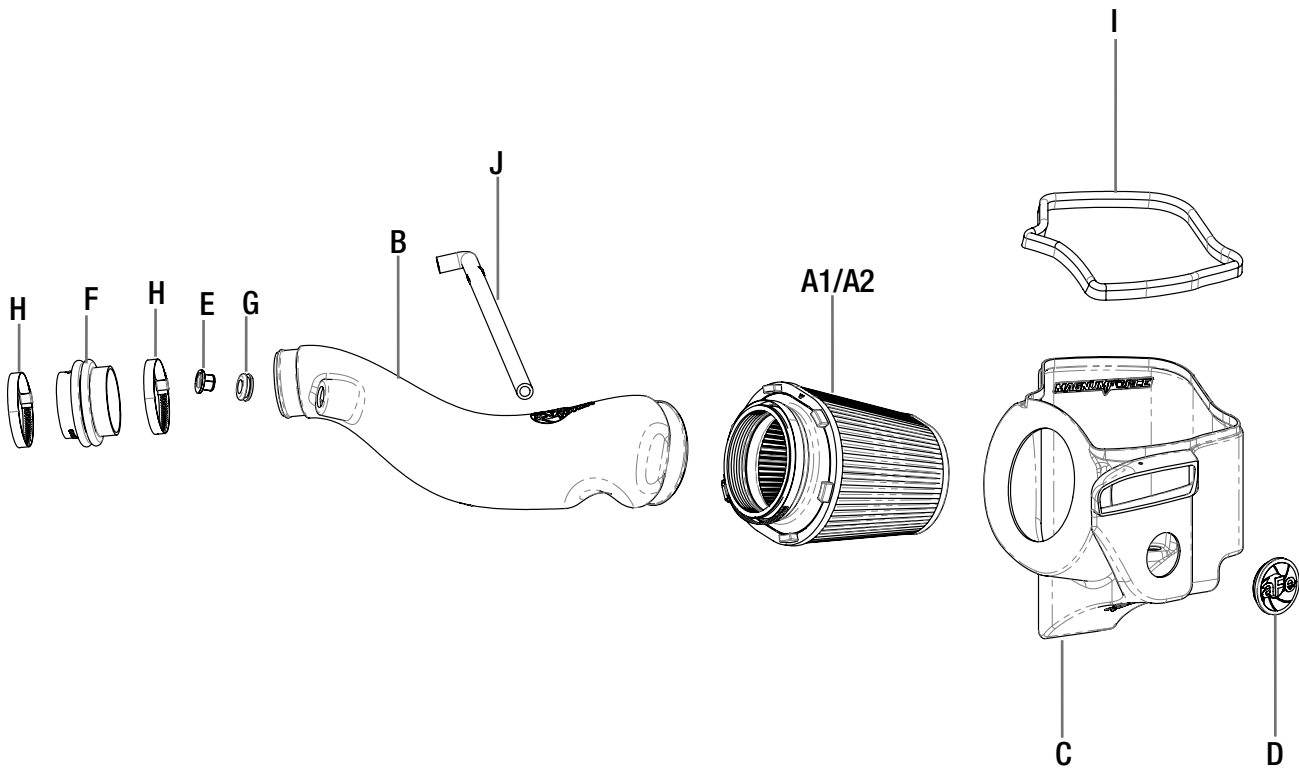
- Please read the entire instruction manual before proceeding.
- Ensure all components listed are present.
- If you are missing any of the components, call customer support at 951-493-7100.
- Ensure you have all necessary tools before proceeding.
- Do not attempt to work on your vehicle when the engine is hot.
- Disconnect the negative battery terminal before proceeding.

Retain factory parts for future use.

| Label | Qty. | Description | Part Number |
|-------|------|------------------------------------|--------------|
| A1 | 1 | Air Filter (Pro DRY S) | 21-91146 |
| A2 | 1 | Air Filter (Pro 5R) | 24-91146 |
| B | 1 | Tube | 05-5413035B1 |
| C | 1 | Housing | 05-5413023B2 |
| D | 1 | Plug, Silicone | 05-01482 |
| E | 1 | Fitting, Air Temp. Sensor | 05-01454 |
| F | 1 | Coupling, Silicone, Bellow Reducer | 05-01400 |
| G | 1 | Grommet | 03-50167 |
| H | 2 | Clamp, #052 | 03-50008 |
| I | 1 | Seal, Trim: 7/16" (34" inches) | 05-00072 |
| J | 1 | Hose, Silicone: 5/8" QD Female | 05-01595 |

Tools Required: Flat head screwdriver, 8mm & 10mm nut drivers.
Recommended: Panel popper.

Emissions Disclaimer: This product is not currently CARB exempt and is not available for purchase in California or for use on any vehicle registered with the California Department of Motor Vehicles.



**Figure A****Refer to Figure A for Steps 1-2**

Step 1: Pull up on the cover. ①

Step 2: With the 10mm nut driver, remove the factory screw ②, then carefully pull off the engine cover.



Figure B

Refer to Figure B for Steps 3-7

Step 3: Disconnect the temperature sensor harness from the temperature sensor by pinching and firmly pulling away (3).

Step 4: Detach the temp sensor harness from the factory intake (4).

Step 5: Remove the crank-case vent (CCV) hose from the factory airbox and tuck out of the way. (5)

Step 6: With the 8mm nut driver, loosen the band clamp at the throttle body. (6)

Step 7: If equipped, unclip the vent hose on the backside of the factory airbox.

**Figure C****Refer to Figure C for Steps 8-9**

Step 8: Carefully pull up and remove the trim seal on top of the factory intake scoop, along with 1-2 clips on either side. This helps with removing the factory airbox and installation of the aFe POWER housing. ⑦

Note: It may help to use a panel popper when pulling the clips.

Step 9: Pull the factory intake tube off the throttle body and pull up to remove the entire factory intake.



Figure D

FIGURE 1

Refer to Figure D for Steps 10-12

Step 10: Transfer the three factory rubber grommets from the factory airbox to the aFe POWER housing as shown in Figure 1. (8)

Step 11: Pre-assemble the aFe POWER housing by inserting the aFe POWER filter. (9)

Step 12: Install the supplied trim seal on the aFe POWER housing. (10)

**Figure E****Refer to Figure E for Steps 13-14**

Step 13: If desired, install the supplied aFe POWER plug. ⑪

Step 14: Install the housing assembly into the vehicle.

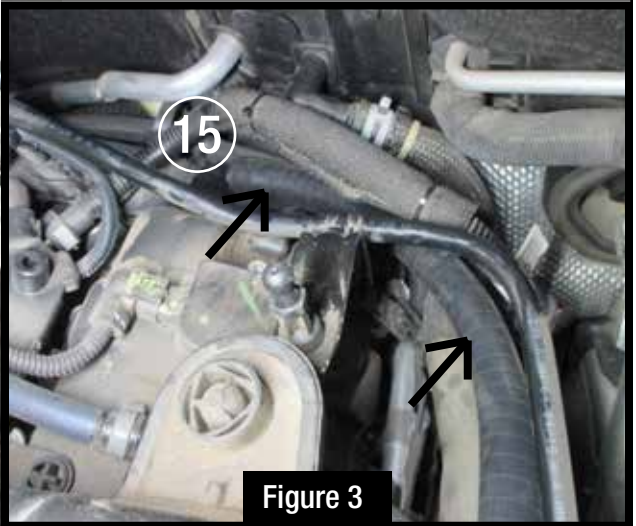
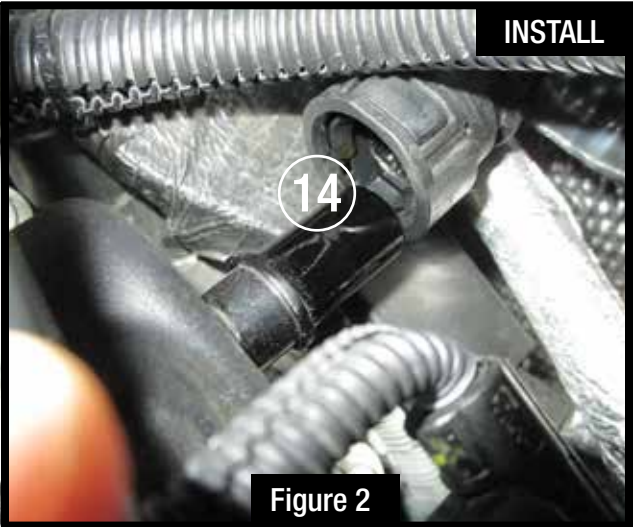
NOTE: Without the plug installed, the aFe POWER intake will capture the maximum air available. More airflow offers more power. Some of this air is picked up from inside the engine compartment and could be warmer air. Warmer air will affect the performance of the vehicle.



Figure F

Refer to Figure F for Step 15

Step 15: Pre-assemble the aFe POWER intake tube by inserting the supplied rubber grommet and temp sensor fitting. Transfer the temp sensor ⑫ from the factory tube to the fitting on the aFe POWER tube. Turn the temp sensor clockwise until it locks in place.



Refer to Figure G for Steps 16-18

Step 16: Follow the factory crankcase hose to the rear of the engine (13).

Step 17: Disconnect the hose from its mounting location (14) as shown in Figure 2.

Step 18: Once the factory crankcase hose is disconnected, replace it with the supplied aFe POWER hose by slipping the shorter end of the hose at the rear of the engine (15) as shown in Figure 3.

**Figure H****Refer to Figure H for Steps 19-20**

Step 19: Install the supplied coupling over the throttle body. Slide one clamp over the throttle body.

Tighten the clamp using an 8mm nut driver (16).

Step 20: Slip the other supplied clamp over the other end of the coupling, but do not tighten at this time.


Figure I
Refer to Figure I for Steps 21-26

Step 21: Insert tube into filter first. Then, rotate tube down and insert the other end into the coupling.

Align the tube to the filter and coupling, then tighten all clamps.

Step 22: Reconnect the temp sensor harness. (17)

Step 23: Connect CCV hose to aFe POWER tube. (18)

Step 24: Re-install rubber trim seal into factory locations and onto the aFe POWER housing. (19)

Step 25: Re-install engine cover.

Step 26: Check all the components are tight and secure. Your installation is now complete. Thank you for choosing aFe POWER.

NOTE: Check all bolts, clamps, and connectors after 100-200 miles.

Page left blank intentionally



Pro DRY S Air Filter



P/N: 21-91146

Pro 5R Air Filter



P/N: 24-91146

Pro DRY S Restore Kit



P/N: 90-59999

Blue Squeeze Restore Kit



P/N: 90-50501

Sprint Booster V3



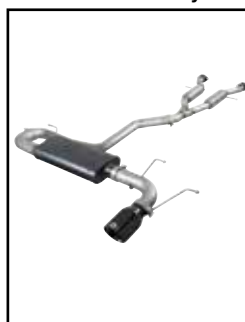
P/N: 77-16204

Oil Filter



P/N: 44-LF012

Cat-Back Exhaust System



P/N: 49-38078-B (Blk. Tips)
49-38078-P (Pol. Tips)

To purchase any of the items above, view airflow charts, dyno graphs, photos, and video; please go to aFepower.com.

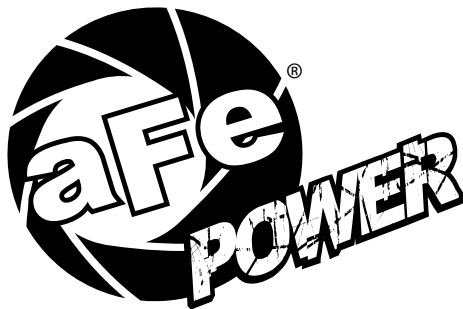
Warranty

General Terms:

- aFe warrants their products to be free from manufacturer's defects due to workmanship and material.
- This warranty applies only to the original purchaser of the product and is nontransferable.
- Proof of purchase of the aFe product is required for all warranty claims.
- Warranty is valid provided aFe instructions for installation and/or cleaning were properly followed.
- Proper maintenance with regular inspections of product is required to insure warranty coverage.
- Damage due to improper installation, abuse, unauthorized repair or alteration is not warranted.
- Incidental or consequential damages or cost, including installation and removal of part, incurred due to failure of aFe product is not covered under this warranty.
- All warranty is limited to the repair and/or replacement of the aFe part. To request Return Goods Authorization ("RGA"), email RGA@afepower.com or call (951)493-7100. Upon receipt of the RGA, you must return the product to the address provided in the RGA, freight prepaid and accompanied with a dated proof of purchase and the RGA. Upon receipt of the defective product and upon verification of proof of purchase, aFe will either repair or replace the defective product within a reasonable time, not to exceed thirty days.

| Product Category | P/N Prefix | Warranty duration |
|----------------------------------|--|--------------------------|
| Direct OE Replacement Filters | 10, 11, 30, 31, 71, 73 | Life of the vehicle |
| Racing Filters | 18 | 1 year |
| Universal | 21, 23, 24, 72 | 2 years |
| Air Intake Systems | 50, 51, 52, 53, 54, 55, 56, 57, 58, 75 | 2 years |
| Exhaust Systems | 49 | 2 years |
| Intercoolers & Intercooler Tubes | 46-2 | 2 years |
| Intake Manifolds | 46-1 | 2 years |
| Differential Cover | 46-7 | Life of the vehicle |
| Exhaust Manifolds | 46 | 2 years |
| Throttle Body Spacers | 46-3 | 2 years |
| Fluid Filters | 44 | 90 days |
| Pre-Filters | 28 | 2 years |
| Heavy Duty OE Replacement | 70 | 2 years |
| PowerSports OE Replacement | 81, 87 | 2 years |
| PowerSports Intake Systems | 85 | 2 years |

No other warranty expressed or implied applies nor is any person or advanced FLOW engineering authorized to assume any other warranty. Some States do not allow the exclusion or limitation of incidental or consequential damages or do not allow limitations on how long an implied warranty lasts, so the above limitations or exclusions may not apply to you. This warranty gives you specific legal rights, and you may also have other rights which vary from State to State.



advanced FLOW engineering, inc.
252 Granite Street Corona, CA 92879
TEL: 951.493.7100 • TECH: 951.493.7134
E-Mail: Tech@aFepower.com