



Installation Instructions & User's Manual



www.VISIONXUSA.com

VISION X XMITTER



About the XMITTER:



FEATURES

1. Original Light Bar with Seamless Beam
2. Used by NASA, Border Patrol, Pro Racers
3. Infrared, Amber, Red, Blue, and Green Available

XMITTER SERIES SPECIFICATIONS

1. Warranty : Extended
2. Amp Draw : 1A - 25A (@12V)
3. Input Voltage : 9-42V
4. Beam Patterns : Euro, Flood
5. LED Lifespan : 50,000 Hours

PREPARATION

1. We recommend completely reading instructions before installing.
2. Consult your local state regulatory agency regarding the use of LED lighting.
3. The placement of LED lighting should not restrict airflow to the radiator, or block head lamps, turn signals, or parking lights.

MAINTENANCE

1. All Vision X models have been designed for maintenance free use. In the case an LED lamp or other part replacement is needed please contact your authorized service center.

1 LED Light Bar



MOUNTING Qty: 1

2 One Light Harness




WIRING Qty: 1

3 Mounting Foot



PART (M1) QTY Varies

4 Allen Key (5mm)



PART (M5) Qty: 1

MOUNTING FEET BY NUMBER OF LEDS

	4LED	8LED	12LED	20LED	32LED	40LED	60LED	80LED	100LED
# of Feet	1	2	2	2	3	3	4	4	6

WARNINGS

1. Don't stare directly into the light or shine directly into the eyes of another person as this may cause temporary loss of vision.
2. Never disassemble the products, as all parts must be factory serviced to insure proper operation.
3. After turning on the light, the body might be hot enough to warrant a burn risk. Be careful when you touch the body after turning on the light for a long period of time.
4. Use the supplied wire harness for electrical installation.
5. The LED light must not adversely affect the performance of low beam, high beam, engine cooling or the driver's view.

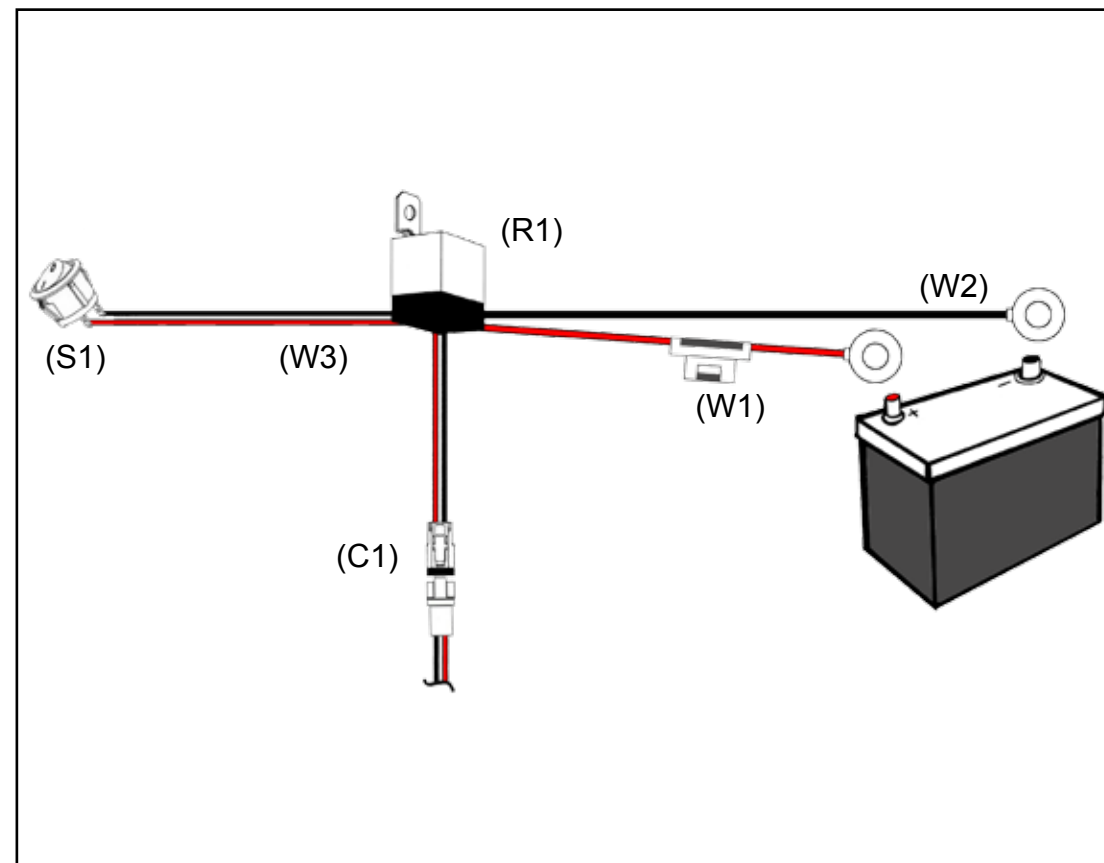


WIRING INSTALLATION

1. Find a suitable place to mount Relay [Part R1] leaving enough room for Power & Ground Wire [Parts W1 & W2] to reach the Battery & the Deutsch Connector Wiring [Parts C1] to reach the Light. Mount Relay.
2. Run Power Wire [Part W1] & Ground Wire [Part W2] to the Battery. Connect the Power Wire [Part W1] to the Positive (+) Battery Terminal and connect the Ground Wire [Part W2] to the Negative (-) Battery Terminal.
3. Run the Deutsch Connector Wiring [Parts C1] to each Light and Plug in. It doesn't matter which Deutsch Connector plugs into which Light.
4. Unplug Power Wire [Part W3] from the Toggle Switch [Part S1]. Run Power Wire [Part W3] to the Vehicles Fire Wall at the point that you will bring the Wire through to the inside of the Cab (using a Factory Rubber or Plastic Grommet is suggested). Run Power Wire [Part W3] to the inside of the Cab. Note: This Wire can be extended if necessary.
5. Find a suitable place to Drill the Hole needed to mount the Toggle Switch [Part S1] and Continue to run the Power Wire [Part W3] to that location. Plug the Power Wire [Part W3] into Outside Pin of Toggle Switch [Part S1]. It doesn't matter which Outside Pin you use.
6. Drill the Hole to the required size for the Toggle Switch [Part S1]. Mount Toggle Switch [Part S1] to in desired position.

MANUFACTURER RECOMMENDATION

For those unfamiliar with electrical wiring on vehicles, Vision X recommends that all LED Lighting products are professionally installed.



COMPONENTS KEY

- Part (R1) Relay
- Part (W1) Power Wire for Relay Coil
 - a. 12 Volt Negative (-) Input Wire
- Part (W2) Ground Wire for Relay Coil
 - a. 12 Volt Positive (+) Input Wire
- Parts (C1) Deutsch Connectors for Lights
 - a. Attached to 12 Volt Positive (+) Power Wire
- Part (W3) Power Wire for Relay Input
 - a. 12 Volt Positive (+) Input Wire [Part R1]
- Part (S1) Toggle Switch

VISION X XMITTER



MOUNTING INSTALLATION FOR FEET

1. Start by setting the light bar in the location that you plan to mount it in. Mark each end of the light bar and measure the length.
2. Depending on the length of your light bar, you will have a certain number of mounting feet [F1] included in the packaging. These feet fit into grooves on the back of the light bar. (See Figure 1)
3. Place each mounting foot [F1] (with bolt head pointing into light bar) into the feet grooves on the back of the light bar. (See Figure 2)
4. Mark the location of each mounting feet on your vehicle. Drill holes for each. The feet can slide inside the grooves, letting you fine tune the location.
5. Remove the nut from the feet bolt, and place the light bar onto your vehicle, line up the bolts with the previously drilled holes. (See Figure 2)
6. Securely tighten the nut to the mounting feet bolt.



Disassembled Foot Mount, included with every Vision X LED Light Bar. Comes assembled.

LIGHT ANGLE ADJUSTMENT

1. For the Wing Mount option, simply loosen the bottom wing nut (Fig. 4) on each end and rotate light bar to desired angle. Fasten when completed.
2. For the Feet Mount option, use the provided allen wrench to loosen both the Allen bolts on each side the light bar. Once desired angle is achieved, tighten the bolts.
3. A good reference point is at 20 ft; the top of the beam should be 3" down from center of light (with the light bar at dead center). Tighten light and enjoy.

INSTALLATION IMAGES



Fig. 1

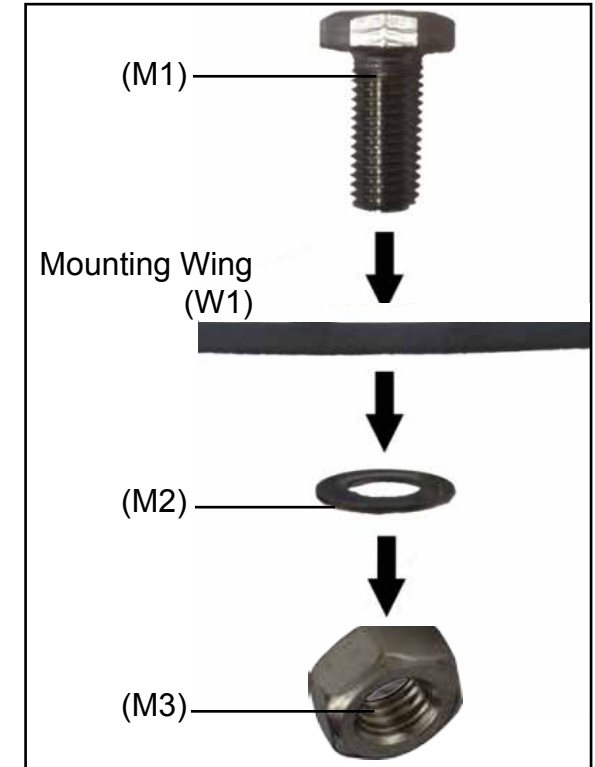


Fig. 3



Fig. 3

MOUNTING INSTALLATION FOR WINGS



TIP: Vision X recommends the use of liquid thread-locker, or Loctite, to ensure that every bolt and nut are safely secured.

WARNING: Bolts, Nuts, and Washers are Stainless Steel. DO NOT USE Pneumatic or Electric Tools to Tighten and Loosen. The Hardware Will Permanently Lock Together.





You May Also Be Interested In:



Part # - 9890975
Item # - XIL-OEH0713JK
Jeep JK Vehicle Specific Hood Mount Bracket (*visit
www.visionxusa.com for a full list of vehicle specific products*)



Part # - 4006522
Item # - XIL-B150
Billet Tube Mount
(0.75"-2.0" Diameter Available)



Part # - 4000308
Item # - XIL-LICENSEP
License Plate Bracket for Lights
up to 20"



Part # - 9892313
Item # - XIL-WINCH6
Light Bar Winch Fairlead 6"
Bracket



Part # - 9888811
Item # - XIL-LPECM
Lo Pro Series Light Bar End Cap
Mount Bolt Set