



INSTALLATION INSTRUCTIONS
2003-07 GMC Sierra Classic 2500/3500 HD
Part # 45-1260, 40-1265

PART LIST

1	Grille Guard
2	Frame Mounting Brackets
2	Top Support Braces
8	M12 Flat Washer, Stainless Steel
8	M12 Flat Washer, Yellow Zinc
4	M12 Hex Nut, Stainless Steel
4	M12 Hex Nut, Yellow Zinc
4	M12 Lock Washer, Stainless Steel
4	M12 Lock Washer, Yellow Zinc
4	M12*40 Hex Head Bolt, Stainless Steel
4	M12*40 Hex Head Bolt, Yellow Zinc
4	M6 Flat Washer, Stainless Steel
2	M6 Hex Nut, Stainless Steel
2	M6 Lock Washer, Stainless Steel
2	M6*20 Hex Head Bolt, Stainless Steel
2	M8 Flat Washer, 7mm Thick, Yellow Zinc
4	M8 Flat Washer, Yellow Zinc
2	M8 Hex Nut, Yellow Zinc
2	M8 Lock Washer, Yellow Zinc
2	M8*40 Hex Head Bolt , Yellow Zinc

Note: Westin Automotive advises the installer to use a thread lubricant on all stainless steel fasteners.

INSTALLING FRAME BRACKETS

1. Remove contents from box and verify all parts are present. Red instructions completely before beginning.
2. Remove factory tow hooks from front section of vehicle (if equipped). Once the tow hooks are removed, proceed to install the frame brackets. Use illustration 1 to identify the correct bracket for each side. The brackets fit inside of the frame as shown in **illustration 2**. The holes used to fasten the tow hooks to the frame will be used to fasten the brackets.
3. Insert the brackets inside the frame and align the bracket holes with the frame holes. Fasten (tight) using the Yellow Zinc M12*40 hex head bolts, M12 hex nuts, M12 flat washers, and M12 lock washers as shown in **illustration 2**.

INSTALLING THE GRILLE GUARD

1. Line up the 2 back holes on the lower portion of the Grille Guard with the 2 holes on the frame brackets (inner edge). Attach Grille Guard using Stainless Steel M12*40 hex head bolts, M12 hex nuts, M12 flat washers, and M12 lock washers; hand tighten only.
2. Open hood and remove the rivets, securing the top plastic trim panel (temporarily), from the vehicle to access the factory bumper bolts.
3. Proceed to install upper support brackets. Secure top support brackets to existing bumper holes using the M8*20 hex head bolts, M8 hex nuts, M8 flat washers, and M8 lock washers. Using the M6*20 hex head bolts, M6 hex nuts, M6 flat washers, and M6 lock washers, attach top support braces to the back of the grille guard center flange as shown in **illustration 3**.
4. Align grille guard assembly with front of the vehicle and secure all fasteners.
5. Re-attach the plastic trim panel.

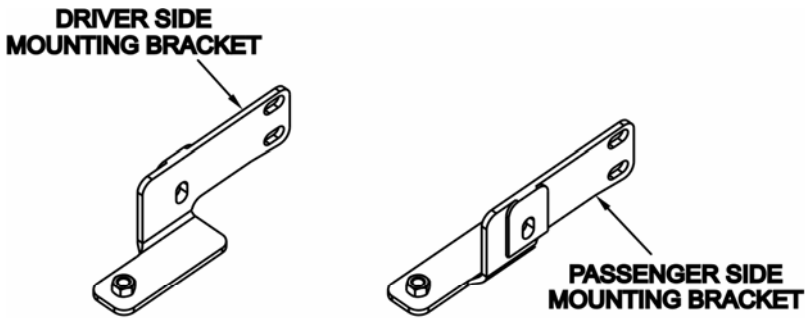
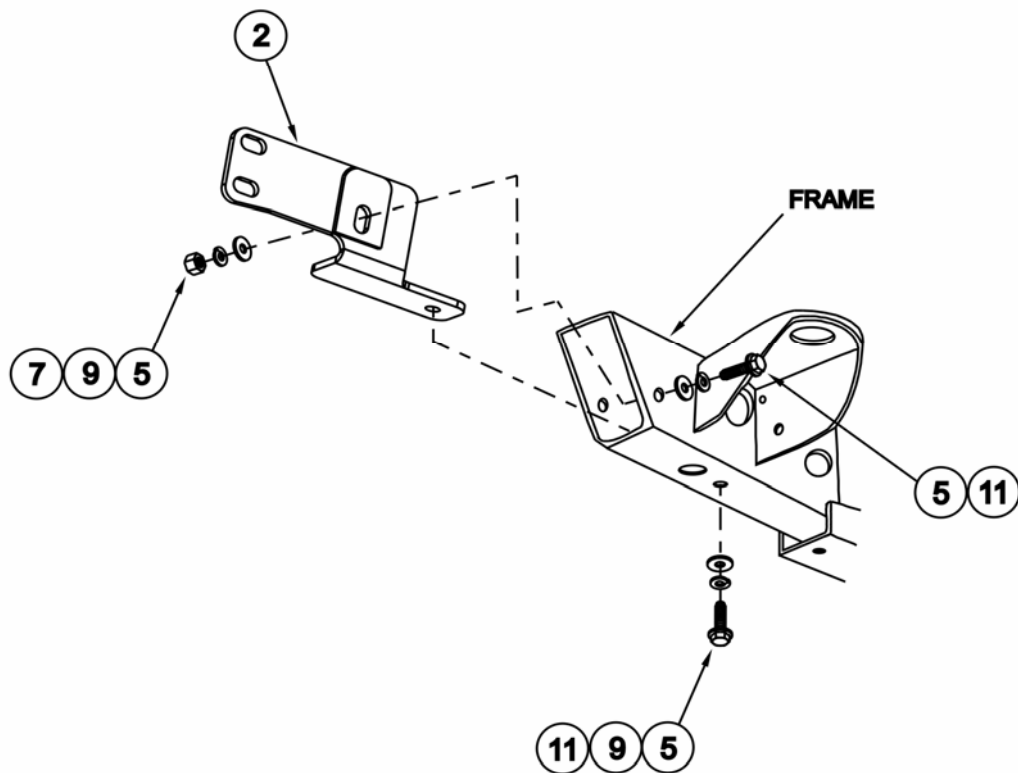


ILLUSTRATION 1



**ILLUSTRATION 2
INSTALLATION VIEW OF DRIVER SIDE**

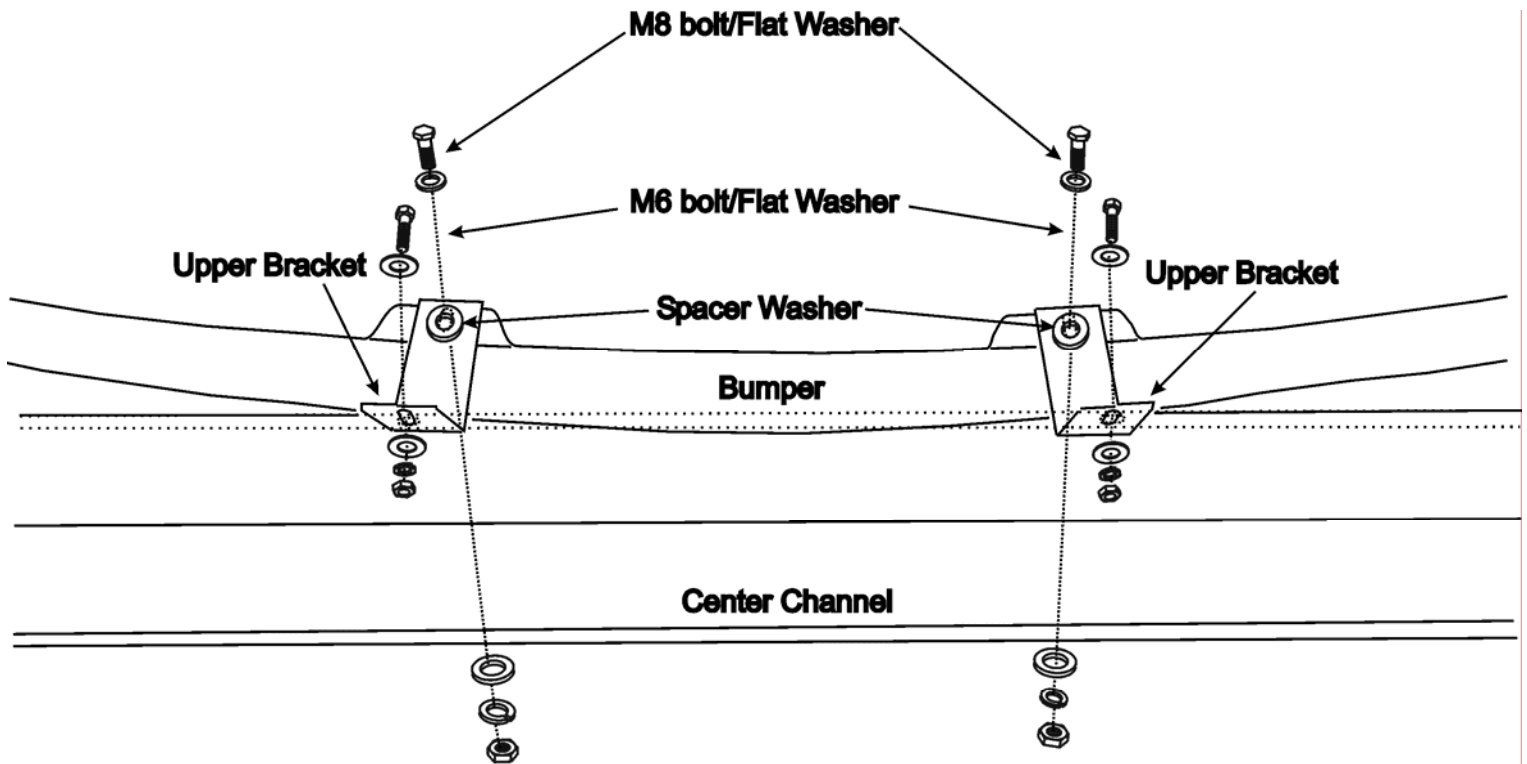


ILLUSTRATION 3



Westin Automotive Products, Inc.
 5200 N. Irwindale Ave. Suite 220
 Irwindale, Ca. 91706

Thank You for choosing Westin products
 For additional installation assistance please call
 Customer service (800) 793-7846 or (507) 375-3559