

INSTALLATION INSTRUCTIONS

CUSTOMER SERVICE

Phone: 866-900-8800 • 8:30 am - 5:00 pm Mon - Fri CST

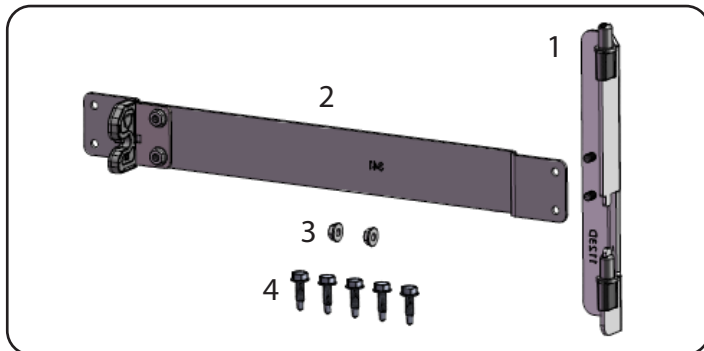
Email: info@undercoverinfo.com



Installation Guide

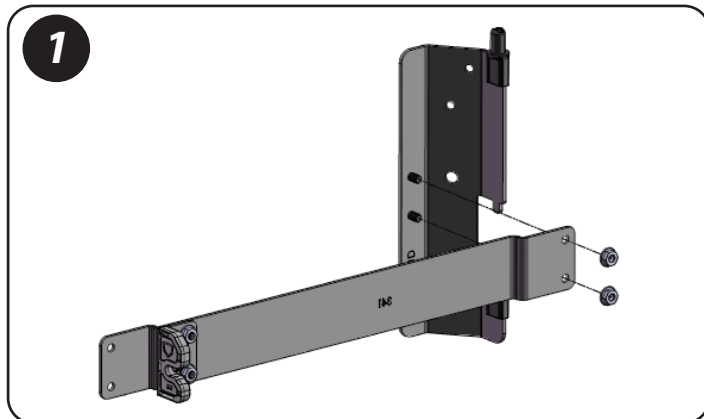


SC601P - Passenger Side Isuzu D-Max 2020-2024

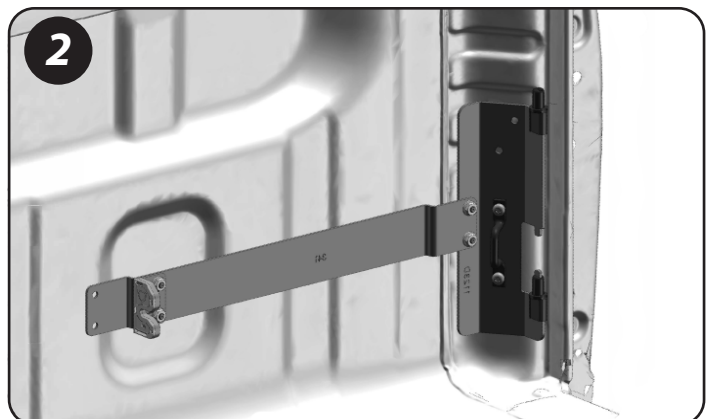


Hardware Included

1. Truck Bracket
2. Striker Bracket
3. Assembly Nuts (qty 2)
4. Mounting Screws (qty 5)



1. BRACKET ASSEMBLY - Attach the striker bracket to the truck bracket using the two (2) assembly nuts.



2. INSTALLING MOUNTING BRACKET ASSEMBLY - Remove the factory Isuzu tie down (T40 bit). Position the bracket to the light well area, line up the holes and re-install the factory tie down using the factory hardware.

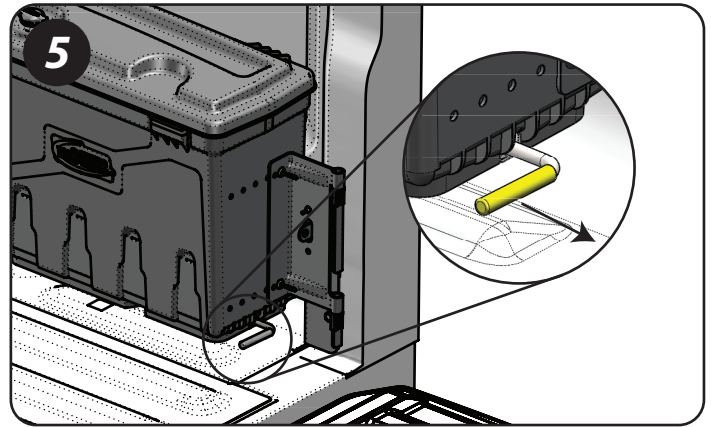
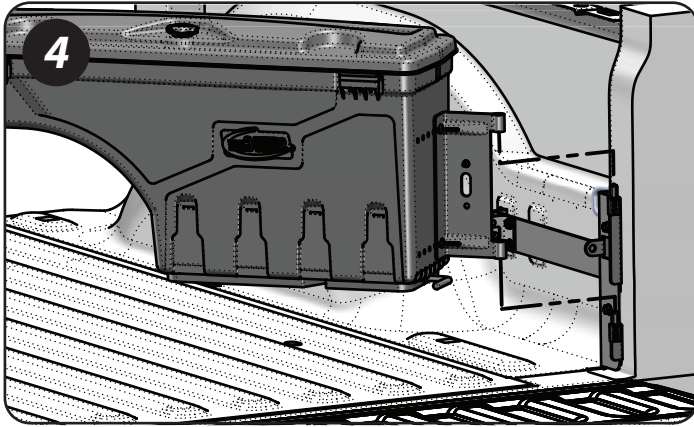


Note: Must remove tie down, and reinstall with bracket.

3. INSTALLING MOUNTING BRACKET ASSEMBLY (continued)
Using the five (5) self drilling screw install the bracket according to drawing 2. Be careful not to overtighten and strip out the holes.



Installation Guide - Continued



4. INSTALLING SWING CASE

Lower the box onto the hinge pins and gently push the box to the stowed position.

5. OPERATION AND ADJUSTMENT

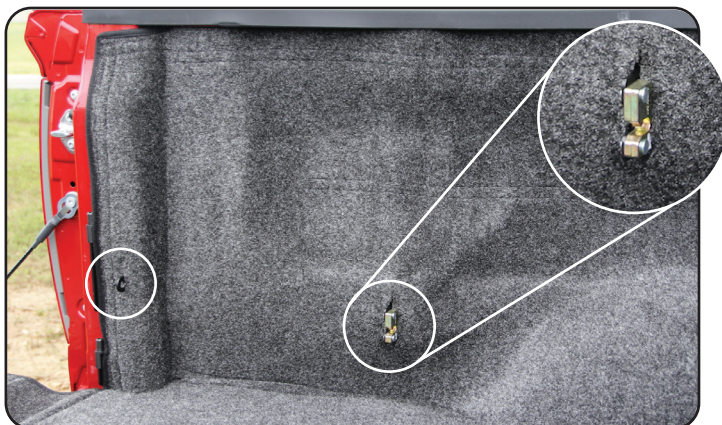
Pull the latch rod and swing through the full motion making sure it operates freely and latches easily. Do not slam the box to stow it, if it will not latch easily it be necessary to make some minor adjustments. may The latch has slotted holes, just loosen the twoadjust as needed. Be sure to blow or sweep the bolts and metal shavings out of the truck bed.



• FOR TRUCKS WITH PLASTIC BED LINERS

For trucks with plastic bed liners it will be necessary to trim the liner. DO NOT INSTALL THE BRACKETS ON TOP OF THE BEDLINER. The brackets will not fit over the plastic bedliner, the brackets must be attached directly to the sheet metal. Hold the brackets up against the bedliner in their approximate location. Using a grease pencil, mark lines to indicate where to cut the bedliner. Once

you have finished trimming your bedliner, install the brackets per the instructions in Steps 1 through 5. Due to the fact that all the brands of bed liners fit differently we can not provide exact instructions as how much of your liner to trim. These pictures are only an example and may not accurately depict your specific situation.

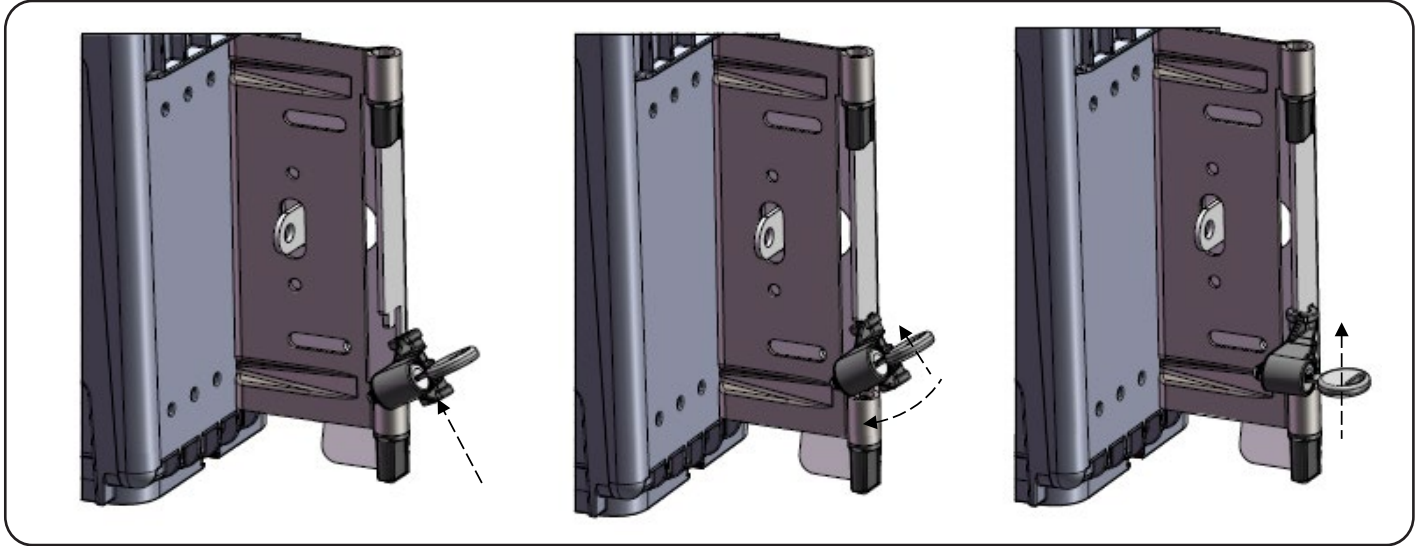


• FOR TRUCKS WITH BED RUGS

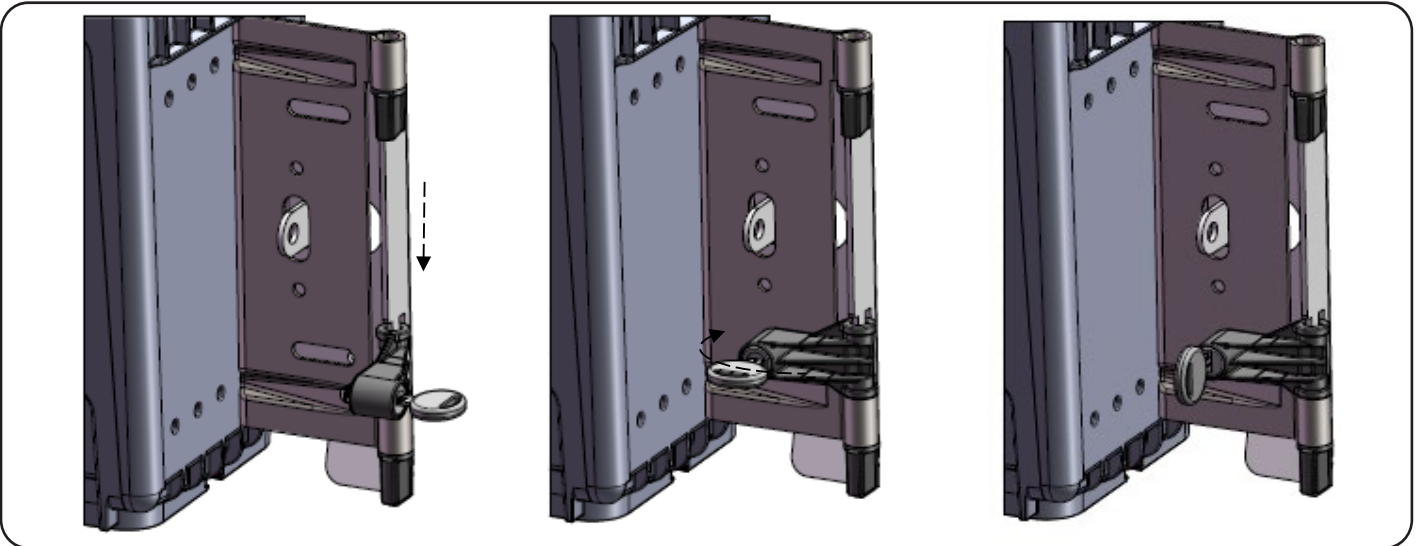
For trucks with Bed Rugs it will be necessary to cut slots in the material. WE DO NOT RECOMMENDED TO INSTALL THE BRACKETS ON TOP OF THE BED RUG. Most of the brackets will fit under the bed rug, pull the Bed Rug loose from the corner, remove any hook and loop strips that may be in the way of the brackets, and install the brackets per instructions in Steps 1 through 5. Push the rug around the latch bracket and cut a slot to allow it to stick through. Push the rug around the pad lock piece and cut a slot to allow it to stick through. It may be necessary to remove the rubber bumper from the bracket assembly. You will need to re-attach the Bed Rug to the truck bracket at the light well using the existing hook and loop strips.



Pivot Lock Installation



Insert the supplied pivot lock at an angle in between the lower tab and the top of the lower pivot bushing. While pushing upward on the pivot lock, rotate the pivot lock into position over the top over the lower pivot bushing.



Once the pivot lock is over the top of the pivot bushing, slide the pivot lock down against the top of the pivot bushing, then rotate the pivot lock towards the box bracket, so that the pivot lock is against the bracket and lines up with the slotted hole in the bracket. Rotate the key 90 degrees into the locked position. Once the pivot lock is in the locked position, this will allow the user to still pull the release handle and swing the case out over the tailgate. The pivot lock will prevent the case from being fully removed.



User Guide - Warranty

Thank you for purchasing the Swing Case!

- Read instructions completely before installing your Swing Case to your truck.
- The Swing Case is designed for trucks that do not have a bedliner (spray in bedliners pose no problem). Trucks that do have plastic drop in bedliners or Bed Rugs will require some trimming of the liner to ensure proper fit of the brackets. We provide some guidelines for installing with liners, however due to the wide variety of liner manufacturers, the modifications will vary. Any modifications must be made to the liner and NOT to the Swing Case mounting hardware. Modifications to the mounting hardware could result in improper installation and will void your warranty.
- The Swing Case is left and right specific. They will not interchange.
- The Swing Case will not work with bed extenders.
- The Swing Case will work with most tonneau covers. If you have any questions regarding your installation, please contact our customer service team at the number below.



Warning: Chemicals that are NOT labeled safe for use with plastics should NOT be stored in the Swing Case. Some chemicals such as insect repellents, brake fluid and solvents can potentially damage the plastic. Doing so may void the warranty.



Swing Case - 1 Year Limited Warranty

Terms of this Warranty. The manufacturer warrants that the ABS polymer structure of your Swing Case will be structurally free from defects in material and workmanship for one (1) year from the retail date of purchase. The lock, hinges, and hardware are warranted to be free from defects in material and workmanship for one (1) year from the retail date of purchase. This warranty applies only to the original purchaser and is nontransferable. Your original sales receipt will serve as proof of purchase for this warranty. Be sure to retain your receipt for your proof of purchase date. Before credit can be issued on a warranty claim, proof of defect may be required. This can be determined at the time of the claim.

Exclusions of this Warranty. Not covered under this warranty is failure due to neglect, improper installation including any modifications to installation hardware, alterations, addition of equipment, abuse, accident, weather related damage, exposure to chemicals that are not labeled "safe for plastics," and normal wear from lack of maintenance.

Caution. Always read the ingredients of any product you are using to clean your Swing Case. Make sure that you use only products that are safe for use with plastics. Many chemicals contain material that will permanently discolor your Swing Case. This is not considered a manufacturer defect.

Owner Responsibilities. Incidental or consequential damage or loss of contents due to use, neglect, lack of maintenance, misuse, or abuse of the Swing Case is the sole responsibility of the truck owner and operator. Paint damage to your truck is not covered under this warranty. When operating your truck, always keep the Swing Case in the stowed position with the lid closed and latched.

Repair and Replacement. In the event that your Swing Case is found to be defective under the terms of this warranty, it is at the manufacturer's discretion to repair or replace the defective part. All repairs must be made by an authorized Swing Case dealer or under the direction by the factory. In the case of either event, we are not responsible for any transportation costs associated with the warranted claim.

Maintenance & Care. The ABS polymer body of your Swing Case requires only periodic cleaning with mild car wash soap. **ONLY USE CLEANERS, WAXES OR PRODUCTS THAT ARE LABELED "Safe for use on plastics."** Do not let chemicals or substances come into contact with your Swing Case, unless labeled "safe for plastics." Avoid use of all abrasive type cleaners as they may dull the finish. Be sure that products such as OFF® or other insecticides do not get onto the Swing Case from contact with your hands or other parts of your body. This could cause serious damage and discoloration.