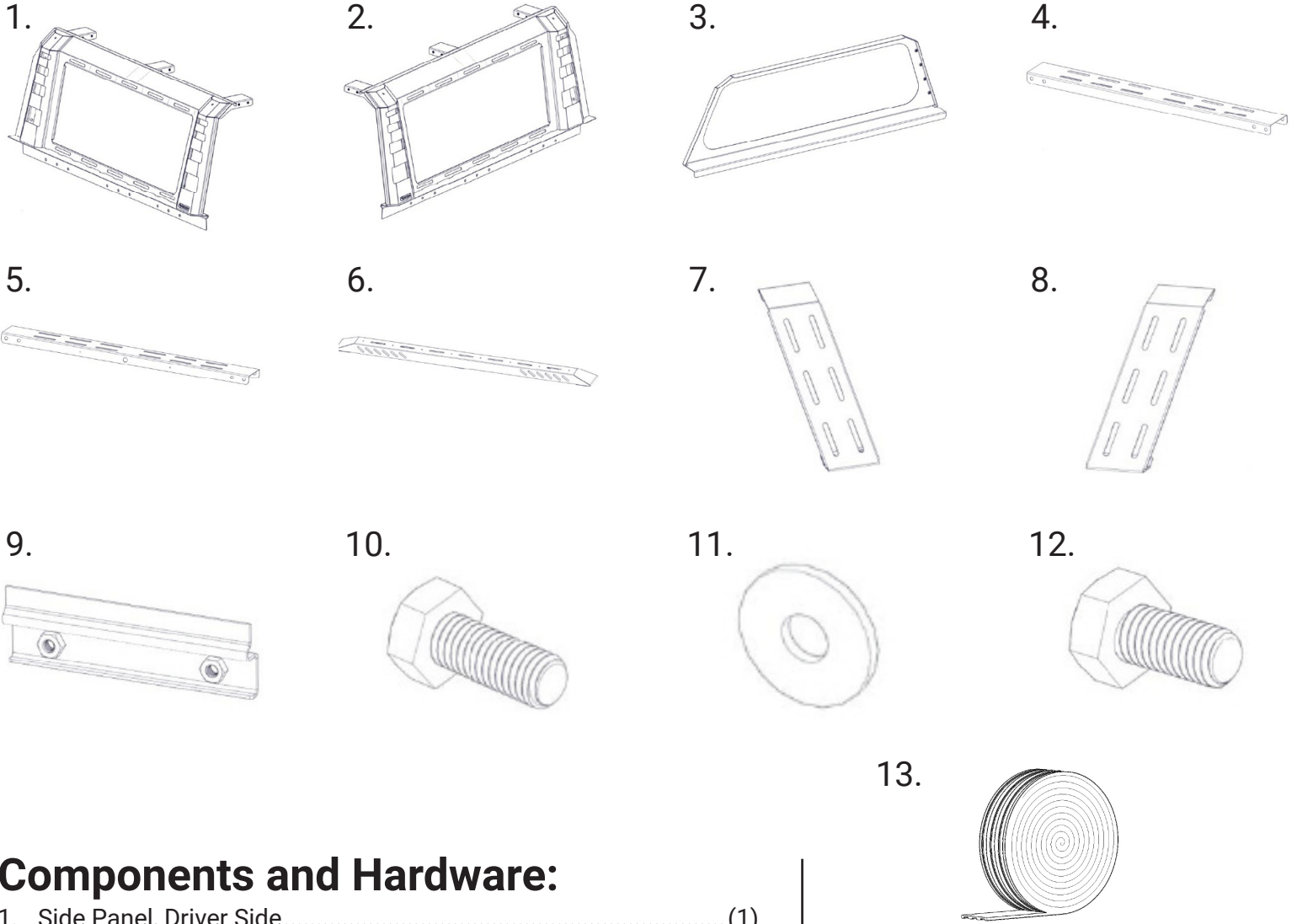


**Components and Hardware:**



**Components and Hardware:**

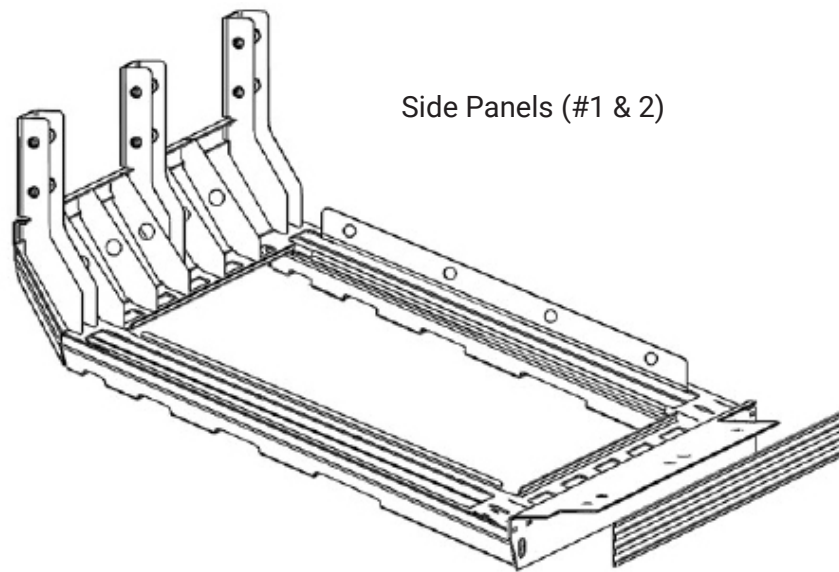
1. Side Panel, Driver Side.....	(1)
2. Side Panel, Passenger Side.....	(1)
3. Cab Panel.....	(1)
4. Crossmember.....	(1)
5. Crossmember, Rear.....	(1)
6. Top Support Member.....	(2)
7. Side Accessory Bracket, Driver Side.....	(2)
8. Side Accessory Bracket, Passenger Side.....	(2)
9. Bed Wall Mount Bracket.....	(6)
10. M8 X 1.25 X 20mm Bolt.....	(56)
11. M8 Washers.....	(64)
12. M8 X 1.25 X 16mm Bolt.....	(8)
13. Rubber Seal.....	(Roll)
14. RT298518-3 - 3rd Brake Light and Wiring Kit.....	(1)

**Tools for Installation:**

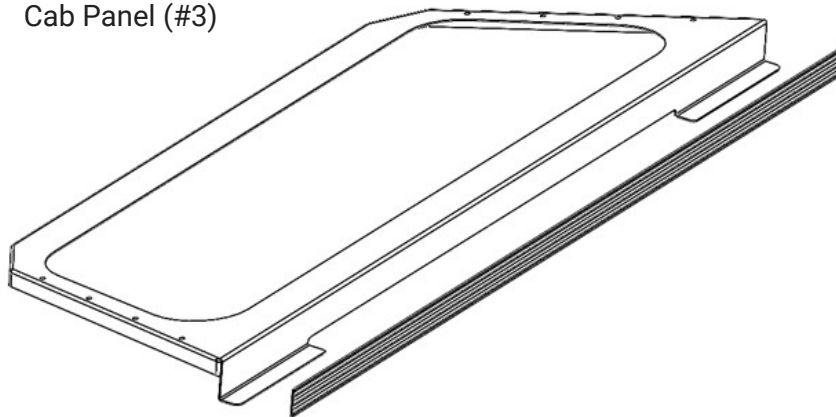
- Torque Wrench
- Pliers
- 13mm Wrench
- Scissors or Cutting Tool
- Mild Soap
- Glass Cleaner
- Isopropyl Alcohol
- Cleaning Rags

**Ascend Rack****Prior to assembly - Rubber Seal**

Measure the length of the bottom flange on both Side Panels (#1 & 2) and the Cab Panel (#3). Unroll the included Rubber Seal (#13) then cut to the length measured for each panel. Remove the adhesive film then firmly press the Rubber Seal (#13) onto each bottom flange.



Cab Panel (#3)



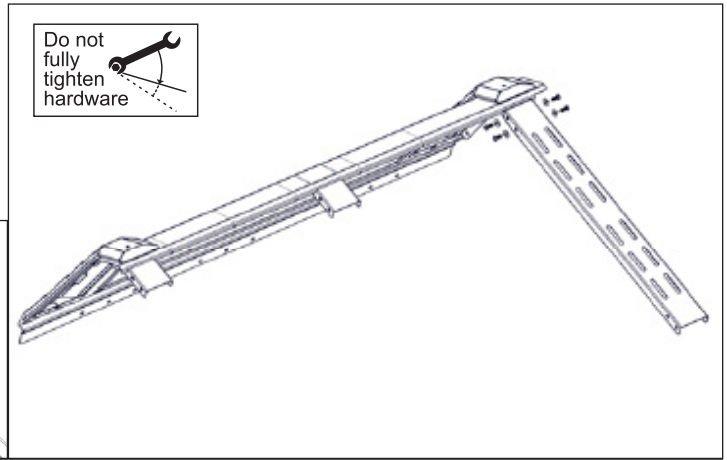
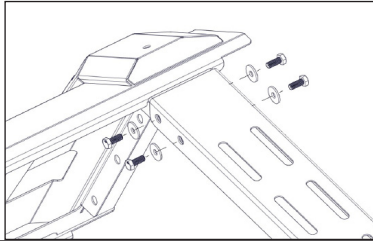
# Ascend Rack



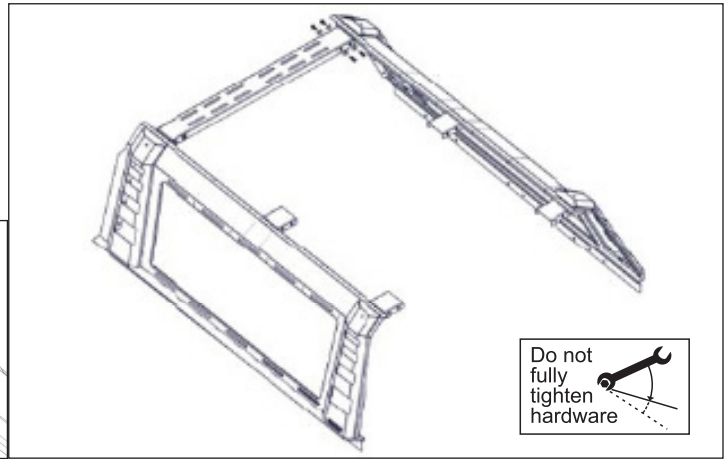
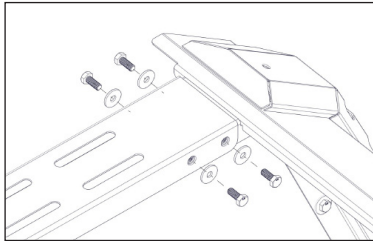
This installation recommends two people for lifting and assembly

## Assembling Ascend Rack

1. Starting in the front/cab, install Crossmember, Cab End (#4) to Side Panel, Driver Side (#1) with 2 M8 x 1.25 x 20mm Bolts (#10) and 2 M8 Washers (#11). Loosely fasten.

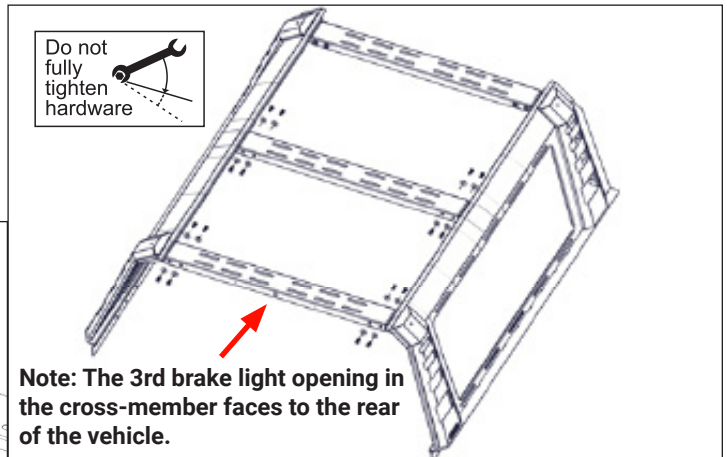
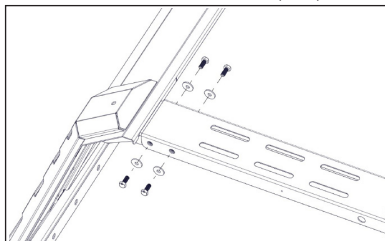


2. Install Side Panel, Passenger Side (#2) to Crossmember, Cab End from Step 1 with 2 M8 x 1.25 x 20mm Bolts (#10) and 2 M8 Washers (#11). Loosely Fasten.



3. Working your way toward the rear/tailgate, install Crossmember, Middle (#4) to Side Panel, Driver Side (#1) from Step 1 and Side Panel, Passenger Side (#2) with 2 M8 x 1.25 x 20mm Bolts (#10) and 2 M8 Washers (#11). Loosely fasten.

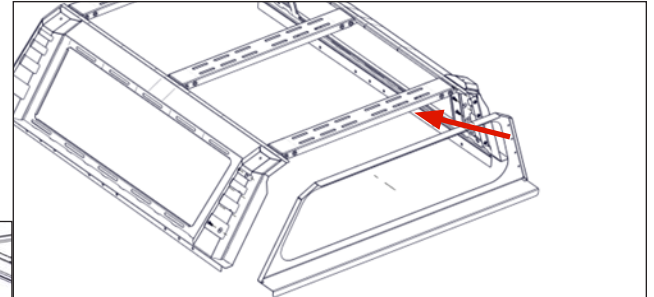
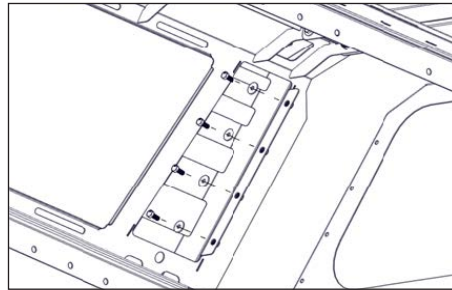
Install Crossmember, Tail End (#5) to Side Panel, Driver Side (#1) from Step 1 and Side Panel, Passenger Side (#2) from Step 2 with 2 M8 x 1.25 x 20mm Bolts (#10) and 2 M8 Washers (#11) on each side. Loosely fasten.



# Ascend Rack

4. Install Cab Panel (#3) to front of Side Panel, Driver Side (#1) from Step 1 and Side Panel, Passenger Side (#2) from Step 2 with 4 M8 x 1.25 x 20mm Bolts (#10) and 4 M8 Washers (#11) on each side. Tighten the front crossmember bolts and leave the rest of the hardware loosely secured.

Start with the top bolt holes first to help hold the panel in position and bring in the side panels to align the rest of the holes.

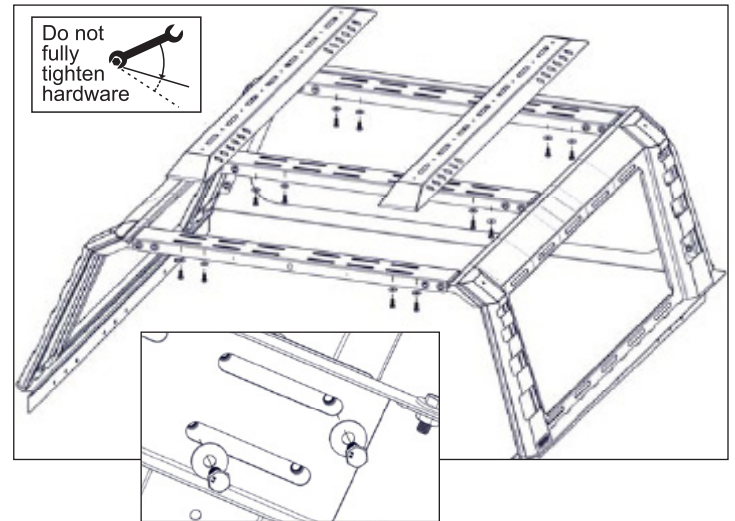


**Note:** You must tighten the bolts on the front side of the front crossmember now. They will not be accessible once the Cab Panel is attached.

5. Install the 2 Top Support Members (#6) to the top of the rack using 4 M8 x 1.25 x 20mm Bolts (#10) and 4 M8 Washers (#11) on each support member. Loosely fasten.

## Preparing the Truck

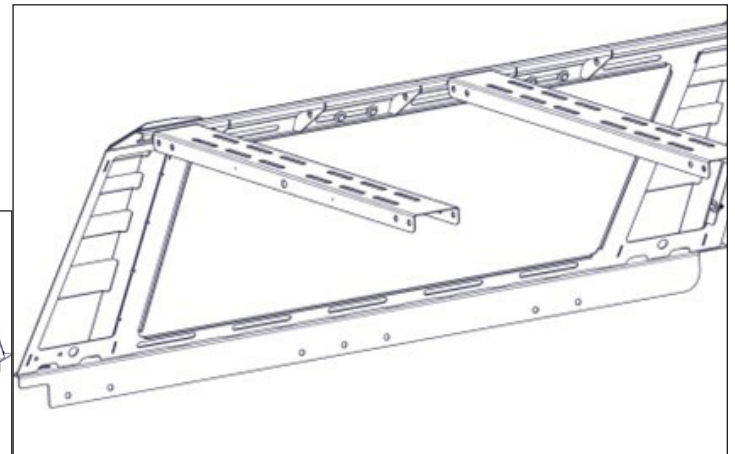
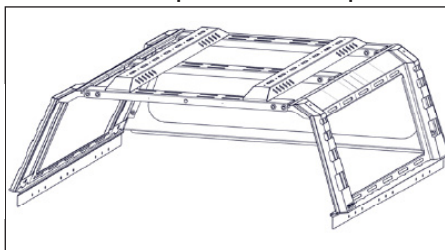
Clean the truck and rear window of the cab and the truck's bed rails to remove all dirt and grime. To help protect the truck's bed finish, lay a piece of carpet or cardboard down during installation. It is also recommended that you tape off areas of the truck that could be impacted by the rack during installation.



## Installing the Ascend Rack on the Truck Bed

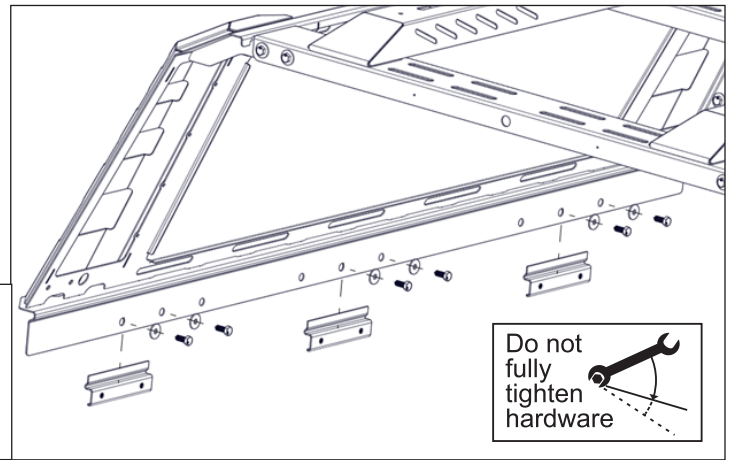
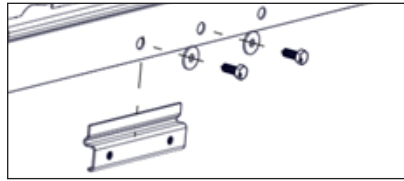
6. Once the main shell is put together, it is recommended that you and another person lift the whole shell onto the truck bed. Make sure the flange at the bottom of the Cab Panel (#3) is over the front of the bulkhead behind the cab and the flange at the bottom of the Side Panel, Driver Side (#1) and Side Panel, Passenger Side (#2) are inside the plastic rail caps on each side.

Do not tighten anything down yet.



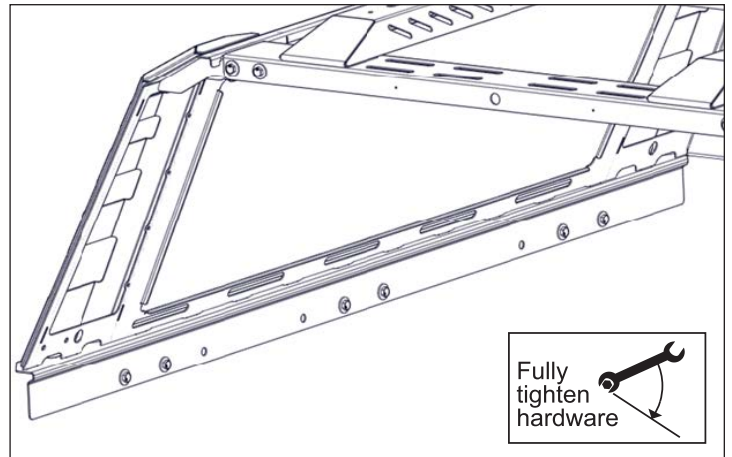
## Ascend Rack

7. Once the main shell is on top of the truck bed you can install the 3 Bed Wall Mounting Brackets (#9) to the bottom of the flange on Side Panel, Driver Side (#1) and Side Panel, Passenger Side (#2) using 6 M8 x 1.25 x 20mm Bolts (#10) and 6 M8 Washers (#11). Make sure the mounting brackets are behind the flange and the holes are lined up with the holes in the side panels. Loosely fasten.

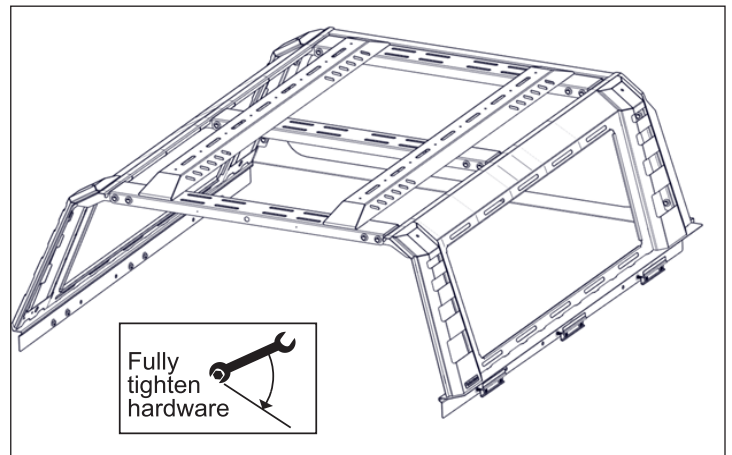


### Final Adjustments

8. Make sure the rack frame is square on the truck bed and that you have all the components where they belong before tightening down all the bolts. Fully tighten hardware at this time.



9. Fully tighten all hardware on main rack. Recommended torque is 14 ft lbs.

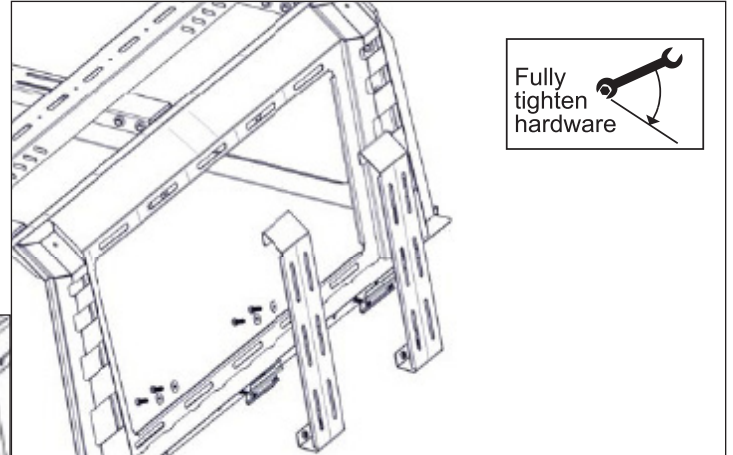
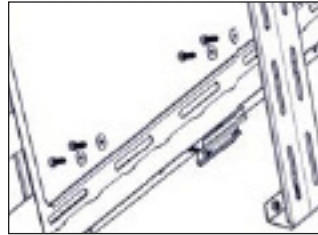


## Ascend Rack

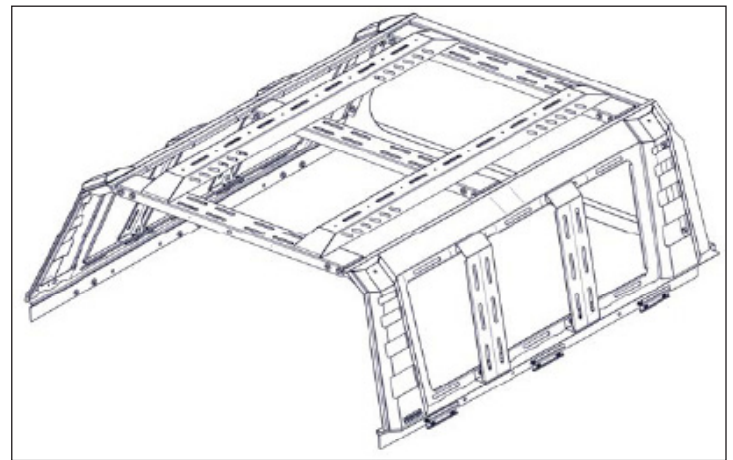
### Installing Side Accessory Brackets

10. Install the 2 Side Accessory Bracket, Driver Side (#7) and 2 Side Accessory Bracket, Passenger Side (#8) to the Side Panels (#1 & 2) using 2 M8 x 1.25 x 16mm Bolts (#12) and 2 M8 Washers (#11) at the top. Use 2 M8 x 1.25 x 20mm Bolts (#10) and 2 M8 Washers (#11) at the bottom of each Side Accessory Bracket, Driver (#7) and Passenger Sides (#8). Fully tighten hardware.

Recommended torque is 14 ft lbs.



11. Install Complete.



## Ascend Rack

### 3rd Brake Light Wire Harness Installation

12. Disconnect and isolate the negative battery cable.

Under the driver side footwell, near the parking brake pedal, find the exposed wiring connector shown below.

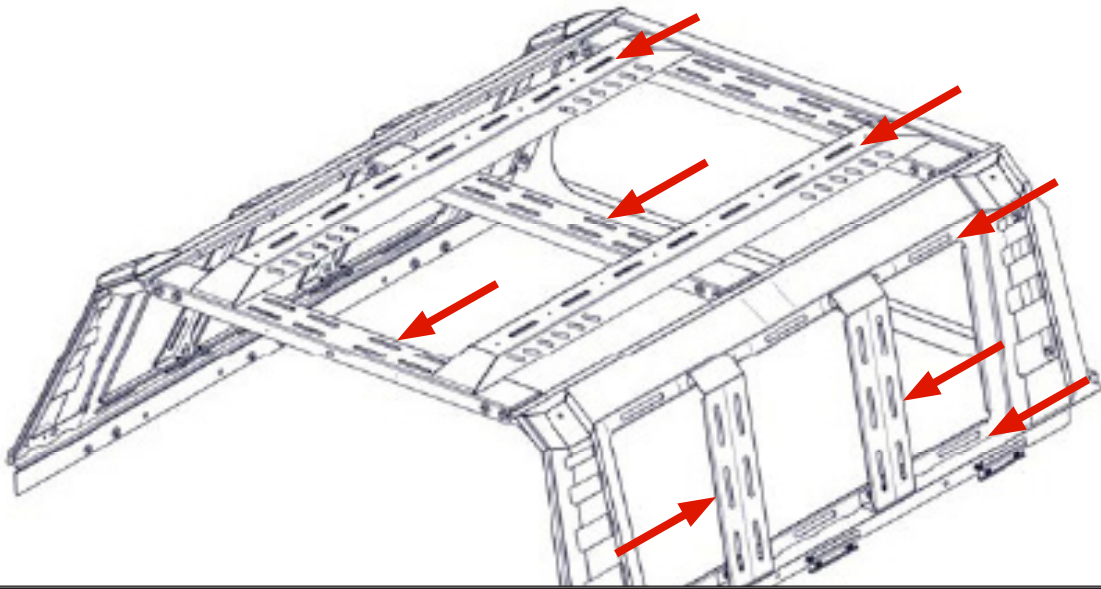
Plug in the harness to the circled wiring connector.

Route to the rear of the vehicle and plug it into the aftermarket CHMSL light.



## Ascend Rack

**NOTE:** The Ascend Rack is designed for the customer to bolt on accessories only, it was not designed for any type of ratcheting style tie-down straps (example shown below right). Straps with “cam” style buckles is recommended (example shown below left) as long as they are not used in conjunction with any type of force multiplier. The 2nd image shows where the “cam” style straps should be secured to the Ascend Rack. If ratcheting style straps are required, the installer should utilize the vehicles’ designated tie down loops.



### Safety Guidelines

- Make sure to periodically check that bolts are tight.
- Ensure that all accessories are securely mounted.
- Do not exceed maximum load rating stated by your vehicle manufacturer or Dynamic (Vehicle moving) - 500 lbs, Static (Vehicle parked) - 1000 lbs.
- Do not exceed maximum load rating of tent manufacturer, if applicable.
- Do not overtighten hardware

### Warranty Information

See warranty information on [RealTruck.com](http://RealTruck.com).