

## Features/Included:

### Bluetooth relay control box:

- 4 channel. 2 x 30 amp relays, 2 x 10 amp relays, All Solid State
- Battery powered RF Remote with universal mount system
- Bluetooth control from phone/tablet app
- Manual buttons for on/off on top of case
- 12-24 volt input, 3 wires, ground, switched positive, battery positive
- 12-24 volt out with waterproof connectors
- Fuse's built in, waterproof cover (30 amp - 1 and 2, 10 amp - 3 and 4)
- LED's to indicate relay on and if a fuse is blown
- Waterproof case design, withstands temps to 250 deg. F and -20 deg F.
- Solderless terminals included for connecting to battery

### RF Remote:

- RF connection to control box
- Replaceable battery power
- Back lit with press of button, delayed off for the back light.
- Sticker sheet included for labeling the buttons

### Phone Control:

- Apps for both Android and iOS. Simple interface allows power control to each of the four channels. User expandable up to 8 buttons
- App stays on when in use as long as plugged into power. If not plugged in goes to stand by

### Harnesses:

- Wire harnesses with the mating waterproof connector to the control box on one end and blank wires on the other
- 2 x 10 gauge, 2 x 12 gauge included
- Harnesses include vinyl shroud

## WARRANTY

The Trigger system is covered for 3 years against manufacturing defects. Please see the website at [www.aacbrands.com](http://www.aacbrands.com) for additional details and to arrange an RMA. Please contact our customer service before returning or with any questions at 951-339-1469.



# Quick Start Guide

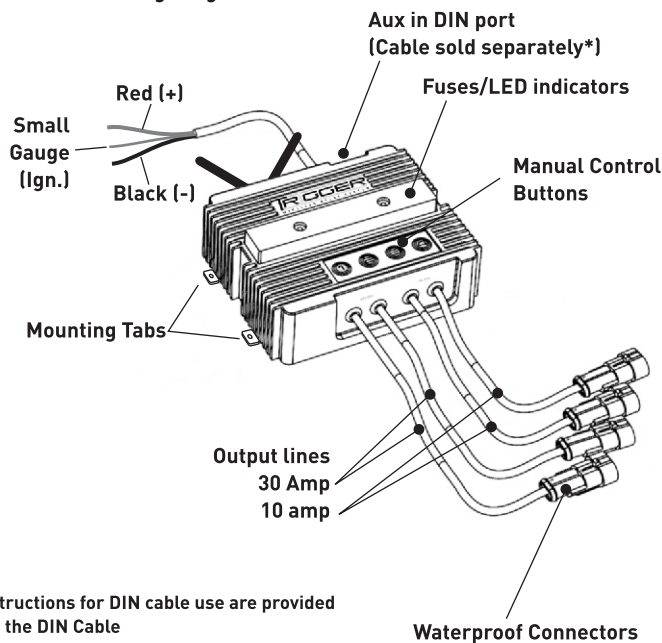
Please go to [www.triggercontroller.com](http://www.triggercontroller.com) for more detailed info

## Control Module Features/Functions

Red = Line In from battery

Black = Ground

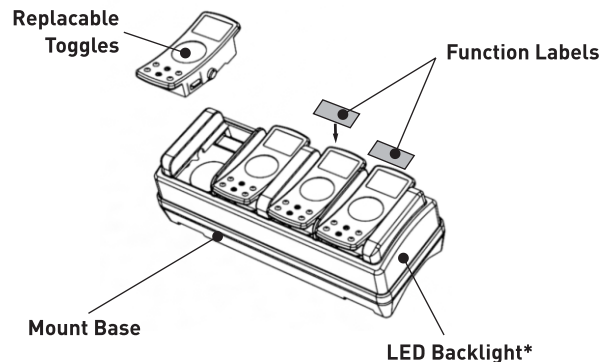
Small Gauge = Ignition



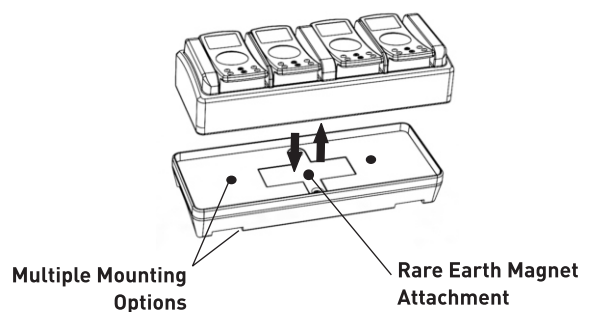
\*Instructions for DIN cable use are provided with the DIN Cable

CAUTION: Do not exceed the recommended amperage limits shown here, may cause damage to the control module.

## RF Remote Features/Functions



\* NOTE: Backlight only comes on for a few seconds to indicate the remote is functioning. Switches do not stay lit when active.



## Control Module Mounting/Installation

1) Mount the control module as close to the battery as possible. Use the mounting tabs on the body to securely install the module.

**NOTE:** If extending the input wires, be sure to use wires of equivalent or greater gauge to the ones on the module.

2) Use the included solderless terminals to connect the main input wires (black -, and red +) to the battery.

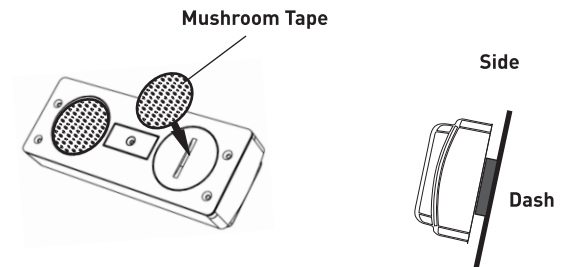
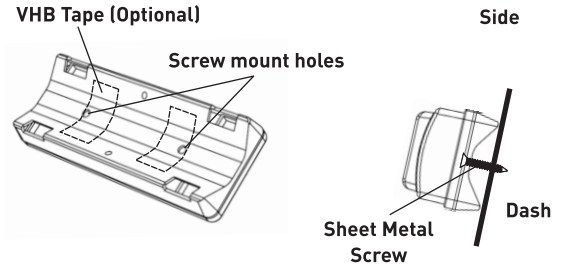
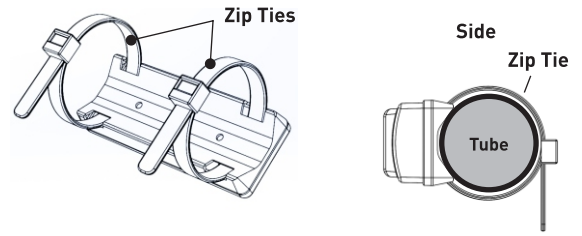
3) Connect the small gauge yellow wire to an ignition activated circuit or connect to a manual switch. If it is connected directly to battery, the trigger system will always be on and does draw a small amount of power from the battery. **NOTE:** The draw is equivalent to a remote door lock system on newer cars, it would take several weeks to drain the battery.

4) Install accessories and use the included harnesses to connect to the main module with the waterproof connectors. **NOTE:** Be sure to use the correct gauge wiring harness for the circuit you are using. 1 and 2 are the higher amperage circuits at 30 amps each and should use the 12 gauge harnesses. 3 and 4 are the 10 amp circuits and should use the 14 gauge harnesses.

**WARNING:** Devices with electric motors can cause circuit failure if they spike to high voltages. Be sure to use the highest rated circuits for fans, pumps or compressors. We recommend using a conventional relay for these circuits and controlling the relay with the Trigger.

**NOTE:** Do not exceed the amperage recommendations stated on the unit or here, this may cause the unit to fail and will void the warranty.

## RF Remote Mounting Options

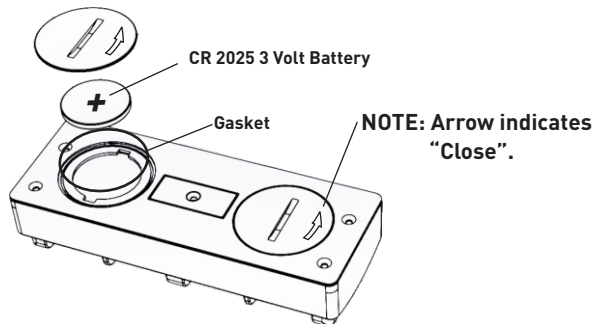


## IOS and Android App Installation

Please go to the Apple App store or the Google Play store to download the free Apps. Search for "Trigger ACS plus" to find the App. Download and install then follow the instructions in the App to connect to the Trigger Control Module.



## RF Remote Battery Installation



Install the Cr2025 batteries as shown. Be sure to turn the battery door to the right (clockwise) to open, the arrows indicate the direction to close (counter clockwise).

**NOTE:** Be careful not to lose the gasket when changing/installing batteries. It is important to be sure the remote is waterproof.

## RF Remote Passcode Setting

The Trigger system is designed to allow re-setting of the remote to the control module as required. This is accomplished by re-setting the pass code on the two components. Use this function if there is any interference when using the system, to replace an RF remote or to add more than one system to the same vehicle.

1) On RF, uninstall the 2 batteries. Set 1 and 4 rocker to on position and 2 and 3 rocker off.

2) On RF, install the batteries, then turn 1 and 4 rocker off. The RF remote is now in programming mode.

3) On control box, press and hold the 1 and 4 button. The channel 4 LED will flash 4 times. If properly connected, the RF backlight and control box LEDs will flash continuously. **NOTE:** If lights do not flash, start process over from step 1.

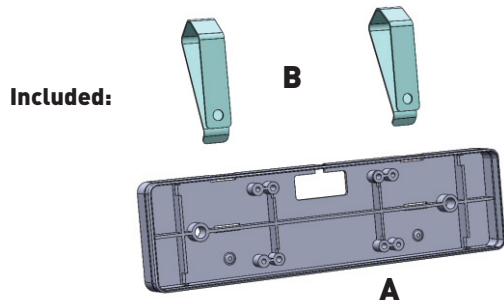
4) Toggle rocker(s) 1 and/or 4, four or more times to enter a new code. Now toggle rocker 3 on to send the password to control box. The channel 4 channel LED on control box will then shut off. **NOTE:** the code can be from 4 - 20 digits, for example toggle 1 - 1 - 4 - 4, up to 20 digits. The more digits, the more secure.

**Note:** After re-installing the batteries, the banding process must not exceed 30 seconds or the programming mode will reset automatically.

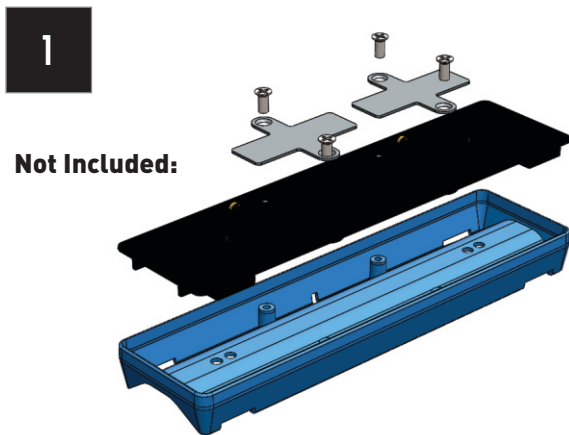
# Trigger Visor/Flat Mount Assembly Instructions

## Part Number 2021

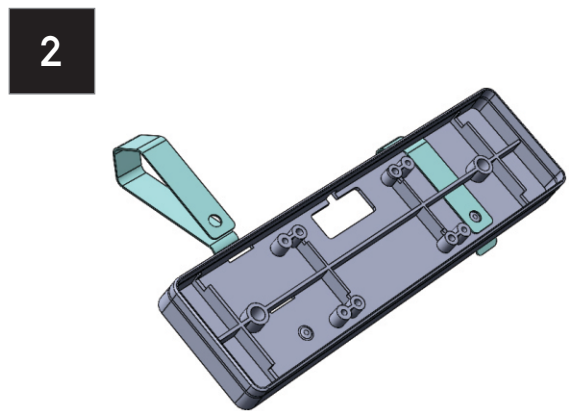
**PLEASE READ ALL INSTRUCTIONS AND CHECK TO BE SURE ALL PARTS LISTED ARE INCLUDED BEFORE BEGINNING ASSEMBLY.**



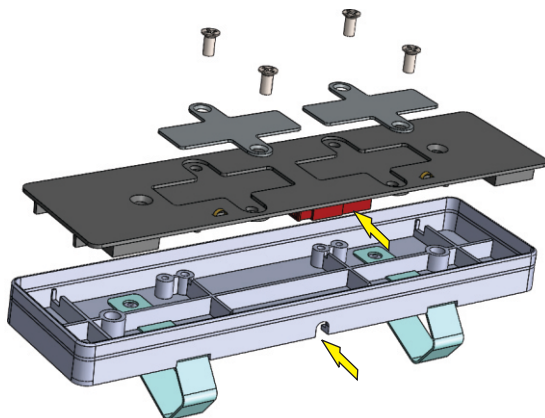
**Please Note: This Kit is intended as an add on to the complete Trigger 6 Shooter and 4 Channel sets, it requires the original mount set from the 6 Shooter.**



Begin assembly by removing the inner plate of the original Trigger mount included with the Trigger 6 Shooter kit. Remove the four screws and set aside with the top plate/wire/connector, all will be re-used for the visor mount.



Insert the metal visor clips into the base as shown, be sure they go all the way in and snap over the raised round detail.



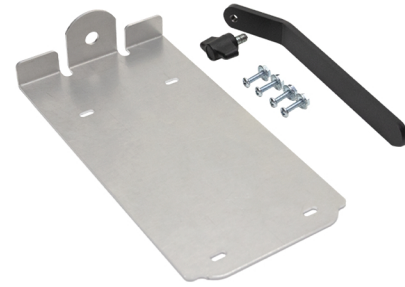
Use the components removed from the original Trigger base to assemble the Visor mount as shown. Note the location of the 12 volt power connector and slot for the 12 volt wiring as indicated by the arrows.

If using as a flat mount, do not install the metal clips and use VHB tape (not included) or screws (not included) to mount as required.



## PART# 2022 BRONCO FENDER MOUNT YEARS 2021+

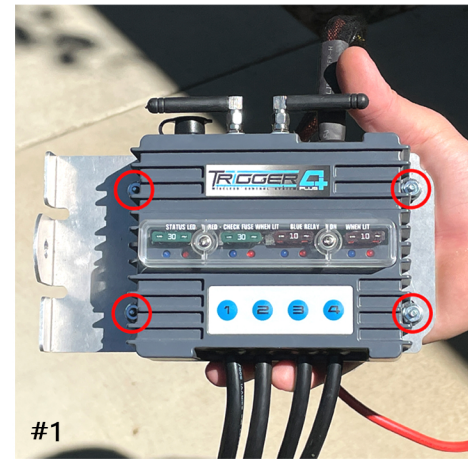
- Included:
- + Aluminum Trigger
  - + Mount
  - + Wing Bolt/Flagnut
  - + 4x Mounting Screws/Nuts
  - + Dual Lock Strip



### Installation:

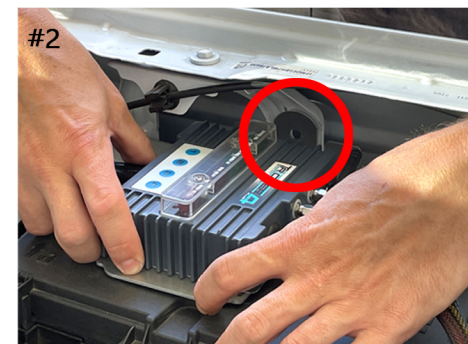
- 1) Use 4 included screws & nuts to attach Trigger Controller to the mount (Image #1).

\*Note: Dual Lock is on opposite side of trigger mounting surface & faces down towards the ground.



- 2) Clean top of fuse box with alcohol or similar cleaner.

- 3) Remove the adhesive backing on Dual Lock & place the trigger in the intended position by aligning the hole in the Trigger mount with a hole in the fender support (Image #2).



- 4) Use provided wing bolt & threaded handle to mount on the vehicle (Image #3).





**PART# 99400511**  
**UNIVERSAL INTERIOR RF REMOTE MOUNT**  
**BRONCO 2021-4 + 2021**



- Included:  
+ RF Universal Mount  
+ Visor Clips

**Installation:**

- 1) Remove driver side hardtop panel or open factory soft top (Image #1)



- 2) Fold down Driver side sun visor and lightly pull up the rubber roof seal to expose the edge of the plastic trim panel as shown on (Image #2 & #3).



- 3) Attach remote flat mount by clipping metal clips over the back edge of the plastic trim panel (Image #4)

- 4) Replace rubber over the trim piece as necessary (Image #5)

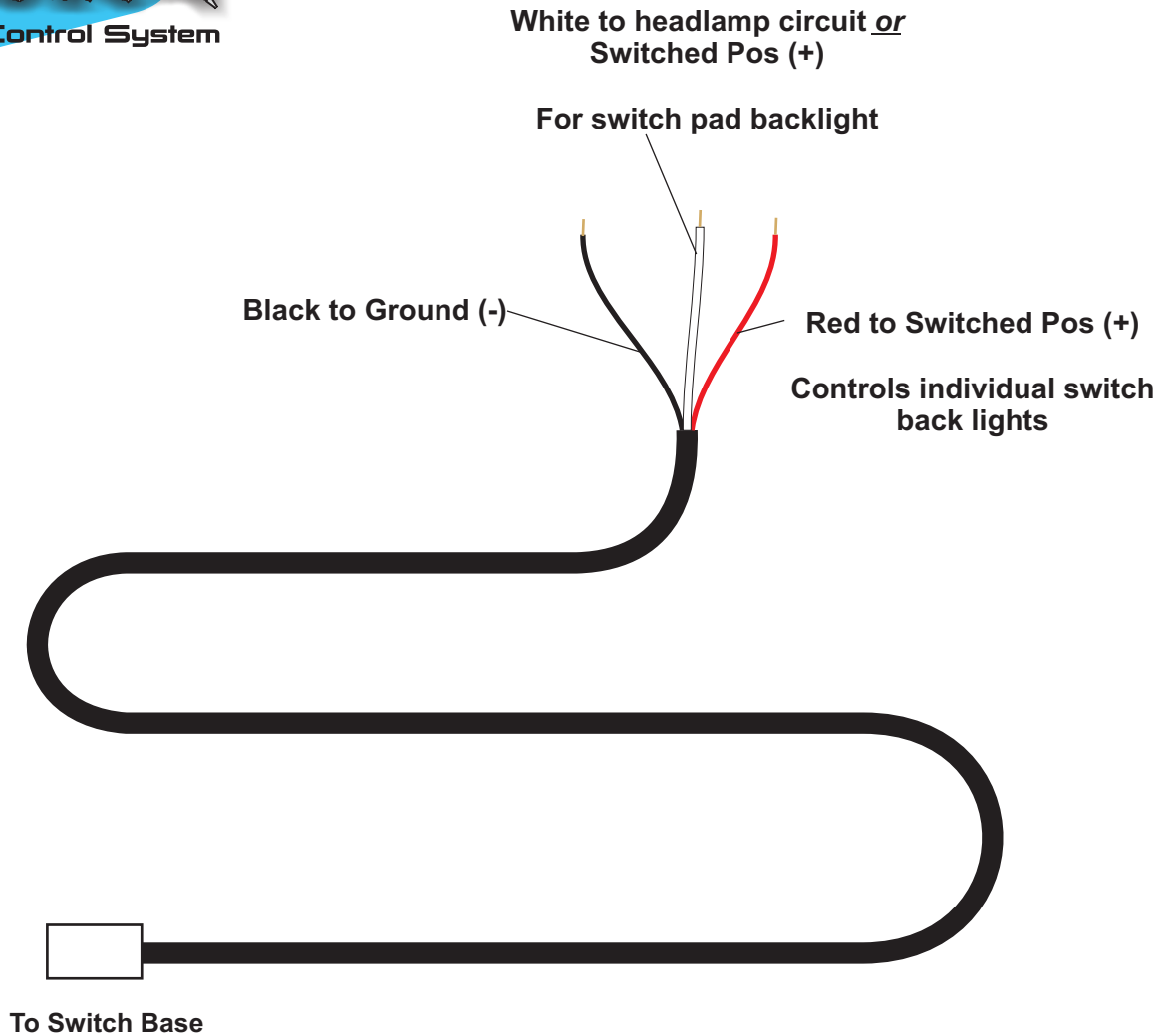


**TRIGGER**



# TECH BULLETIN

## Wiring the RF remote for 12 volt power



Wiring for the back lighting on the RF switch pad includes 3 wires for connection. The RED is used to back light the individual switches when they are turned on and should be connected to switched ignition.

The WHITE wire is for the backlighting behind the switches and can be connected to the headlamp circuit OR to the same place as the red wire (switched ignition). This allows the backlighting to come on only when the headlights are on.

The black wire is for ground.

[www.triggercontroller.com](http://www.triggercontroller.com)