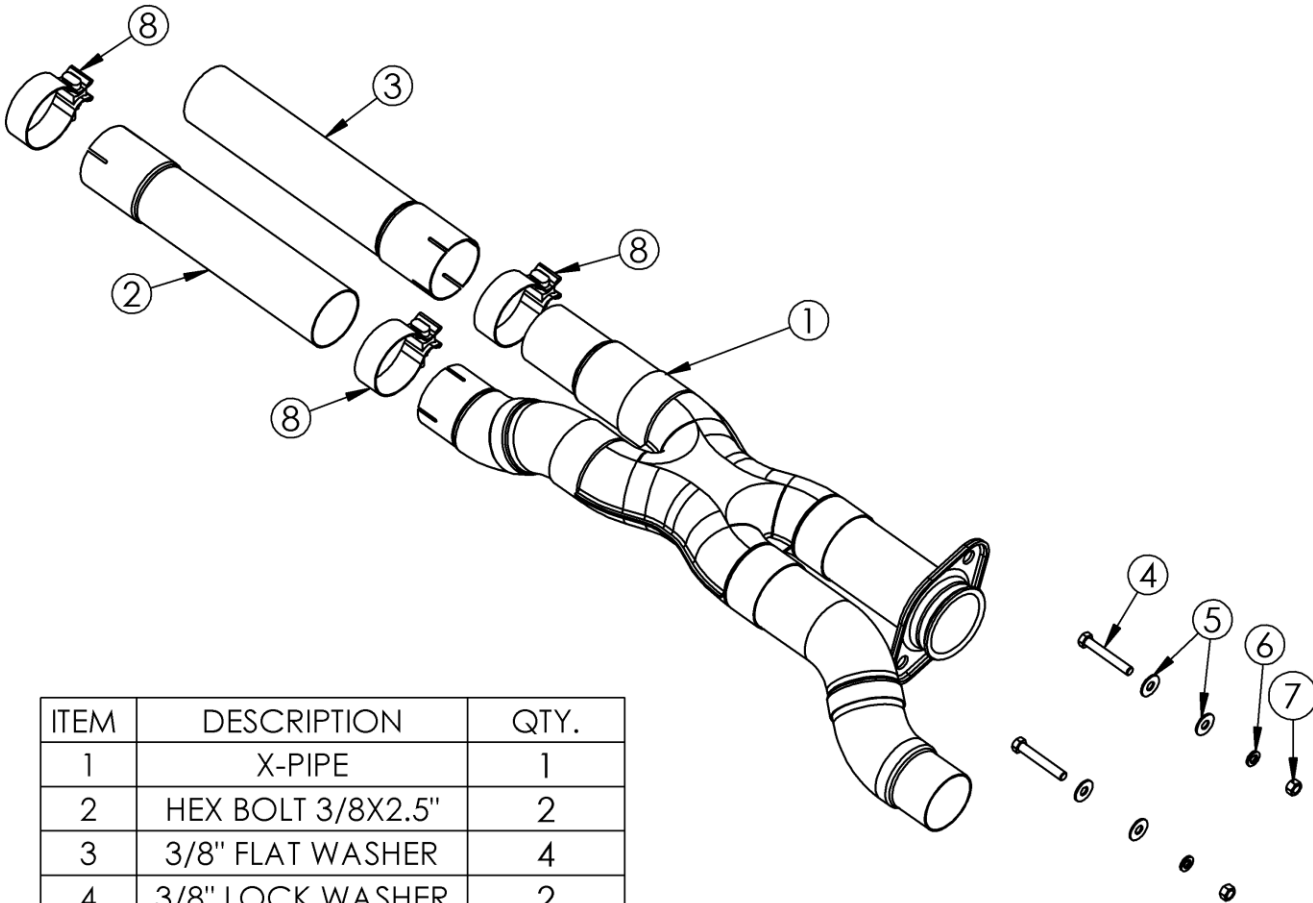


S5229

2017-UP FORD F150 RAPTOR
3.5L ECOBOOST, 2019 FORD
F150 LIMITED 3.5L HIGH
OUTPUT, 3" X-PIPE KIT

MBRP



ITEM	DESCRIPTION	QTY.
1	X-PIPE	1
2	HEX BOLT 3/8X2.5"	2
3	3/8" FLAT WASHER	4
4	3/8" LOCK WASHER	2
5	3/8" HEX NUT	2
6	EXTENSION PIPE	1
7	EXTENSION PIPE	1
8	BAND CLAMP	3

PLEASE READ BEFORE STARTING INSTALLATION

While MBRP Inc. has made every effort to ensure that all components of this system are of superior quality and properly packaged, it is the installer's responsibility to ensure the following before removal of the factory exhaust:

- that ALL components shown above are present.
- that ALL mating components fit together.
- that there are no damaged components.
- that the system you have purchased is appropriate for your vehicle year, model and configuration.
- that the system will not interfere with any modifications previously installed or planned.
- that you have read and understand these instructions.

If you have any questions or are uncertain about any aspect of the installation of this system to your vehicle please contact your dealer before commencing installation.

MBRP

Removal of Stock System:



Figure 1

1. Apply a penetrating lubricant liberally to all hangers, hardware and rubber isolators and lower the spare tire to provide clearance for removing the factory tail-pipes.

2. Remove tip hangers from vehicle, both sides.

Refer to Figure 1.

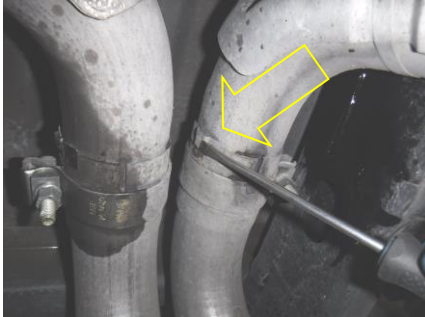


Figure 2

3. Loosen the factory tail-pipe clamps and pry open the factory spring locks.

Note: Tail pipes and muffler can be moved rearward as one assembly but may require multiple people.

Refer to Figure 2.

4. Remove the tail-pipes from the vehicle. You may need to remove the driver-side isolator from the frame.

5. Loosen the two clamps ahead of the muffler. Remove the factory muffler assembly from the hangers and remove from the vehicle.

Refer to Figure 3.



Figure 3

6. Remove the factory front resonator bolts and loosen the sleeve clamp nuts. Remove the factory front resonator from the vehicle.

Refer to Figure 4.

Installation of MBRP Performance Exhaust:

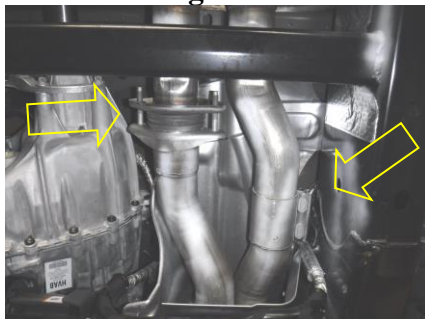


Figure 4

1. Loosely install the **X-Pipe** using the factory sleeve clamp and the supplied **3/8" Hardware**. You can modify the coupler to have the nuts facing down by adding a notch in the clamp to the side opposite the factory notch.

Refer to Figure 5.

2. ONLY SuperCrew models require the two **Extension Pipes** to be installed onto the **X-Pipe** using **2.75" Clamps**.



Figure 5

MBRP



Figure 6

3. Install the factory muffler onto the **Extension Pipes** (or **X-Pipe** for Crew Cab models) using the remaining **2.75" Clamp** and the factory sleeve clamp.

Refer to Figure 6.

4. Install the factory tail pipe onto the factory muffler and re-install the tip hangers from removal step 2.

5. Align all the components and partially tighten all clamps and hardware to ensure the exhaust tips are centered in the bumper opening, and there is clearance around the body, frame and bumper. Once everything is aligned, completely tighten all **Clamps** and **Hardware**.

6. Check along the whole length of the exhaust system to ensure that there is adequate clearance around the frame, body, running boards, fuel and brake lines or any wiring. If any interference is detected, relocate or adjust.



Congratulations! You are ready to begin experiencing the improved power, sound and driving experience of your **MBRP** performance exhaust system. We know you will enjoy your purchase.