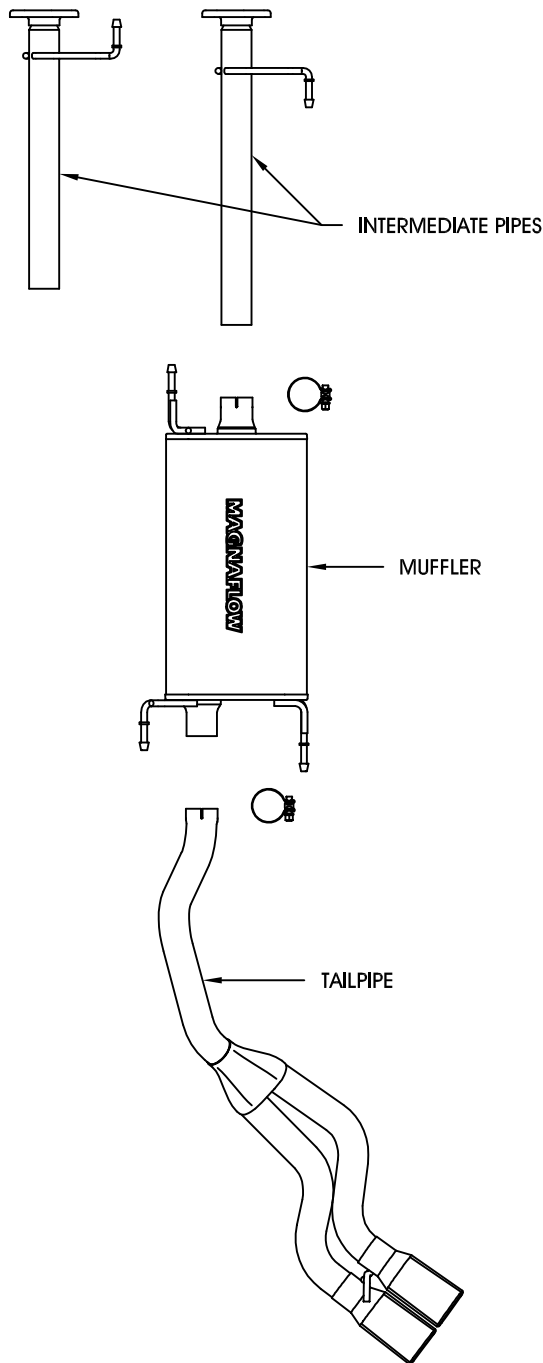


### 2003- TOYOTA 4-RUNNER - V6/V8 4.0L/4.7L



**Warning:** When working on, under, or around any vehicle exercise caution. Please allow the vehicle's exhaust system to cool before removal, as exhaust system temperatures may cause severe burns. If working without a lift, always consult vehicle manual for correct lifting specifications. Always wear safety glasses and ensure a safe work area. Serious injury or death could occur if safety measures are not followed.

**Step 1:** (Carefully read all instructions before installation) Disconnect the vehicle's battery before removal of the OEM exhaust. This will allow the computer to reset itself with the new system, and prevent electrical accidents. Remove the OEM exhaust system by unbolting it at the flanges, then disengaging the welded hangers from the OEM rubber insulators. Do not discard the OEM fasteners or damage the rubber insulators as they may be reused to mount the new system.

**Step 2:** The shorter intermediate pipe is to be used on V8 models, and the longer pipe is for the V6. Install the new intermediate pipe reusing the OEM spring-bolts and by fitting the welded hanger into the OEM rubber insulator (Leave all clamps and fasteners loose for final adjustment of the complete system). Fit the welded hangers on the new muffler into the OEM rubber insulators and fasten it to the intermediate pipe using one of the supplied clamps. Install the tailpipe in the same fashion.

**Step 3:** With all components mounted loosely, adjust the system for overall aesthetics and clearance of frame & bodywork. (MAGNAFLOW recommends at least 1/2" of clearance between the exhaust system and any body panels to prevent heat-related body damage or fire.)

**Step 4:** Once a final position has been chosen for the new system, evenly tighten all fasteners from front to rear. The supplied band clamps must be very tight to properly align and the pipes and prevent leaks (Approximately 65ft-lbs). Reconnect the battery and start the vehicle to check for exhaust leaks. Inspect all fasteners after 25-50 miles of operation and retighten if necessary.

\*MAGNAFLOW Performance Exhaust recommends professional installation on all their products

Technical support: 1-800-959-9226 ext. 4500