

iRunning Board Installation Instruction

Part#: IB20RIC6

Application: For 2008-2018 Toyota Sequoia

REV: 20180101

Installation Procedure

Item	Part Name	QTY	Item	Part Name	QTY
1	Step Board, Passenger	1	8	M8X1.25-30mm Hex Bolt	16
2	Step Board, Driver	1	9	M8 Flat Washers	16
3	Front Bracket (FB)	2	10	M8 Lock Washers	16
4	Front/Center Bracket (FCB)	2	11	M6 Square Head Bolt	16
5	Rear/Center Bracket (RCB)	2	12	M6 Nylon Lock Nuts	16
6	Rear Bracket Driver Side (LRB)	1	13	M6 Flat Washers	16
7	Rear Bracket Passenger Side (RRB)	1			



Step	Description
1	REMOVE CONTENTS FROM BOX. VERIFY ALL PARTS ARE PRESENT. READ INSTRUCTIONS CAREFULLY BEFORE STARTING INSTALLATION.
2	Attach mounting brackets as shown SEE FIGURE 1.
3	Insert square head bolts as shown (4 per slot, 8 per board). SEE FIGURES 2.
4	Attach board to brackets as shown on FIGURE 3 . Make sure board and brackets are properly aligned and tighten fasteners.
5	Repeat Installation for passenger side.
6	INSTALLATION IS COMPLETE.

FINISH PROTECTION

Westin products have a high quality finish that must be cared for like any other exposed finish on the vehicle. Protect the finish with a non-abrasive automotive wax, (e.g. Pure Carnauba) on a regular basis. The use of any soap, polish or wax that contains an abrasive is detrimental, as the compounds scratch the finish and open it to corrosion.

The instruction here is for your reference only. We strongly recommend the professional installer for best result. We are not responsible for any damage caused by the installation. Thank you for choosing our product!

iRunning Board Installation Instruction

Part#: IB20RIC6

Application: For 2008-2018 Toyota Sequoia

REV: 20180101

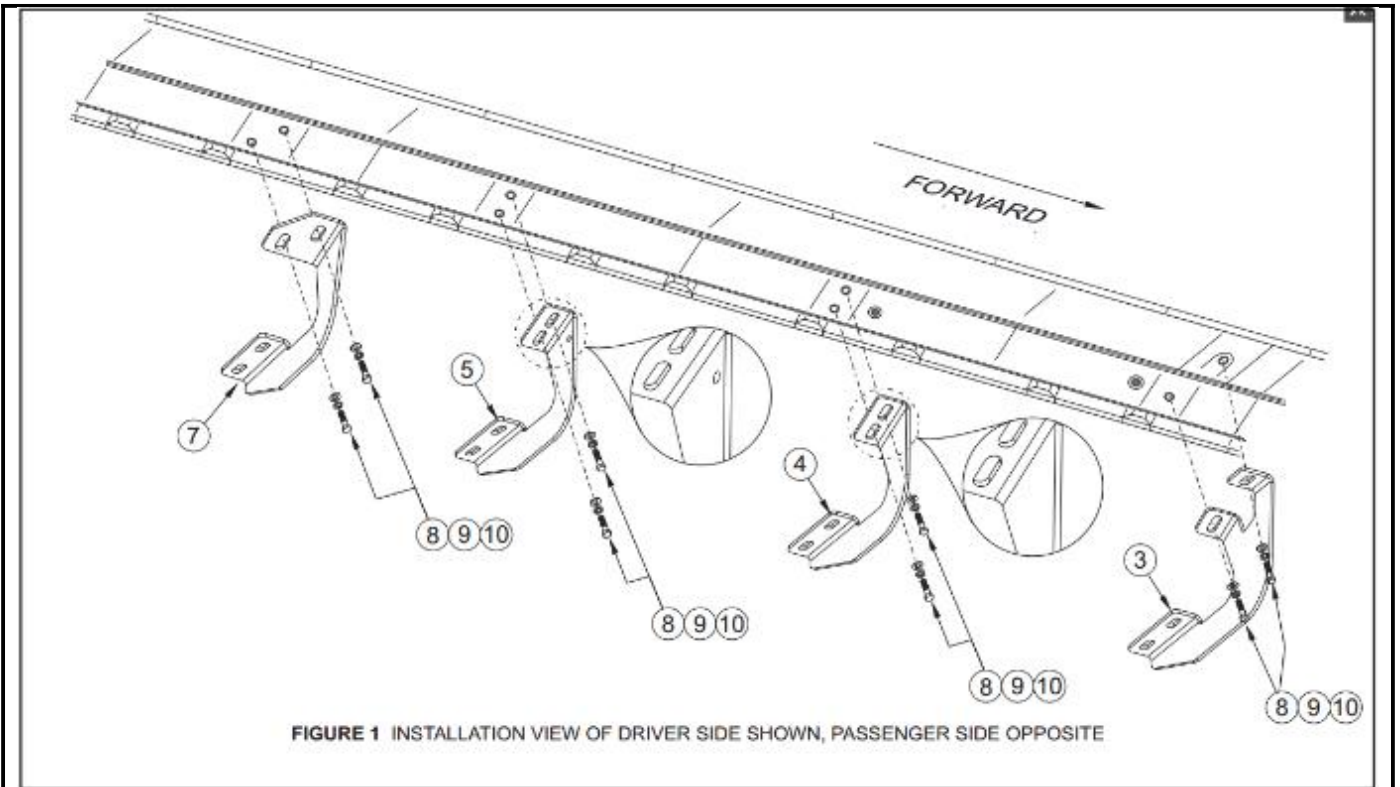


FIGURE 1 INSTALLATION VIEW OF DRIVER SIDE SHOWN, PASSENGER SIDE OPPOSITE

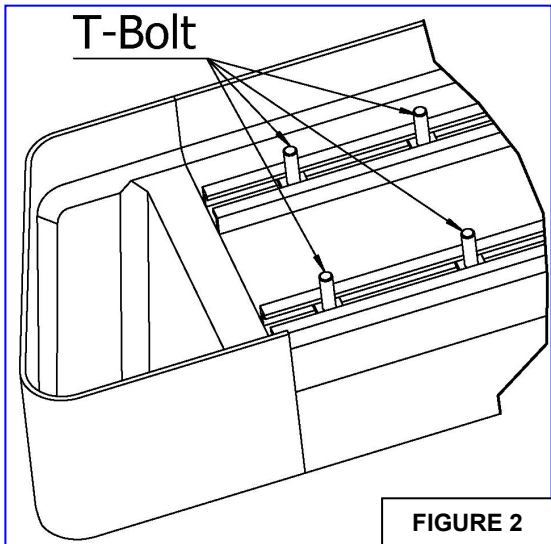


FIGURE 2

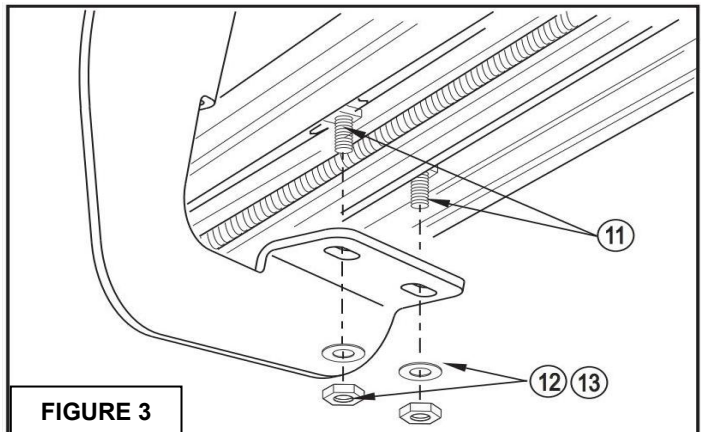
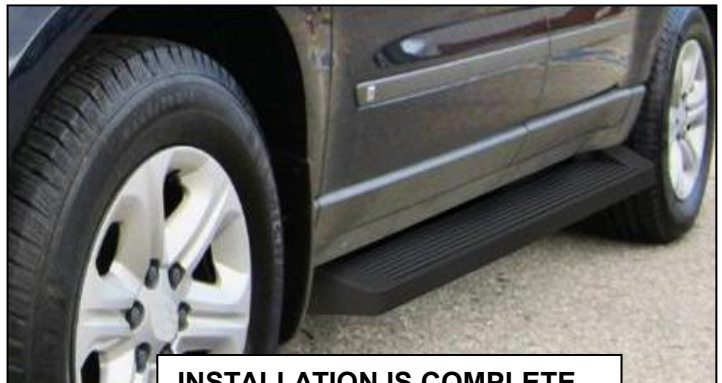


FIGURE 3



INSTALLATION IS COMPLETE.

The instruction here is for your reference only. We strongly recommend the professional installer for best result. We are not responsible for any damage caused by the installation. Thank you for choosing our product!