

# iRunning Board Installation Instruction

**Part#: IB20RIC3/IB20RIC4**

REV: 20180301

**Application: For 2006-2009 Toyota 4Runner (Does Not Fit Base Model)/  
2003-2009 Toyota 4Runner (Base Model ONLY)**

Item	Part Name	QTY	Item	Part Name	QTY
1	Driver side running board	1	5	M6 Square Hex Bolt	12
2	Passenger side running board	1	6	M6 Flat Washers	12
3	Front Mounting Bracket (DFM/PFM)	2	7	M6 Nylon Lock Nuts	12
4	Center Mounting Bracket	4	8	M8x1.25-20 HEX Head Bolts	12



Step	Description
1	Remove contents from box and check for damage. Verify all parts are present. Read and understand instructions before beginning installation.
2	Determine the two front mount brackets, as these will be installed first. <b>(See Figure 1).</b>
3	Locate the three factory mount hole locations on the underside of vehicle rocker panel. Attach front brackets to the first set of mount holes closest to the front of vehicle. Use two M8 bolts. Leave loose. <b>(See Figure 2 and 4).</b>
4	Attach remaining brackets to the middle and rear set of mounting holes. Use two M8 bolts for each bracket, Leave loose. <b>(See Figure 3 and 4).</b>
5	Insert square head bolts as shown (4 per slot, 8 per Step board/Running board) <b>(See Figure 5).</b>
6	Attach Step board to brackets as shown. <b>(SEE FIGURE 6).</b> Make sure step board and brackets are properly aligned and tighten fasteners.
7	Repeat Installation for passenger side.
8	<b>INSTALLATION IS COMPLETE, SEE FIGURE 7.</b>

**To protect your investment,** wax this product after installing. Regular waxing is recommended to add a protective layer over the finish. Do not use any type of polish or wax that may contain abrasives that could damage the finish.  
**For Polished Finishes:** Aluminum polish may be used to polish small scratches and scuffs on the finish. Mild soap may be used also to clean the Running Board.  
**For black finishes:** Mild soap may be used to clean the Running Board.

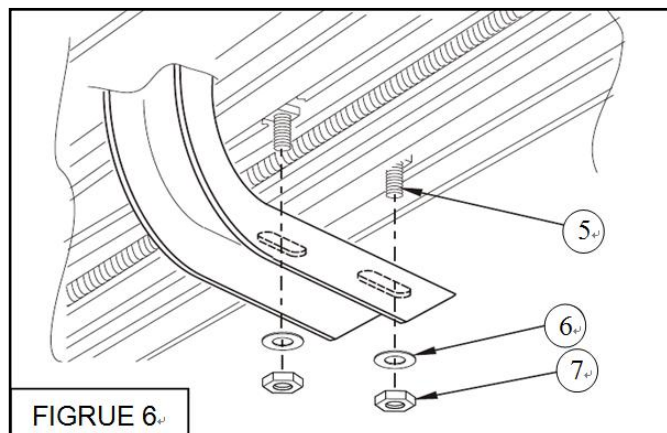
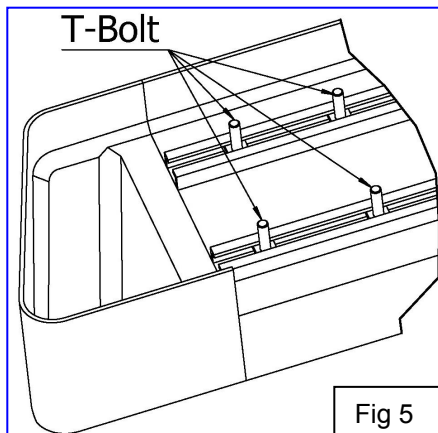
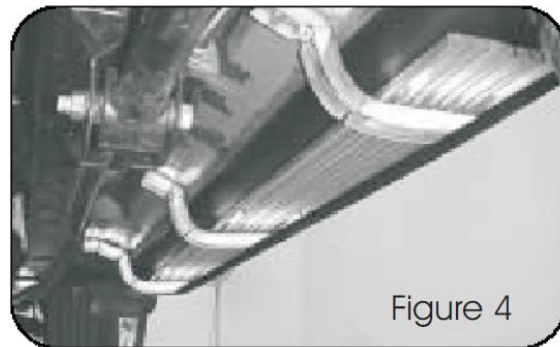
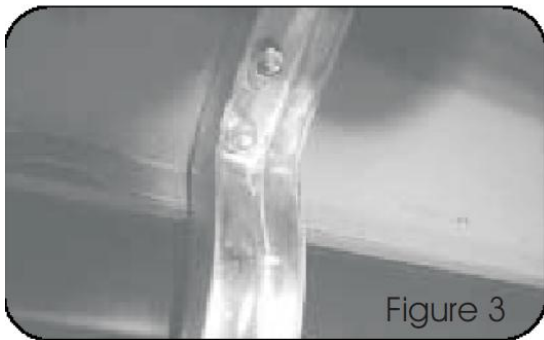
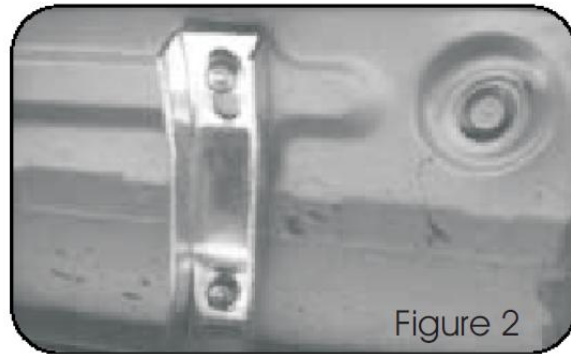
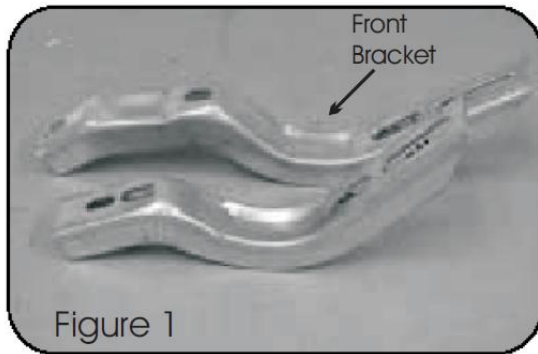
The instruction here is for your reference only. We strongly recommend the professional installer for best result. We are not responsible for any damage caused by the installation. Thank you for choosing our product!

# iRunning Board Installation Instruction

Part#: IB20RIC3/IB20RIC4

REV: 20180301

Application: For 2006-2009 Toyota 4Runner (Does Not Fit Base Model)/  
2003-2009 Toyota 4Runner (Base Model ONLY)



The instruction here is for your reference only. We strongly recommend the professional installer for best result. We are not responsible for any damage caused by the installation. Thank you for choosing our product!