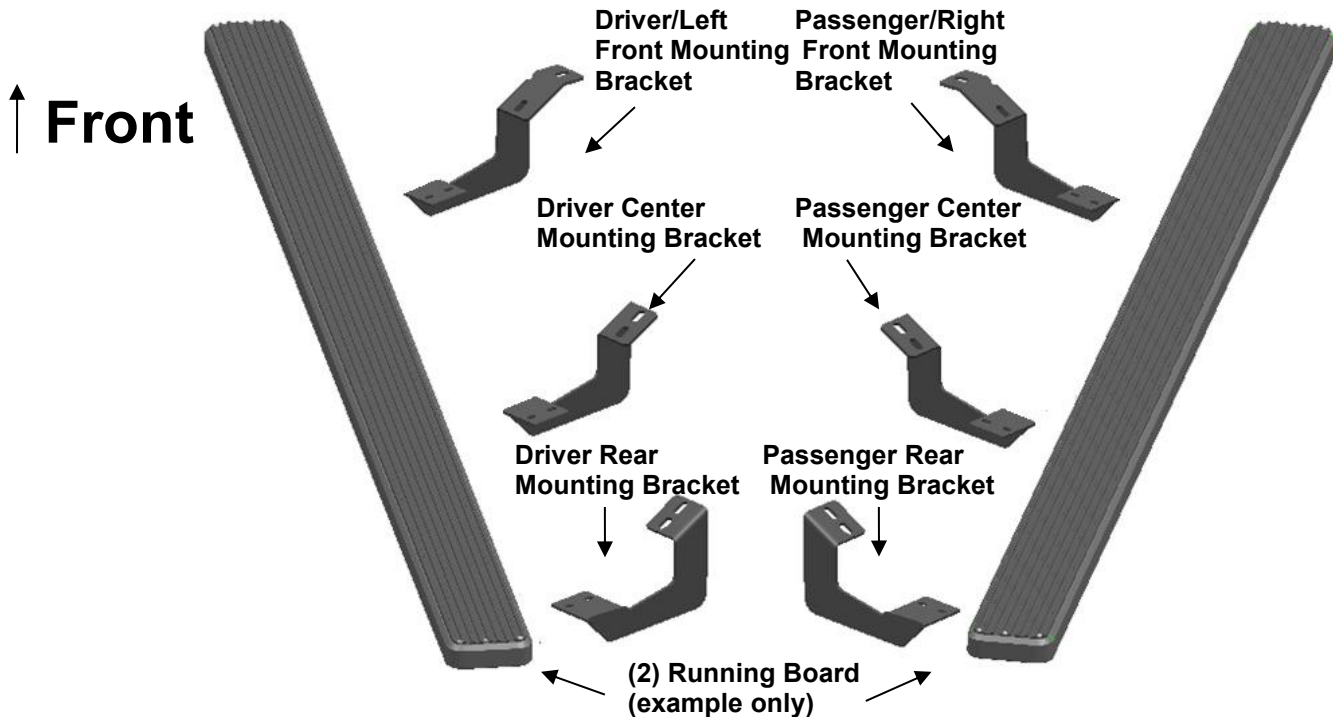


PARTS LIST:

Item	QTY	Description	Item	QTY	Description
#1	2	Running Board(use for left or right)	#7	12	8mm Lock Washers
#2	1	Driver/Left Front Mounting Bracket	#8	12	8mm Flat Washers
#3	1	Passenger/Right Front Mounting Bracket	#9	12	6-1.0mm x 20mm T-Bolts
#4	2	Driver Center/Passenger Rear Mounting Bracket	#10	12	6mm Flat Washers
#5	2	Driver Rear/Passenger Center Mounting Bracket	#11	12	6mm Nylon Lock Nuts
#6	12	8-1.25mm x 30mm Hex Bolts			



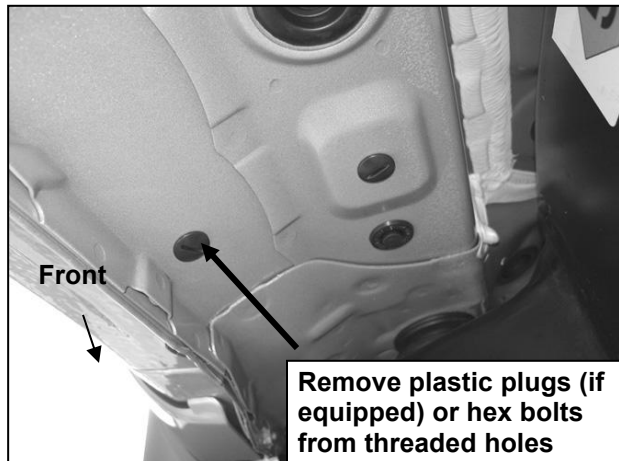
- 1. REMOVE CONTENTS FROM BOX. VERIFY ALL PARTS ARE PRESENT. READ INSTRUCTIONS CAREFULLY. ASSISTANCE IS RECOMMENDED.**
- Starting on the driver side front of the vehicle, remove the existing (2) factory bolts, (or plastic plugs) **(Figure 1)**. This will be the mounting location for the driver side front Mounting Bracket.
- Select the driver side Front Bracket, **(Figure 2)**. Attach the Bracket to the vehicle using the included (2) 8mm x 30mm Hex Bolts, (2) 8mm Lock Washers and (2) 8mm Flat Washers, **(Figure 3)**. Do not tighten hardware at this time.
- Move along the side panel to the next mounting location closest to the front Bracket, **(Figure 4)**. Repeat **Step 2 & 3** to install the driver side Center Bracket, **(Figures 5 & 6)**.
- Next, move to the last mounting location at the back of the cab. Select the driver side Rear Bracket, **(Figure 7)**. Repeat **Steps 2 & 3** to install the rear Bracket, **(Figure 8)**.
- Select the Running Board. Slip (12) 6mm T-Bolts into each bottom channel **(Figure 9)**. Carefully position the Running Board onto the (3) Mounting Brackets. **IMPORTANT:** Do not slide the Running Board on the Brackets or damage to the finish may result. Attach the Running Board to the Mounting Brackets with (4) 6mm T-bolts, (4) 6mm flat washers and (4) 6mm lock nuts **(Figure 10)**. Do not tighten hardware.
- Level and adjust the Running Board properly and tighten all hardware.
- Repeat **Steps 2—7** for passenger side installation. **NOTE: The Passenger Center location use the same Mounting Bracket as Drive Rear Mounting Bracket. The Passenger Rear location use the same Mounting Bracket as Drive Center Mounting Bracket.**
- Do periodic inspections to the installation to make sure that all hardware is secure and tight.

To protect your investment, wax this product after installing. Regular waxing is recommended to add a protective layer over the finish. Do not use any type of polish or wax that may contain abrasives that could damage the finish.

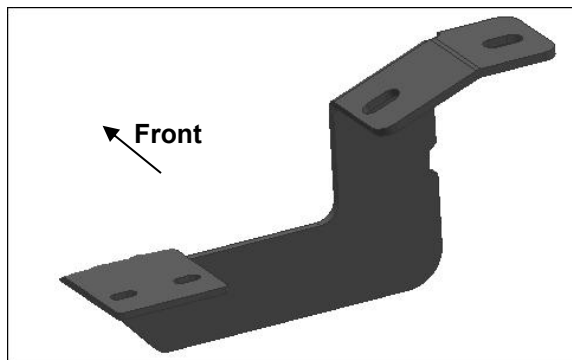
For Polished Finishes: Aluminum polish may be used to polish small scratches and scuffs on the finish. Mild soap may be used also to clean the Running Board.

For black finishes: Mild soap may be used to clean the Running Board.

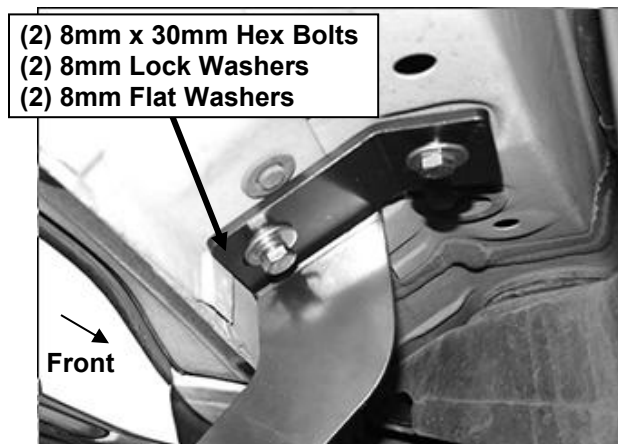
Driver Side Installation Pictured



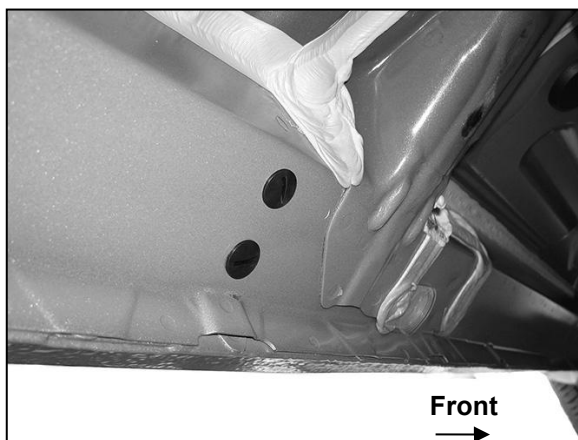
(Fig 1) Driver/Left Front Mounting Location Pictured



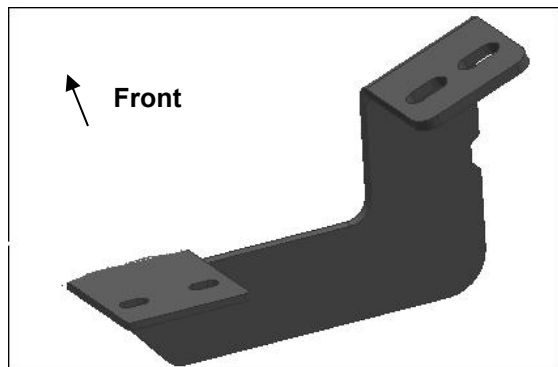
(Fig 2) Driver/Left Front Mounting Bracket



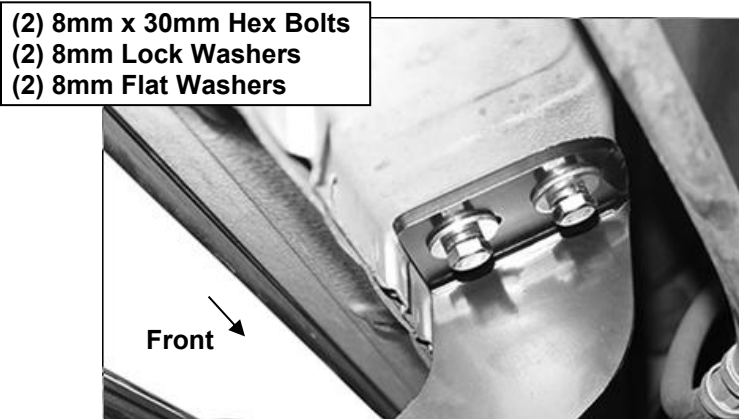
(Fig 3) Driver/Left Front Mounting Location Pictured



(Fig 4) Example of center and rear locations

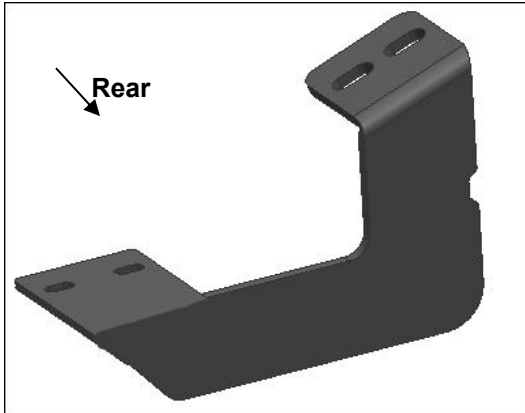


(Fig 5) Driver/Left center Bracket

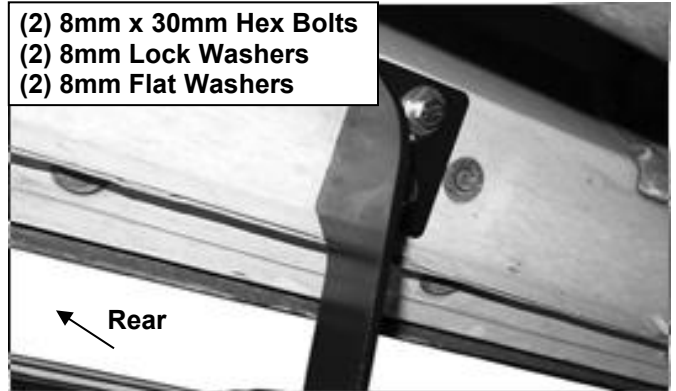


(Fig 6) Driver/Left center Bracket installed

Driver Side Installation Pictured



(Fig 7) Driver/Left rear Bracket



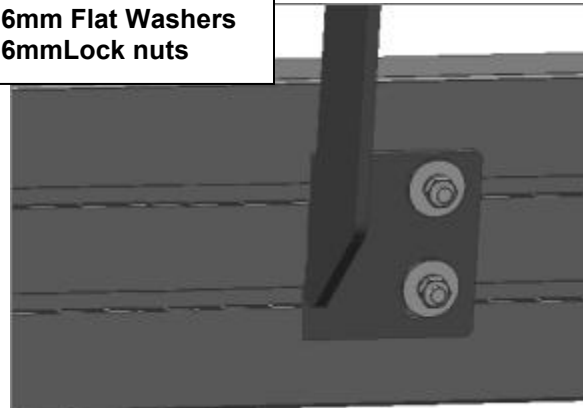
- (2) 8mm x 30mm Hex Bolts
- (2) 8mm Lock Washers
- (2) 8mm Flat Washers

(Fig 8) Driver/Left Rear Bracket Pictured



(Fig 9) Slip 6mm T-bolts into the bottom channel

- (4)6mmT-bolts
- (4)6mm Flat Washers
- (4)6mmLock nuts



(Fig 10) Drive side Bracket installation



Complete Installation