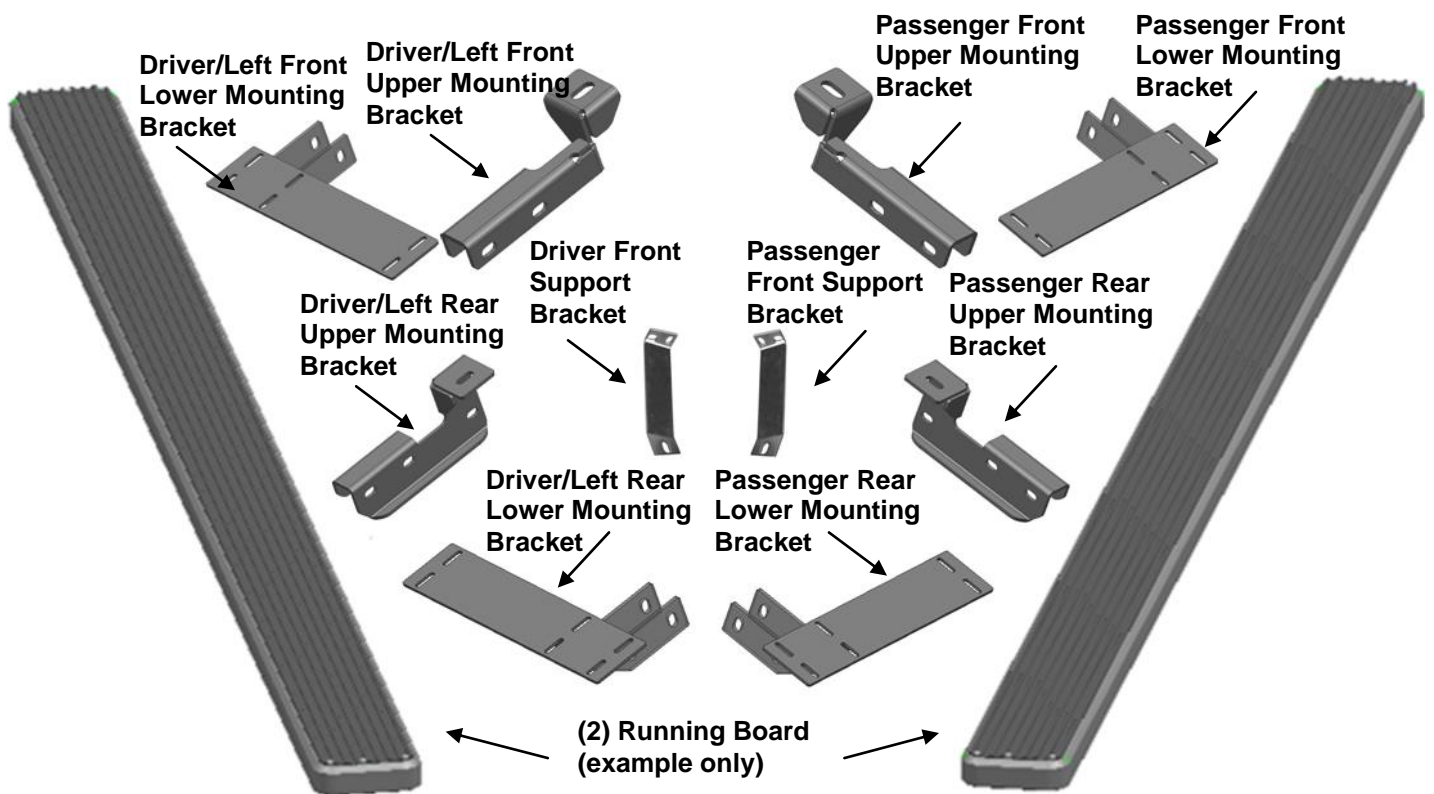


PARTS LIST:

Item	QTY	Description	Item	QTY	Description
#01	2	Running Board(use for left or right)	#10	2	10-1.50mm x 25mm Hex Head Bolts
#02	1	Driver Front Upper Mounting Bracket	#11	10	10mm Lock Washers
#03	1	Passenger Front Upper Mounting Bracket	#12	20	10mm ID x 30mm OD x 2mm Flat Washers
#04	1	Driver Rear Upper Mounting Bracket	#13	10	10mm Hex Nuts
#05	1	Passenger Rear Upper Mounting Bracket	#14	4	8-1.25mm x 30mm Hex Head Bolts
#06	2	Driver Front/Passenger Rear Lower Mounting Brackets	#15	4	8mm Lock Washers
#07	2	Passenger Front/Driver Rear Lower Mounting Brackets	#16	4	8mm ID x 24mm OD x 2mm Flat Washers
#07	1	Driver/Left Front Support Bracket	#17	24	6-1.0mm x 20mm T-Bolts
#08	1	Passenger/Right Front Support Bracket	#18	24	6mm x 18mm OD x 1.6mm Flat Washers
#09	8	10-1.50mm x 80mm Hex Head Bolts	#19	24	6mm Lock Nuts



PROCEDURE:

- 1. REMOVE CONTENTS FROM BOX. VERIFY ALL PARTS ARE PRESENT. READ INSTRUCTIONS CAREFULLY BEFORE STARTING INSTALLATION.**
- Remove driver side front body mount nut and washer located underside of vehicle. **NOTE:** Use a pair of pliers or a crescent wrench to hold the bolt as you loosen the nut **(Figure 1)**.
- Loosely attach driver front Upper Mounting Bracket using the factory nut and washer. **NOTE:** Keep factory rubber bushing and other factory body mount components in place **(Figure 1)**.
- Select the driver Front lower bracket, bolt to the upper bracket with (2)10mmx80mm Hex bolts,(2)10mm lock washers,(4)10mm flat washers and (2)10mm Hex Nuts. **(Figure 2)** .Do not tighten hardware at this time. Do not tighten at this time. **Note: Driver Front Lower Mounting Bracket and Passenger Rear are universal.**

5. Repeat **Step 2&3** to install the driver rear upper and lower bracket(**Figure 3&5**).
6. Locate the two factory threaded holes in the side panel by the rear body mount and attach driver side Support Bracket to these factory holes using the included (2) 8mm x 30mm Hex Head Bolts, (2) 8mm Lock Washers, and (2) 8mm Flat Washers. Attach opposite side of rear Support Bracket to rear Mounting Bracket using the included (1) 10mm x 25mm Hex Head Bolts, (1) 10mm Lock Washer, (1) 10mm Hex Nut, and (2) 10mm Flat Washers (**Figure 4&5**). Do not tighten at this time.
7. Select a Running Board. Slip (12) 6mm T-Bolts into each bottom channel (**Figure 6**). Carefully position the Running Board onto the Mounting Brackets. Attach the Running Board to the bracket with (6) 6mm T-bolts, (6) 6mm flat washers and (6) 6mm lock nuts (**Figure 7**). Do not tighten hardware at this time
8. Level and adjust Running Board properly; then tighten all hardware at this time.
9. Repeat steps 2 – 8 for passenger Running Board.
10. Do periodic inspections to the installation to make sure that all hardware is secure and tight.

To protect your investment, wax this product after installing. Regular waxing is recommended to add a protective layer over the finish. Do not use any type of polish or wax that may contain abrasives that could damage the finish.

For Polished Finishes: Aluminum polish may be used to polish small scratches and scuffs on the finish. Mild soap may be used also to clean the Running Board.

For black finishes: Mild soap may be used to clean the Running Board.

(Driver Side Installation Shown)

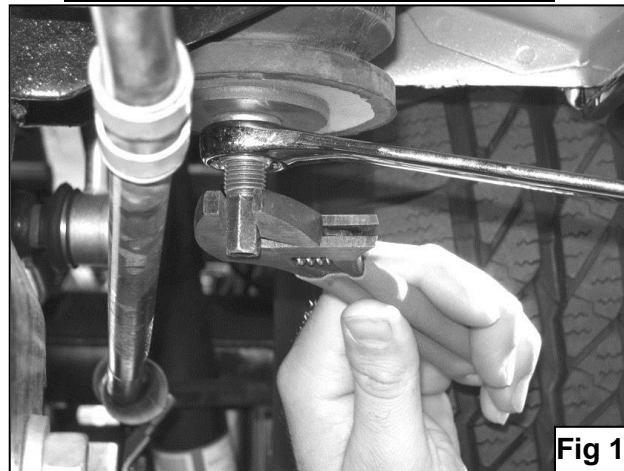
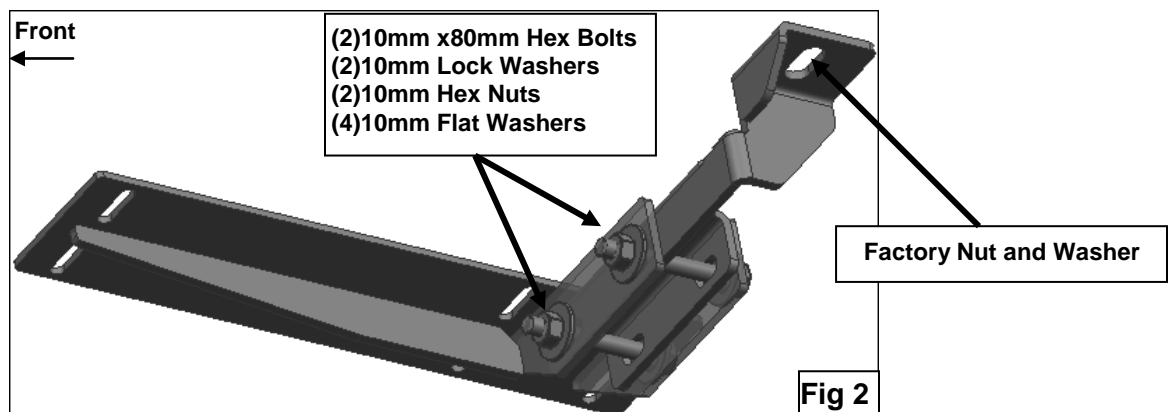
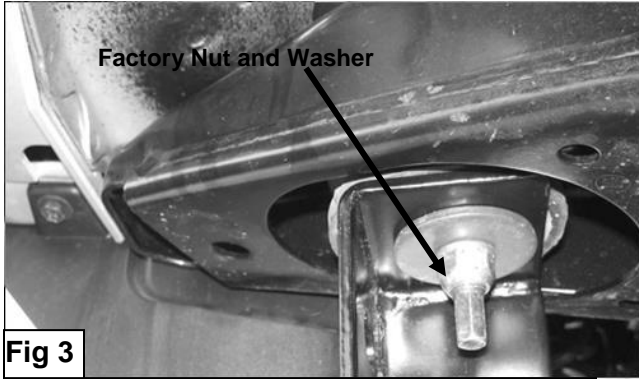


Fig 1

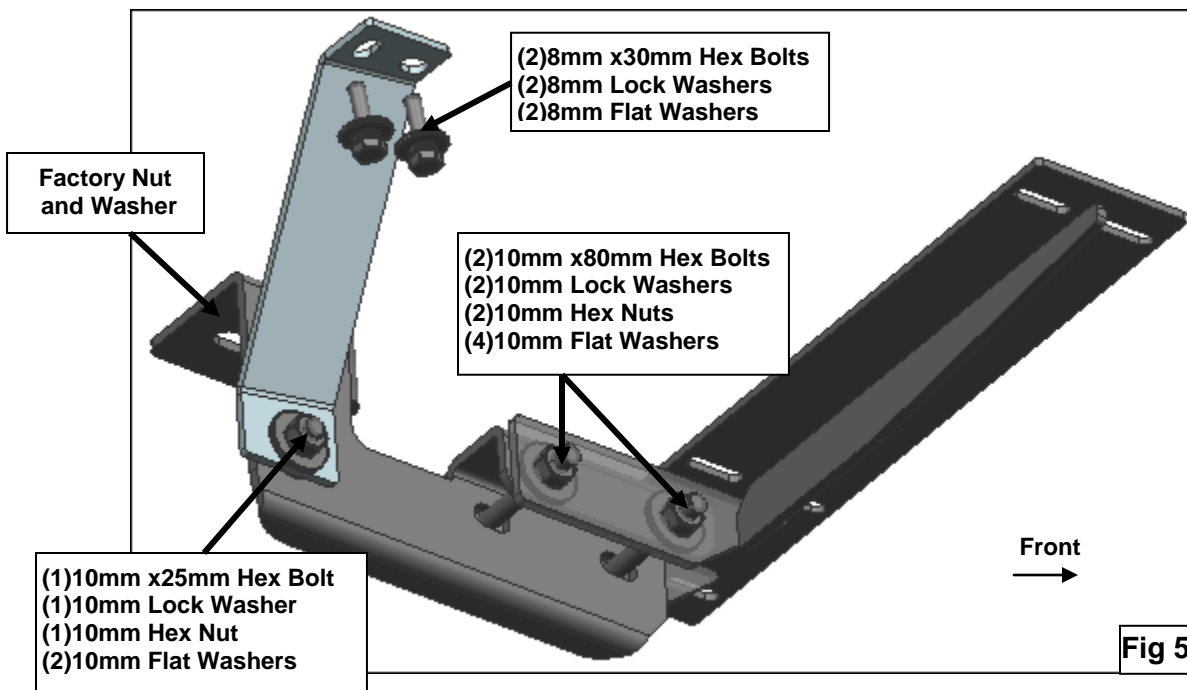




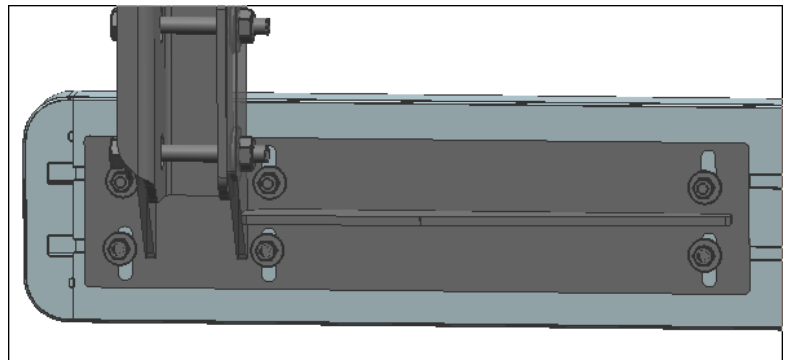
Driver Side Rear Mounting Bracket Shown



Passenger Side Rear Mounting Bracket Shown



(Fig 6) Slip 6mm T-bolts into the bottom channel



(Fig 7)