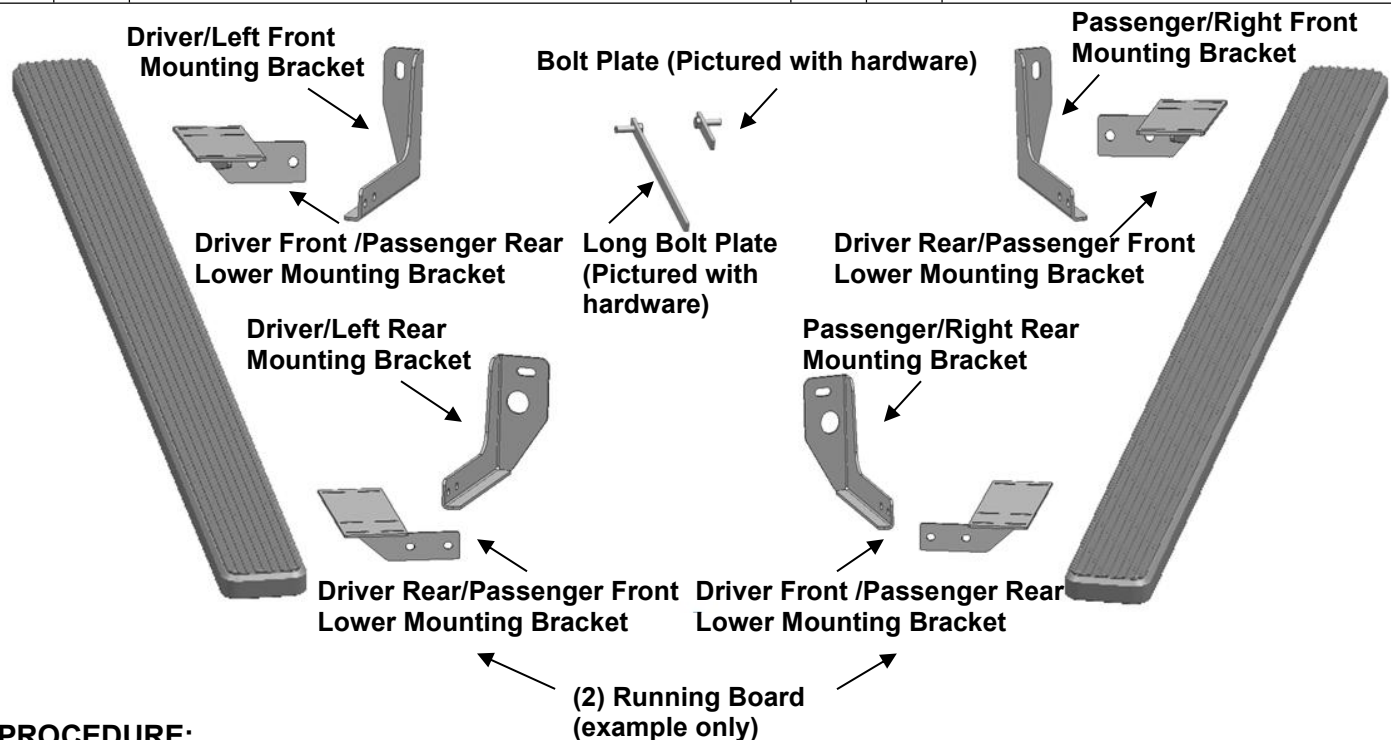


PARTS LIST:

Item	QTY	Description	Item	QTY	Description
#1	2	Running Board(use for left or right)	#11	4	M12 Lock Washers
#2	1	Driver/Left Front Mounting Bracket (DFM)	#12	4	M12 Hex Nuts
#3	1	Passenger/Right Front Mounting Bracket(PFM)	#13	2	M12 Hex Bolts
#4	1	Driver/Left Rear Mounting Bracket(DRM)	#14	8	M10 Hex bolts
#5	1	Passenger/Right Rear Mounting Bracket(PRM)	#15	16	M10 Flat Washers
#6	2	Driver Front /Passenger Rear Lower Mounting Brackets(DFB/PRB)	#16	8	M10 Lock Washers
#7	2	Passenger Front/Driver Rear Lower Mounting Brackets(DRB/PFB)	#17	8	M10 Hex Nuts
#8	1	M12 Long Bolt Plate	#18	24	M6 Square Head Bolts
#9	1	M12 Short Bolt Plate	#19	24	M6 Flat Washers
#10	6	M12 Flat Washers	#20	24	M6 Lock Nuts



PROCEDURE:

- 1. REMOVE CONTENTS FROM BOX. VERIFY ALL PARTS ARE PRESENT. READ INSTRUCTIONS CAREFULLY BEFORE STARTING INSTALLATION.**
- Start installation from under the driver side of the vehicle. Locate the rectangular factory hole in the side of the frame behind the front body mount, **(Figure 1)**.
- Select the M12 Long Bolt Plate, **(Figure 3B)**. **NOTE:** Use the Long Bolt Plate for driver side installation and the Short Bolt Plate for passenger side front bracket installation. From the back of the frame, insert the bolt plate into the open end of the boxed frame, **(Figure 2)**, and up to and out of the rectangular opening in the outside of the frame, **(Figure 3A)**. Line up the top hole in the driver front Upper Mounting Bracket with the Bolt Plate. Attach the Bracket to the Bolt Plate with (1) M12 Flat Washer, (1) M12 Lock Washer and (1) M12 Hex Nut**(Figure 4)**. Hand-tighten only at this time.
- Select a driver front lower bracket, bolt to the driver front upper bracket with (2)M10 Hex bolts, (4)M10 Flat Washers, (2)M10 Lock Washers and (2)M10 Hex Nuts,Do not tighten at this time **(Figure 4)**..
- Move towards the rear of the vehicle and locate the factory hole in the frame below the rear body mount, **(Figure 5)**. Select the driver side Rear Upper Mounting Bracket. From the back of the frame channel, insert (1) M12 Hex Bolt with (1) M12 Flat Washer through the factory hole. Line up the horizontal top slot in the Bracket with the Hex Bolt, **(Figure 6)**. Attach the Rear Mounting Bracket to the Hex Bolt with

the supplied (1) M12 Flat Washer, (1) M12 Lock Washer and (1) M12 Hex Nut, (**Figure 7**). Hand-tighten hardware only at this time.

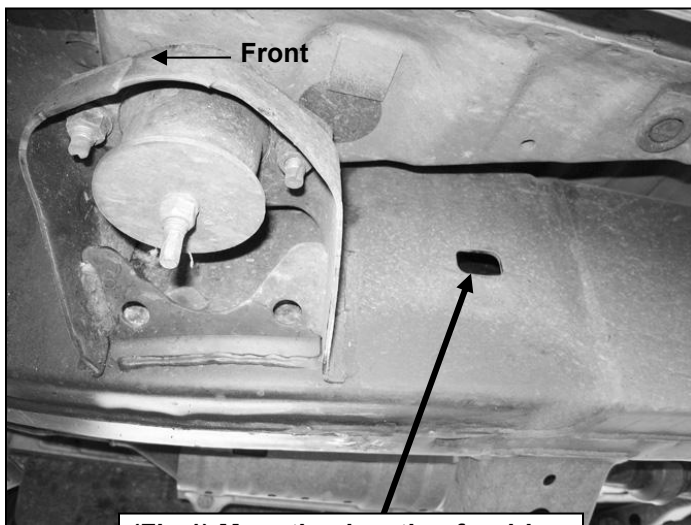
6. Repeat **Step 4** to install the driver rear lower bracket (**Figure 7**).
7. Select a Running Board. Slip(12) M6 Square Head Bolts into each bottom channel(**Figure 8**). Carefully position the Running Board onto the (2) Mounting Brackets. **IMPORTANT:** Do not slide, (front to back), the Running Board on the Brackets or damage to the finish may result. Attach the Running Board to the Mounting Brackets with(6) M6 Square Head Bolts,(6)M6 flat washers and (6)M6 lock nuts (**Figures 9**). Do not tighten at this time.
8. Level and adjust Running Board properly and tighten all hardware.
9. Repeat **Steps 2 – 8** to install the passenger Running Board onto the vehicle. **NOTE:** Use the provided (1) 1/2" x 4" Bolt Plate to secure the passenger side Front Bracket to the frame channel.
10. Do periodic inspections to the installation to make sure that all hardware is secure and tight.

To protect your investment, wax this product after installing. Regular waxing is recommended to add a protective layer over the finish. Do not use any type of polish or wax that may contain abrasives that could damage the finish.

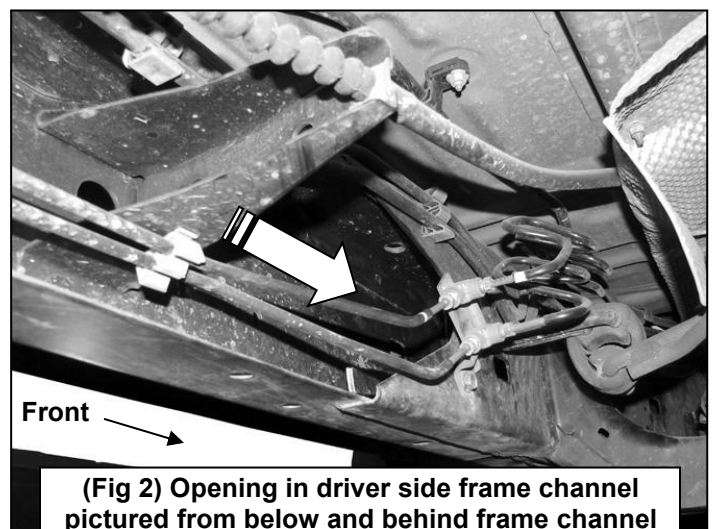
For Polished Finishes: Aluminum polish may be used to polish small scratches and scuffs on the finish. Mild soap may be used also to clean the Running Board.

For Black Finishes: Mild soap may be used to clean the Running Board.

Driver Side Installation Pictured



(Fig 1) Mounting location for driver side front Mounting Bracket

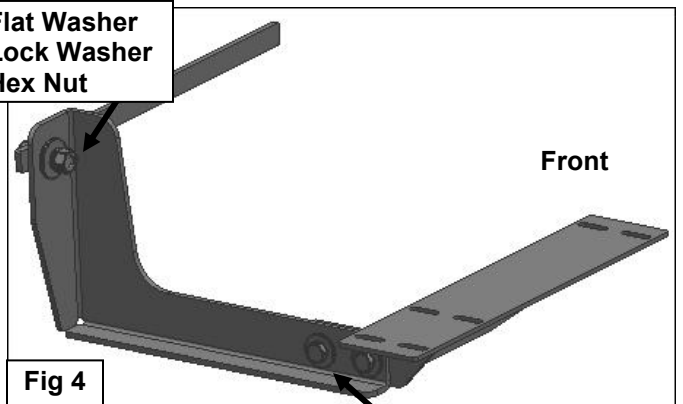


(Fig 2) Opening in driver side frame channel pictured from below and behind frame channel

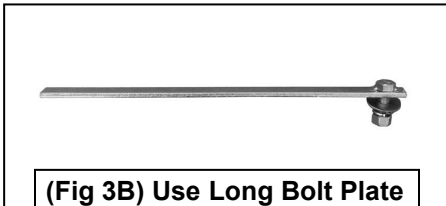


(Fig 3A) Inside view of Long Bolt Plate installed in driver side frame channel

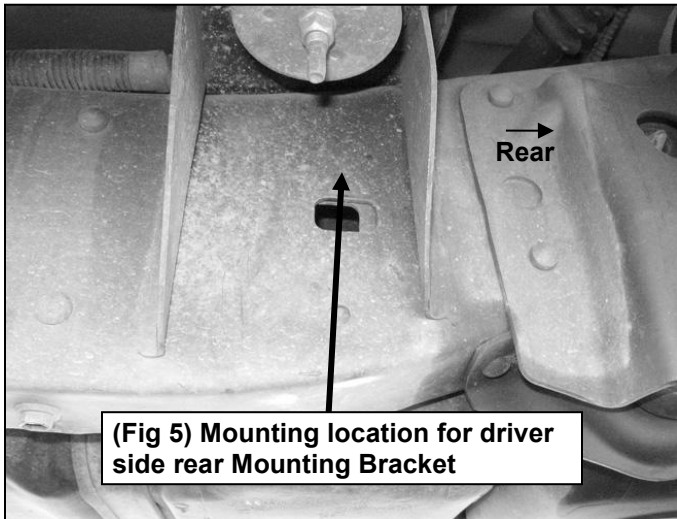
M12 Flat Washer
M12 Lock Washer
M12 Hex Nut



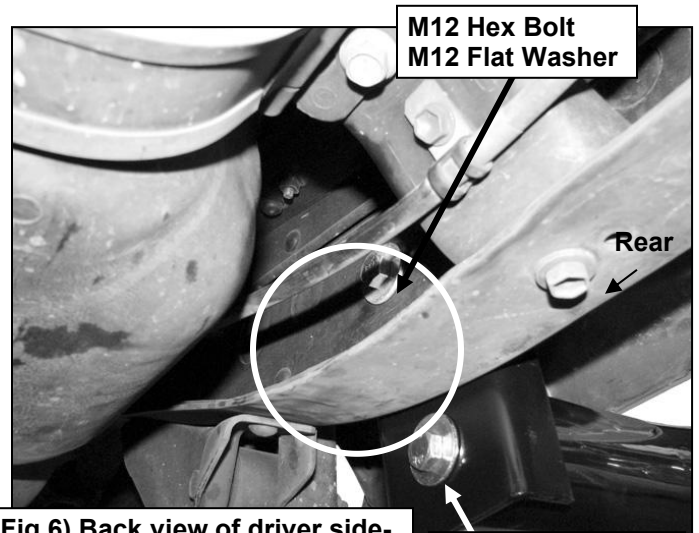
(2)M10 Hex bolts
(4)M10Flat Washers
(2)M10 Lock Washers
(2)M10 Hex Nuts



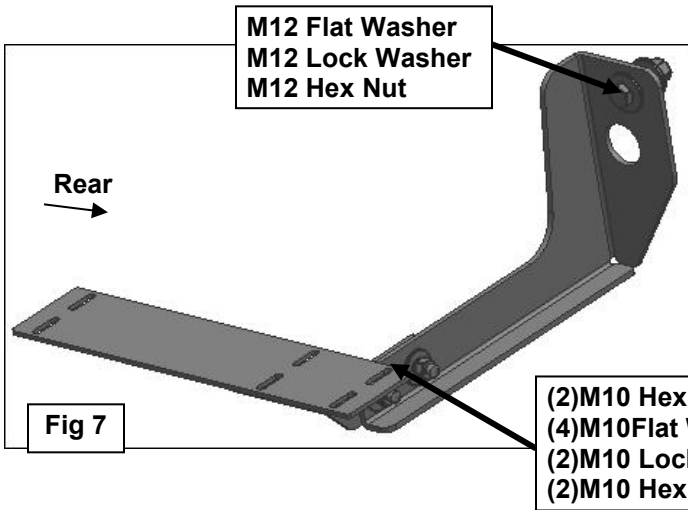
(Fig 3B) Use Long Bolt Plate for driver side installation and use Short Bolt Plate for passenger side only



(Fig 5) Mounting location for driver side rear Mounting Bracket

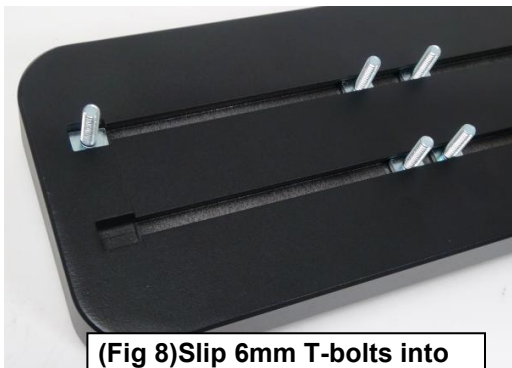


(Fig 6) Back view of driver side-rear frame channel pictured

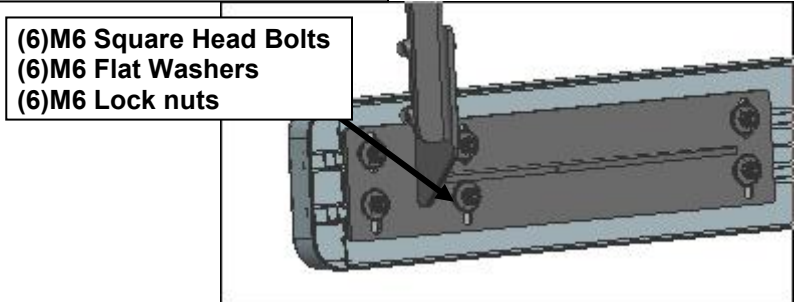


M12 Hex Bolt
M12 Lock Washer
M12 Flat Washer

(2)M10 Hex bolts
(4)M10 Flat Washers
(2)M10 Lock Washers
(2)M10 Hex Nuts



(Fig 8) Slip 6mm T-bolts into the bottom channel



(Fig 9) Running Board Installation