

Installation Instructions for IB20DJE6/IB20DJE8

by APS Auto Parts Specialist Inc.

Application: For 2005-2018 Toyota Tacoma Extended/Access Cab/Double/Crew Cab
Estimated Time: 1 to 2 hours



Disclaimer: Instructions intended for persons aged 18+ please do not attempt without adult supervision. Instructions are not intended to replace professional installation. Damage from improper installation, misuse or modification to the product voids the manufacturer's warranty.

PARTS LIST:

Item	QTY	Description	Item	QTY	Description
#1	2	Running Board(use for left or right)	#7	12	M8 Lock Washers
#2	1	Driver/Left Front Mounting Bracket (DFM)	#8	12	M8 Flat Washers
#3	1	Passenger/Right Front Mounting Bracket (PFM)	#9	12	M6 x 1 -20mm T-Bolts
#4	2	Driver Center/Passenger Rear Mounting Bracket (DC/PRM)	#10	12	M6 Flat Washers
#5	2	Driver Rear/Passenger Center Mounting Bracket (PC/DRM)	#11	12	M6 Nylon Lock Nuts
#6	12	M8x1.25 - 30mm Hex Bolts			



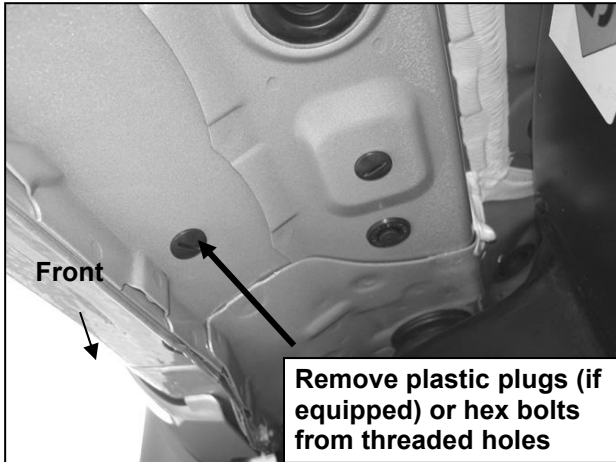
1. **REMOVE CONTENTS FROM BOX. VERIFY ALL PARTS ARE PRESENT. READ INSTRUCTIONS CAREFULLY. ASSISTANCE IS RECOMMENDED.**
2. Starting on the driver side front of the vehicle, remove the existing (2) factory bolts, (or plastic plugs) **(Figure 1)**. This will be the mounting location for the driver side front Mounting Bracket.
3. Select the driver side Front Bracket, **(Figure 2)**. Attach the Bracket to the vehicle using the included (2) M8 x 30mm Hex Bolts, (2) M8 Lock Washers and (2) M8 Flat Washers, **(Figure 3)**. Do not tighten hardware at this time.
4. Move along the side panel to the next mounting location closest to the front Bracket, **(Figure 4)**. Repeat **Step 2 & 3** to install the driver side Center Bracket, **(Figures 5 & 6)**.
5. Next, move to the last mounting location at the back of the cab. Select the driver side Rear Bracket, **(Figure 7)**. Repeat **Steps 2 & 3** to install the rear Bracket, **(Figure 8)**.
6. Select the Running Board. Slip (12) M6 T-Bolts into each bottom channel **(Figure 9)**. Carefully position the Running Board onto the (3) Mounting Brackets. **IMPORTANT:** Do not slide the Running Board on the Brackets or damage to the finish may result. Attach the Running Board to the Mounting Brackets with (2) M6 T-bolts,(2)M6 flat washers and (2)M6 nylon lock nuts **(Figure 10)**. Do not tighten hardware.
7. Level and adjust the Running Board properly and tighten all hardware. **NOTE: Torque all M6 nylon lock nuts to 7 lb-ft.**
8. Repeat **Steps 2—7** for passenger side installation. **NOTE: The Passenger Center location use the same Mounting Bracket as Drive Rear Mounting Bracket. The Passenger Rear location use the same Mounting Bracket as Drive Center Mounting Bracket.**
9. Do periodic inspections to the installation to make sure that all hardware is secure and tight.

To protect your investment, wax this product after installing. Regular waxing is recommended to add a protective layer over the finish. Do not use any type of polish or wax that may contain abrasives that could damage the finish.

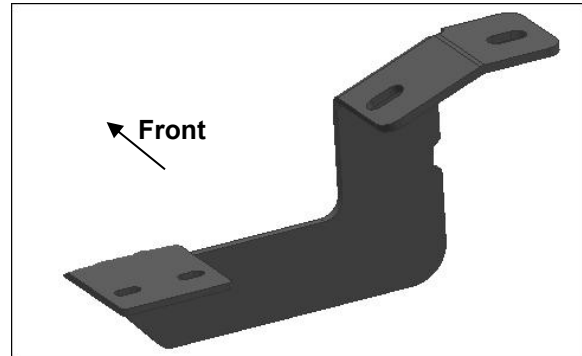
For Polished Finishes: Aluminum polish may be used to polish small scratches and scuffs on the finish. Mild soap may be used also to clean the Running Board.

For black finishes: Mild soap may be used to clean the Running Board.

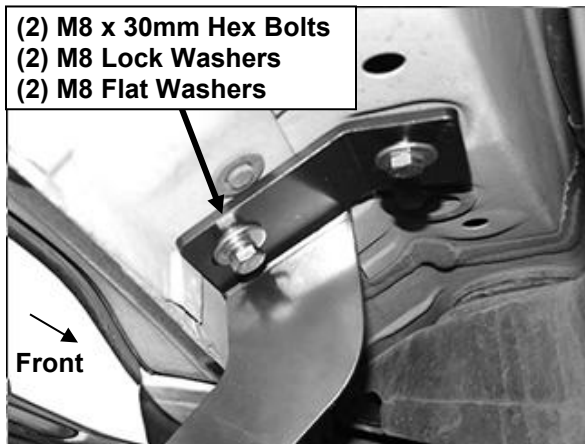
Driver Side Installation Pictured



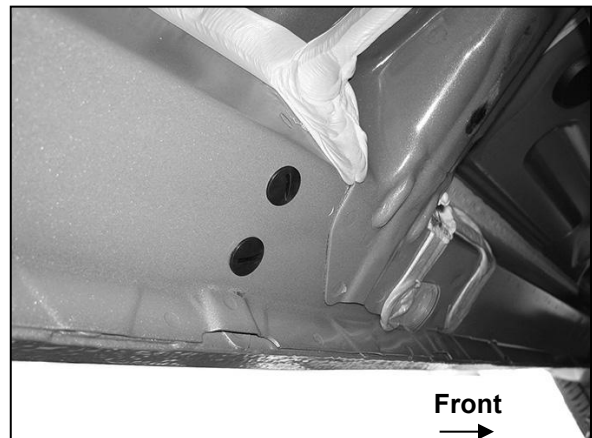
(Fig 1) Driver/Left Front Mounting Location Pictured



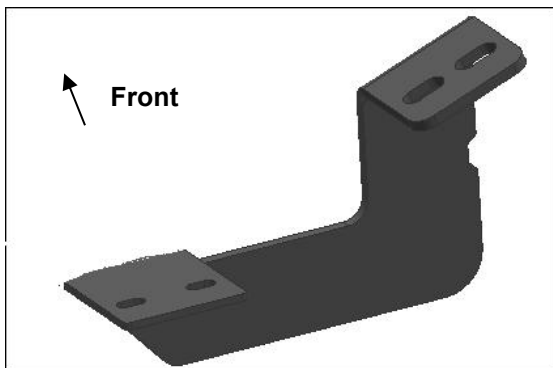
(Fig 2) Driver/Left Front Mounting Bracket



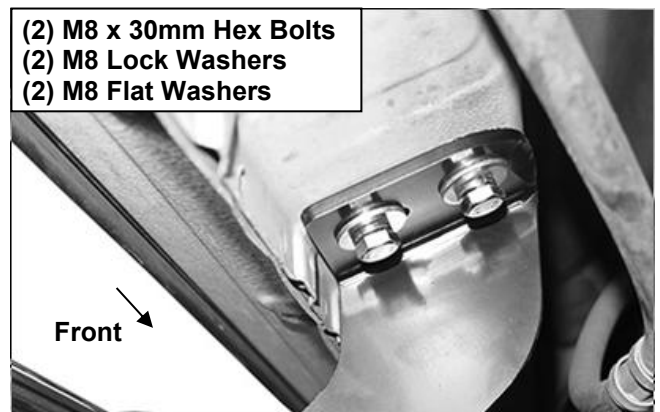
(Fig 3) Driver/Left Front Mounting Location Pictured



(Fig 4) Example of center and rear locations

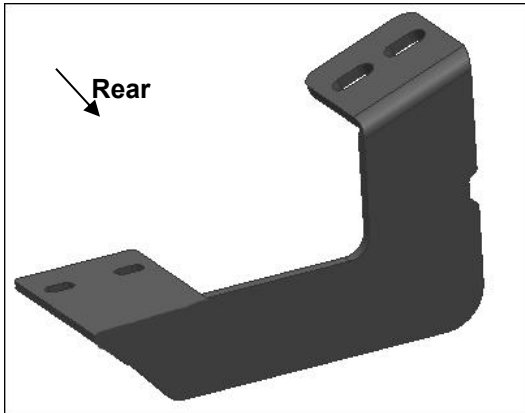


(Fig 5) Driver/Left center Bracket



(Fig 6) Driver/Left center Bracket installed

Driver Side Installation Pictured



(Fig 7) Driver/Left rear Bracket



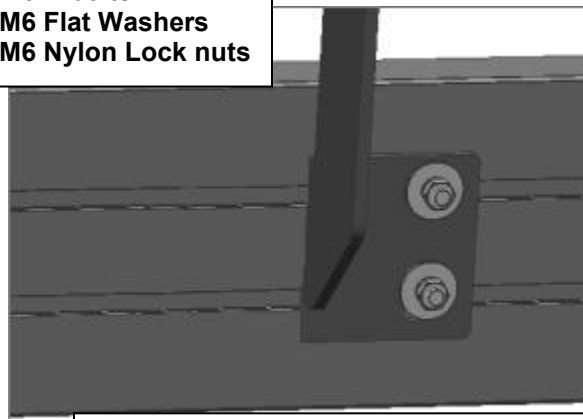
- (2) M8 x 30mm Hex Bolts
- (2) M8 Lock Washers
- (2) M8 Flat Washers

(Fig 8) Driver/Left Rear Bracket Pictured



(Fig 9) Slip M6 T-bolts into the bottom channel

- (2)M6 T-bolts
- (2)M6 Flat Washers
- (2)M6 Nylon Lock nuts



(Fig 10) Drive side Bracket installation



Complete Installation