

Installation Instruction

Part#: IB14DJD9A

REV: 20130801

Application: For 04-12 Nissan Titan Ext/King Cab

Item	Part Name	QTY	Item	Part Name	QTY
1	Drive Side Bar	1	2	Passenger Side Bar	1
3	Driver Mounting Bracket (L)	3	4	Passenger Mounting Bracket (R)	3
5	M8 Flat Washer	12	6	M8x1.25-25mm Button Head Bolt	6
7	M8x1.25mm Nylon Nut	6	8	M6 Flat Washer	24
9	M6 Square Hex Bolt	24	10	M6 Nylon Lock Nuts	24



Step	Installation
1	<u>REMOVE CONTENTS FROM BOX.VERIFY ALL PARTS ARE PRESENT.READ INSTRUCTIONS CAREFULLY .USE ILLUSTRATION TO PORPERLY IDENTIFY BARCKETS AND SIDEBRS.</u>
2	Starting installation from driver side rocker panel of the vehicle.
3	Located on the inside as well as the bottom inner of the rocker panel you will see one thread hole and one thread stud for each mounting bracket refer to Figure1.(Note all bracket are labeled)
4	Install mounting brackets to inner rocker panel using M6 Flat Washer M6 Square Hex Bolt & M6 Nylon Lock Nuts, as shown in Figure 2. Finger tighten only.
5	Attach side bar to brackets using M8 button head bolts & washers. Align the side bar with the vehicle body, then tighten & torque all fasteners. Repeat steps for passenger side to complete installation.

The instruction here is for your reference only. We strongly recommend the professional installer for best result. We are not responsible for any damage caused by the installation. Thank you for choosing our product!

Installation Instruction

Part#: IB14DJD9A

REV: 20130801

Application: For 04-12 Nissan Titan Ext/King Cab



Figure1

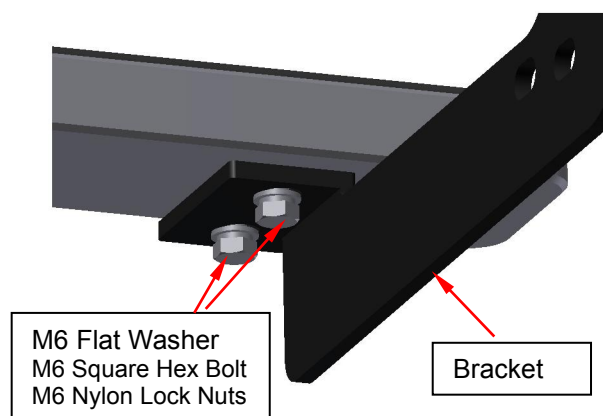


Figure 2

Protect the finish with a non-abrasive automotive wax. The use of soap, Polish, or wax that contains abrasives is detrimental, As the compounds scratch the finish and open it to corrosion.

DISCLAIMER- Buyer assumes all risk and liability whatsoever from the installation and use of our products. Our products are sold as decorative accessories and should not be relied upon as protection for vehicle or occupants in the event of a collision or roll over. The Manufacturer assumes no liability for injury, loss incidental or consequential damages in the event of a collision or rollover.

The instruction here is for your reference only. We strongly recommend the professional installer for best result. We are not responsible for any damage caused by the installation. Thank you for choosing our product!