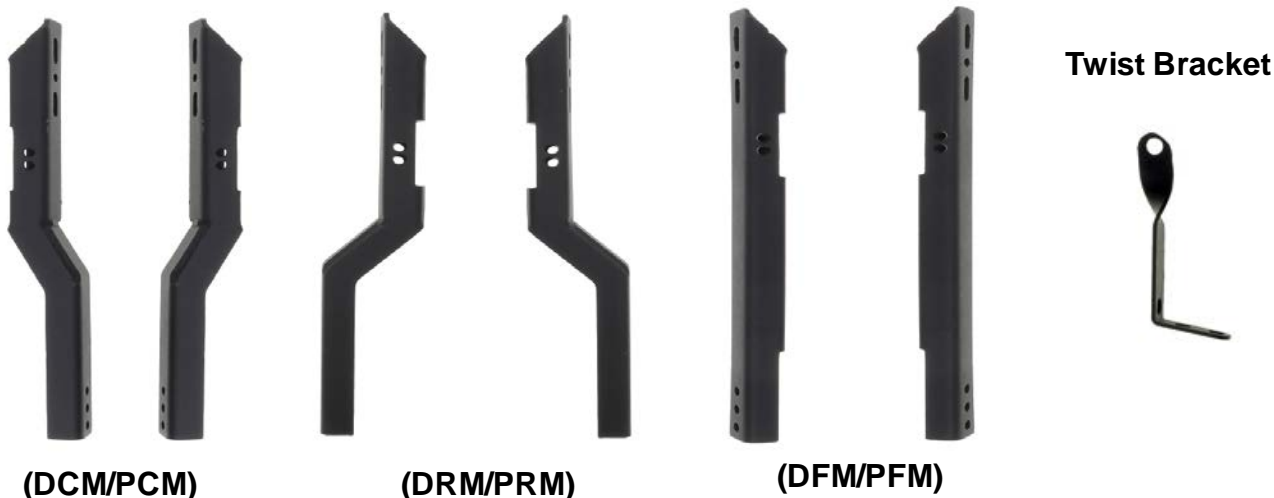


# iRunning Board Installation Instruction

**Application: 1994-1998 Jeep Grand Cherokee (Laredo ONLY)**

REV: 20170601

Item	Part Name	QTY	Item	Part Name	QTY
1	STEP BOARD	2	7	ST 6.3-22 Self Drilling screw	16
2	Front Bracket (DFM/PFM)	2	8	M8 Flat Washers	32
3	Rear Bracket (DRM /PRM)	2	9	M8X1.25mm Nylon Lock Nuts	16
4	Center Bracket (DCM/PCM)	4	10	M6 Square Hex Bolt	16
5	Twist Bracket	8	11	M6 Nylon Lock Nuts	16
6	M8X1.25-20mm Hex Head Bolt	16	12	M6 Flat Washers	16



Step	Description
1	Verify all parts are present. Read and understand instructions before beginning.
2	Drill M8 holes in pinch weld as shown <b>(See FIG 1 and 2)</b> .
3	Attach twist brackets as shown. Hand tighten. <b>(See FIG 2 and 3)</b> .
4	Attach mounting brackets as shown. Hand tighten <b>(See FIG 3 and 4 )</b>
5	Insert square head bolts as shown (4 per slot, 8 per Step board/Running board) <b>(See FIG 5)</b> .
7	Attach Step board / Running board to brackets as shown. Align and tighten . <b>(See FIG 6)</b> .
9	<b>INSTALLATION IS COMPLETE.</b>

### FINISH PROTECTION

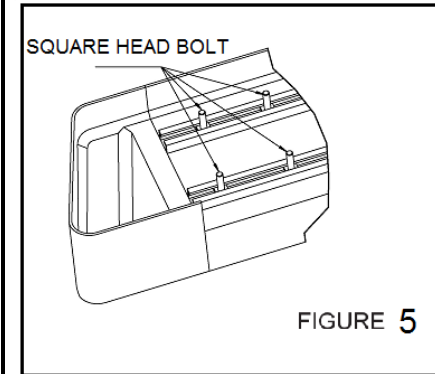
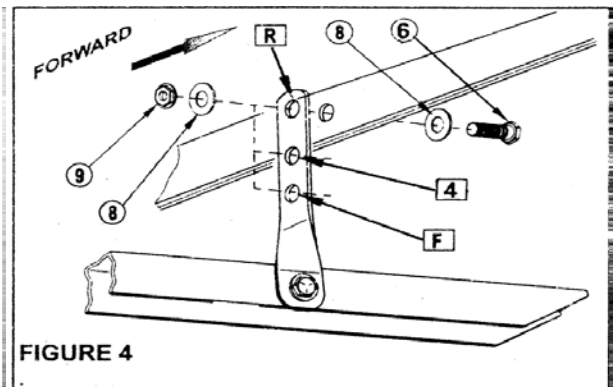
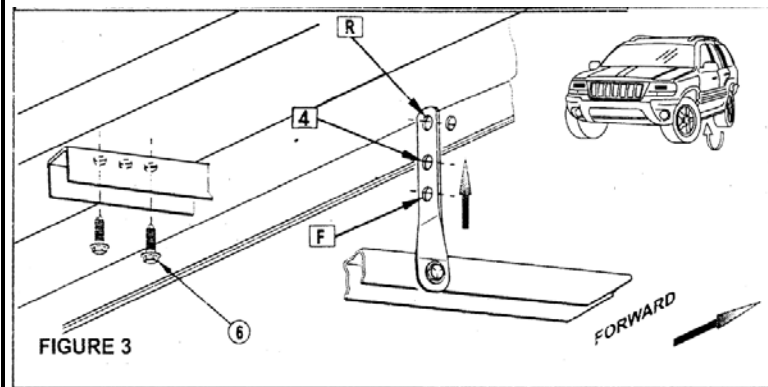
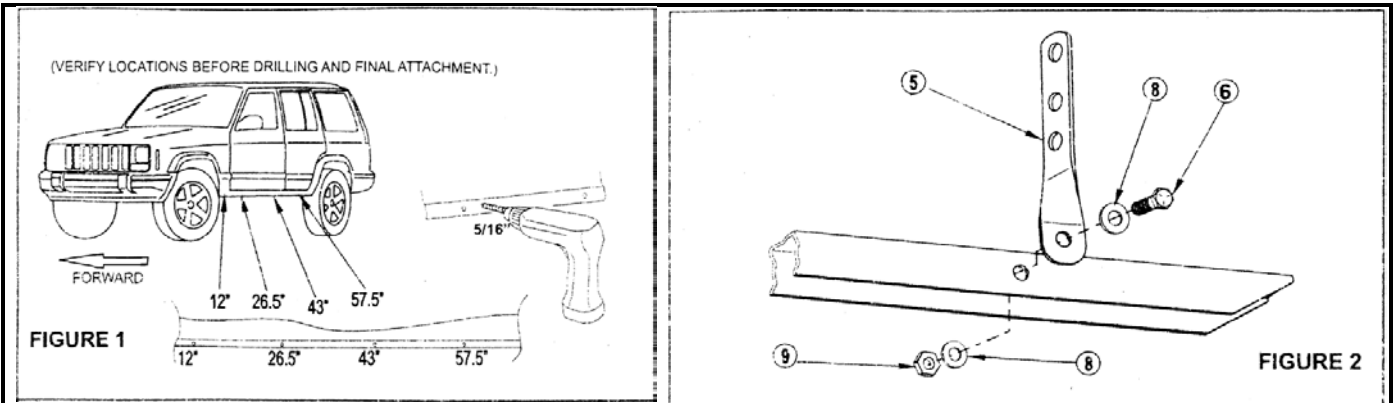
Products have a high quality finish that must be cared for like any other exposed finish on the vehicle. Protect the finish with a non-abrasive automotive wax, (e.g.Pure Carnauba ) on a regular basis. The use of any soap, polish or wax that contains an abrasive is detrimental, as the compounds scratch the finish and open it to corrosion.

The instruction here is for your reference only. We strongly recommend the professional installer for best result. We are not responsible for any damage caused by the installation. Thank you for choosing our product!

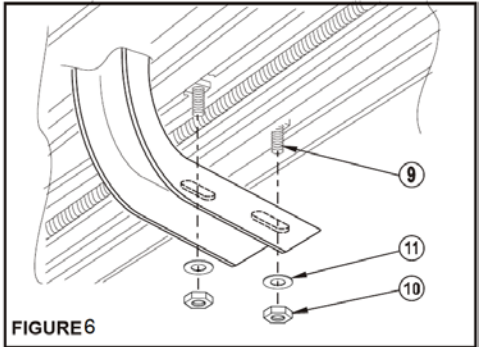
# iRunning Board Installation Instruction

**Application: 1994-1998 Jeep Grand Cherokee (Laredo ONLY)**

REV: 20170601



\*Pictures are for reference only, actual bars may be a little different.



The instruction here is for your reference only. We strongly recommend the professional installer for best result. We are not responsible for any damage caused by the installation. Thank you for choosing our product!