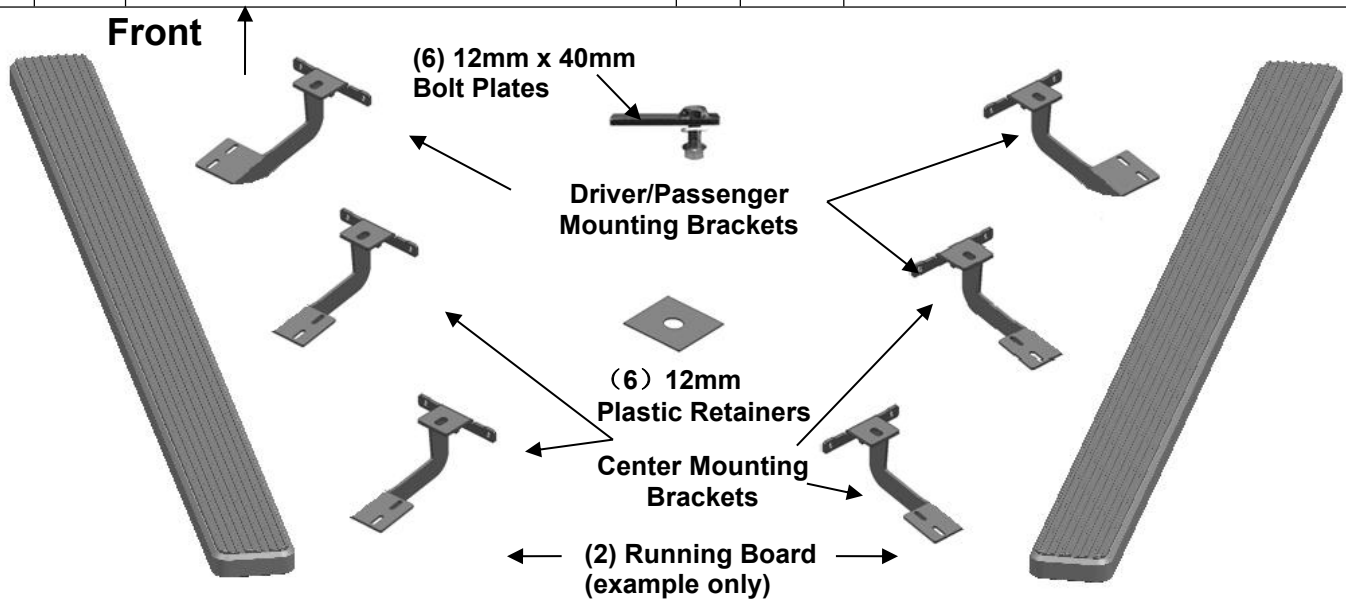


PARTS LIST:

Item	QTY	Description	Item	QTY	Description
#01	2	Running Board(use for left or right)	#08	6	12mm Serrated Flange Nuts
#02	1	Driver/Left Front Mounting Brackets	#09	6	12mm Flat Washer
#03	1	Passenger/Right Front Mounting Brackets	#10	12	6-1.0mm x 25mm Hex Bolts
#04	2	Driver/Left Center Mounting Brackets	#11	12	6-1.0mm x 20mm T-Bolts
#05	2	Passenger/Right Center Mounting Brackets	#12	36	6mm x 22mm OD x 2mm Flat Washers
#06	6	12-1.75mm x 40mm Bolt Plates	#13	24	6mm Nylon Lock Nuts
#07	6	12mm Plastic Retainers			



PROCEDURE:

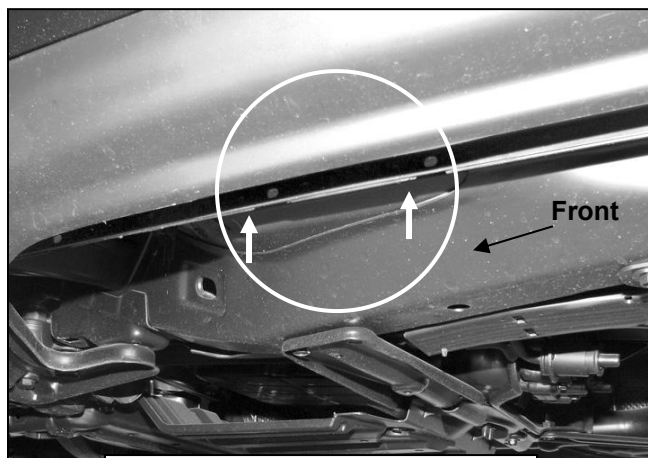
- 1. REMOVE CONTENTS FROM BOX. VERIFY ALL PARTS ARE PRESENT. READ INSTRUCTIONS CAREFULLY BEFORE STARTING INSTALLATION. EXCLUDES SRT8 AND TRAILHAWK.**
- Starting at the passenger side front, locate the 3 pairs of (2) small holes in the pinch weld, (**Figures 1 & 2**). Remove the rubber plug filling the oval hole in the bottom of the rocker panel directly in front of the (2) holes, (**Figure 3**). Select (1) 12mm Bolt Plate and (1) 12mm Plastic Retainer, (**Figure 4A**). Thread the Retainer part way onto the Bolt Plate. **NOTE:** The Retainer will help hold the Bolt Plate in position during Bracket installation. Insert the Bolt Plate into the hole and rotate 90-degrees to the slot, (**Figures 4B & 5**). Thread the Retainer down until it is tight against the sheet metal.
- Select (1) passenger side Mounting Bracket. Hang the Bracket from the Bolt Plate with (1) 12mm Flat Washer and (1) 12mm Flange Nut, (**Figures 6 & 7**). Next, bolt the mounting plate on the Bracket to the front of the pinch weld with (2) 6mm x 25mm Hex Bolts, (4) 6mm Flat Washers and (2) 6mm Nylon Lock Nuts, (**Figure 6**). **NOTE:** Insert 6mm Hex Bolts with Flat Washers through the back of the pinch weld first, and then out through the Bracket. **IMPORTANT:** The passenger side of the vehicle may have a wiring harness attached behind the pinch weld, (**Figure 7**). Remove the hex nuts and drop the harness down before installing the Brackets. 6mm Hex Bolts install from the inside first, then through the Bracket to clear the harness, (**Figure 8**). Snug but do not fully tighten hardware at this time.
- Repeat **Steps 2 – 3** for center and rear Mounting Bracket installation.
- Select the Running Board. Slip (6) 6mm T-Bolts into each bottom channel (**Figure 10**). Carefully position the Running Board onto the Mounting Brackets. Attach the Running Board to the Mounting Brackets with (2) 6mm T-bolts, (2) 6mm flat washers and (2) 6mm lock nuts, (**Figure 11**). Do not tighten hardware at this time.

- Adjust and level the Running Board and tighten all hardware. Reinstall wire harness, (**Step 3**), if equipped.
- Repeat **Steps 2 – 6** for passenger/right Running Board installation.
- Do periodic inspections to the installation to make sure that all hardware is secure and tight.

To protect your investment, wax this product after installing. Regular waxing is recommended to add a protective layer over the finish. Do not use any type of polish or wax that may contain abrasives that could damage the finish.

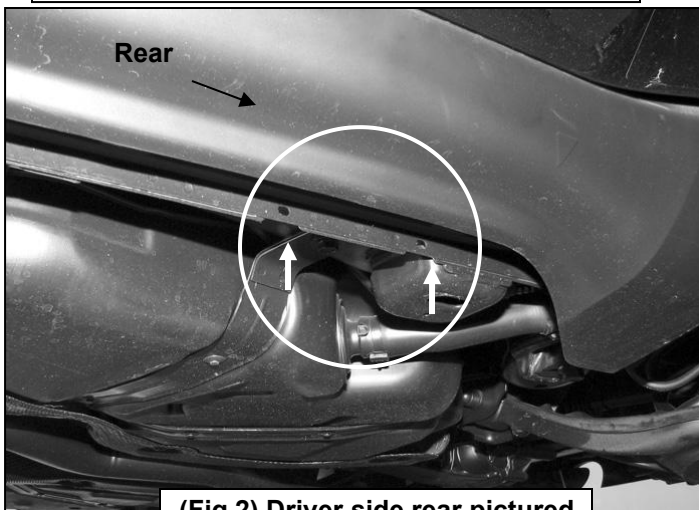
For Polished Finishes: Aluminum polish may be used to polish small scratches and scuffs on the finish. Mild soap may be used also to clean the Running Board.

For Black Finishes: Mild soap may be used to clean the Running Board.



(Fig 1) Driver side front pictured

To determine the correct mounting locations, locate the three pairs (front, center and rear) of (2) factory holes in the pinch weld



(Fig 2) Driver side rear pictured

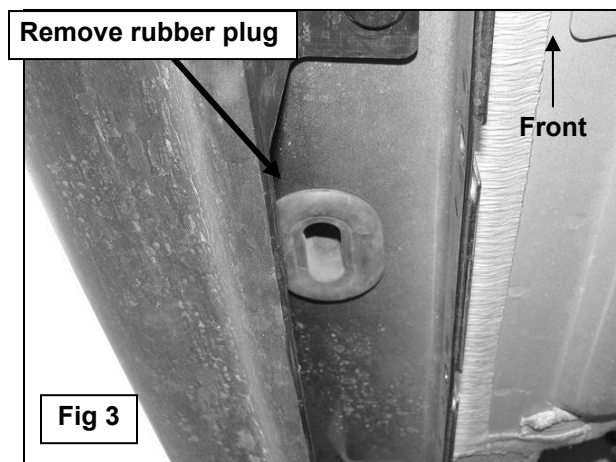


Fig 3



(Fig 4A) 12mm x 40mm Bolt Plate

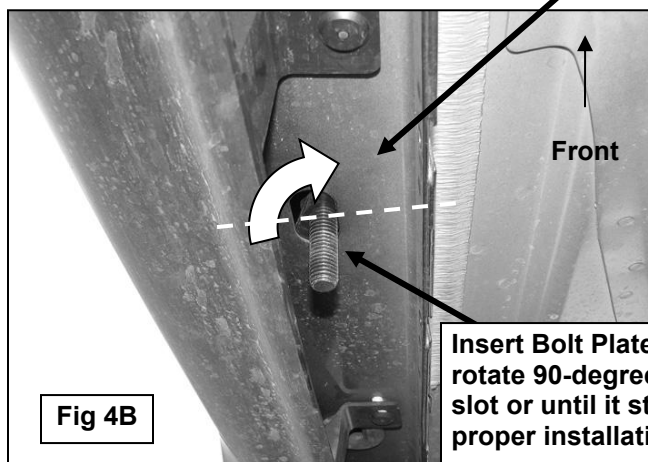
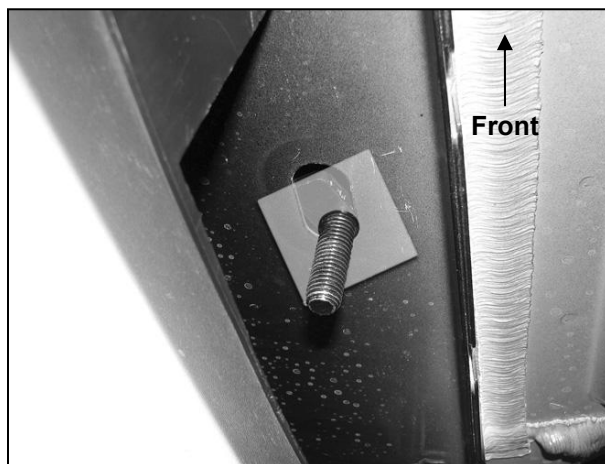


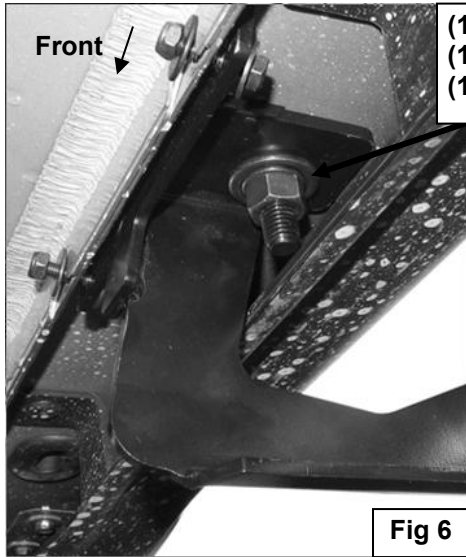
Fig 4B

Insert Bolt Plates then rotate 90-degrees to the slot or until it stops for proper installation



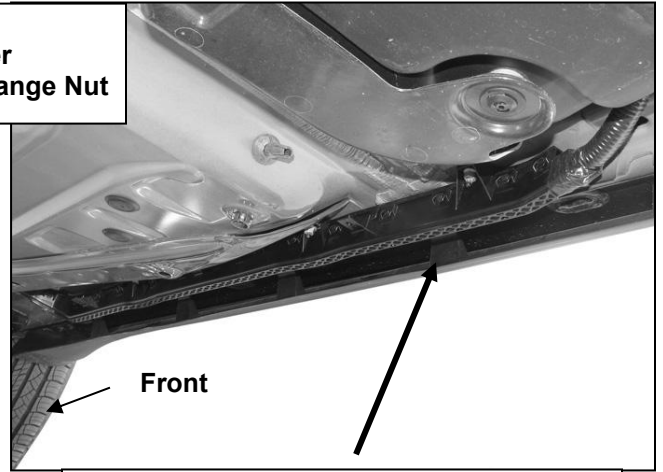
(Fig 5) Thread Plastic Retainer onto Bolt Plate

Passenger Side Installation Pictured



- (1) 12mm Bolt Plate
- (1) 12mm Flat Washer
- (1) 12mm Locking Flange Nut

Fig 6



(Fig 7) Pass side wiring harness pictured

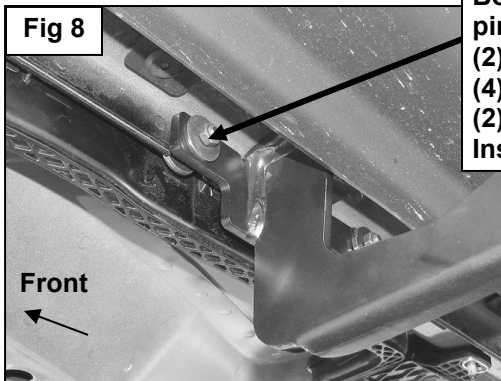


Fig 8

- Bolt Mounting Bracket to outside of pinch weld with:
- (2) 6mm x 25mm Hex Bolts
 - (4) 6mm x 18mm Flat Washers
 - (2) 6mm Nylon Lock Nut
- Insert Hex Bolts from inside to outside

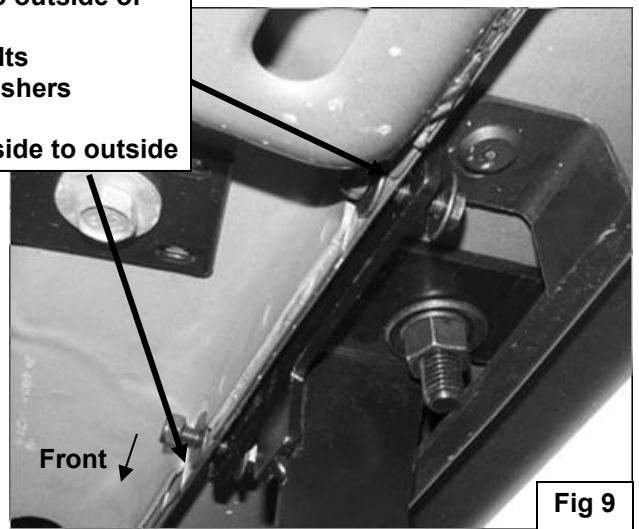
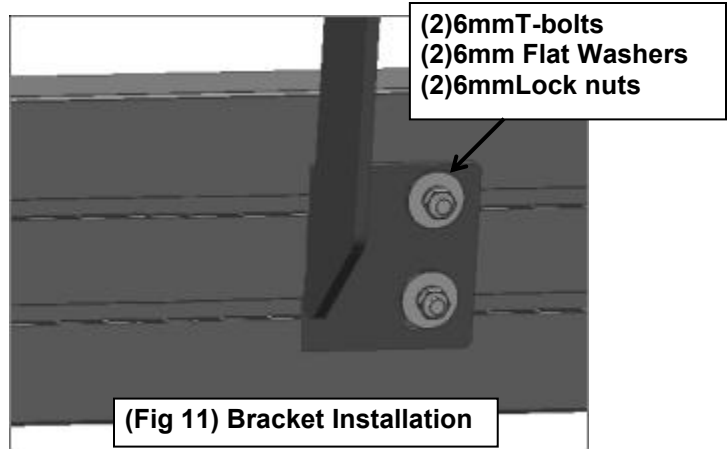


Fig 9



(Fig 10) Slip 6mm T-bolts into the bottom channel



(Fig 11) Bracket Installation