

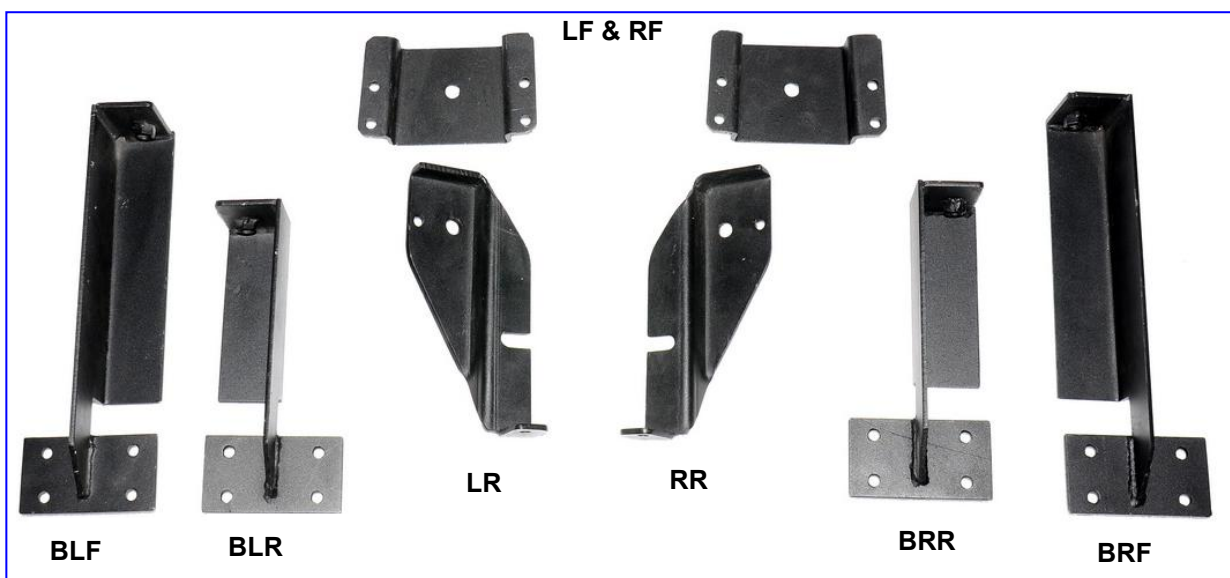
Installation Instruction

Part#: IB10DBA7A

REV: 20141201

Application: For 84-00 Jeep Cherokee 4 door

Item	Description	QTY	Item	Description	QTY
1	Driver/Left Sidebar	1	10	M12x50mm Hex Bolt	4
2	Passenger/Right Sidebar	1	11	M12 Flat Washer	4
3	Driver Front Bar Bracket (BLF)	2	12	M12 Lock Washer	4
4	Driver Rear Bar Bracket (BLR)	1	13	M10x25mm Hex Bolts	10
5	Passenger Front Bar Bracket (BRF)	1	14	M8x30mmHex Bolt	16
6	Passenger Rear Bar Bracket (BRR)	1	15	M8 Lock Washer	16
7	Driver & Passenger Front Mounting Bracket (LF&RF)	2	16	M8 Flat Washer	16
8	Driver Rear Mounting Bracket (LR)	1	17	M10 Tap	1
9	Passenger Rear Mounting Bracket (RR)	1			



Step	Installation Instruction
REMOVE CONTENTS FROM BOX. VERIFY ALL PARTS ARE PRESENT. READ INSTRUCTIONS CAREFULLY BEFORE STARTING INSTALLATION.	
1	Install the Bar Brackets on the Drive sidebar & Passenger sidebar, as shown Figure 1A & 1B.
2	Start install from Driver Side of the vehicle.
3	Remove the factory bolts in the front and rear body mounts that go up into the truck cab.
4	Install both front and rear mounting brackets onto the Sidebar Assembly using (4) M12x50mm Hex Head Bolts,(4)M12 lock washers, & (4) M12 flat washers, finger-tighten, as shown Figure.2

The instruction here is for your reference only. We strongly recommend the professional installer for best result. We are not responsible for any damage caused by the installation. Thank you for choosing our product!

Installation Instruction

Part#: IB10DBA7A

REV: 20141201

Application: For 84-00 Jeep Cherokee 4 door

5	Loosen the rear spring bolt, enough to side the slotted top edge of the rear bracket can be slid underneath the hex bolt. NOTE: DO NOT REMOVE THIS BOLT. SEE Figure.3
6	Place the rear Mounting bracket (LR) on the sidebar assembly to the Spring Bolt, and tighten the Spring Bolt until it holds the rear mounting bracket in place .See Figure.3
7	Hold up the front end of the sidebar assembly to the front of the sub frame. Check to be sure the Step Bar is properly aligned with the Body, and then mark (4) holes location on the frame of the vehicle. NOTE: On some models be cautious of the diagonal oblong hole it may be necessary to locate the front mounting bracket at an angle to miss hole. See Figure.3
8	Drill (4) ϕ 8.5mm holes for the front bracket & (1) hole for the Rear Mounting Bracket using electric drill. And then tap M10 thread on the holes with the supplied M10 tap.
9	Secure the front & Rear Mounting Bracket to the sub frame using (5) M10x25mm Hex Bolts. NOTE: DO NOT OVER TIGHTEN THESE BOLTS.
10	Tighten and torque M12 fasteners to 65 ft_lbs. and M10 Hex Bolts to 20 ft_lbs and Spring Bolts to 70 ft_lbs.
11	Repeat steps on Passenger side of vehicle.
12	Be sure to use all hardware supplied and tighten all bolts.
<p>To protect your investment: wax this product after installing. Regular waxing is recommended to add a protective layer over the finish. Do not use any type of polish or wax that may contain abrasives that could damage the finish.</p> <p>For Polished Finishes: Aluminum polish may be used to polish small scratches and scuffs on the finish. Mild soap may be used also to clean the Sidebar.</p> <p>For Black Powder coated finishes: Mild soap may be used to clean the Sidebar.</p>	

The instruction here is for your reference only. We strongly recommend the professional installer for best result. We are not responsible for any damage caused by the installation. Thank you for choosing our product!

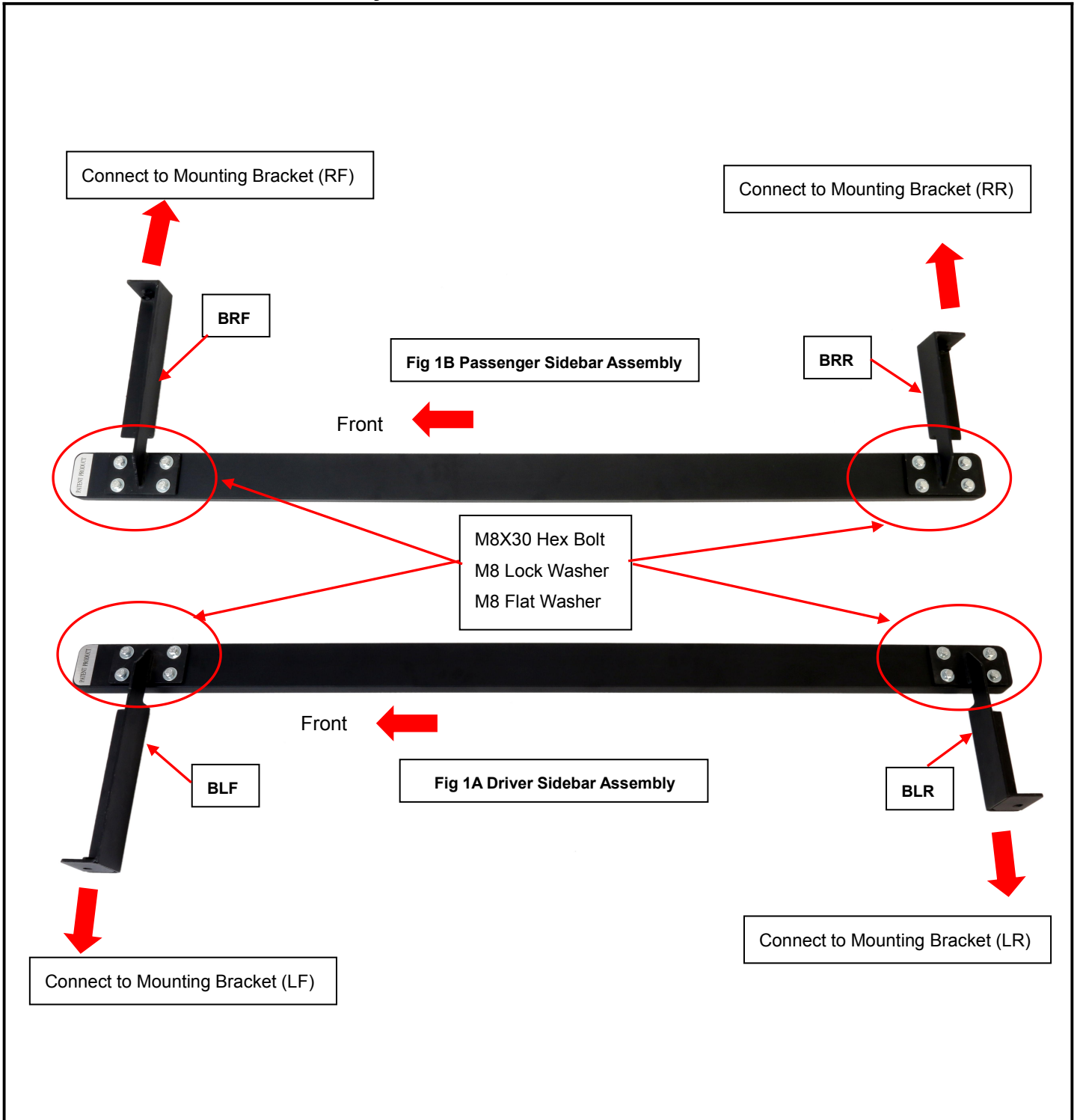
Installation Instruction

Part#: IB10DBA7A

REV: 20141201

Application: For 84-00 Jeep Cherokee 4 door

Sidebar & Bar Bracket Assembly Shown:



The instruction here is for your reference only. We strongly recommend the professional installer for best result. We are not responsible for any damage caused by the installation. Thank you for choosing our product!

Installation Instruction

Part#: IB10DBA7A

REV: 20141201

Application: For 84-00 Jeep Cherokee 4 door

Driver Side Installation pictures:

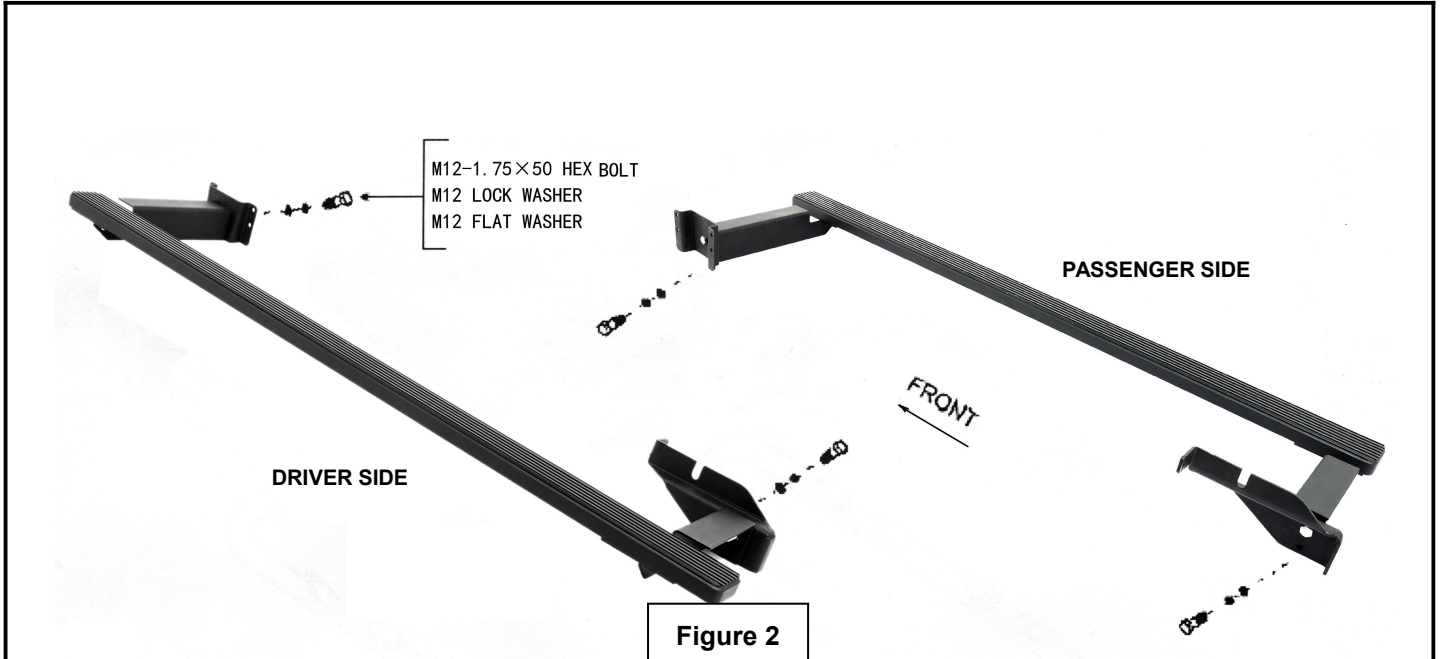


Figure 2

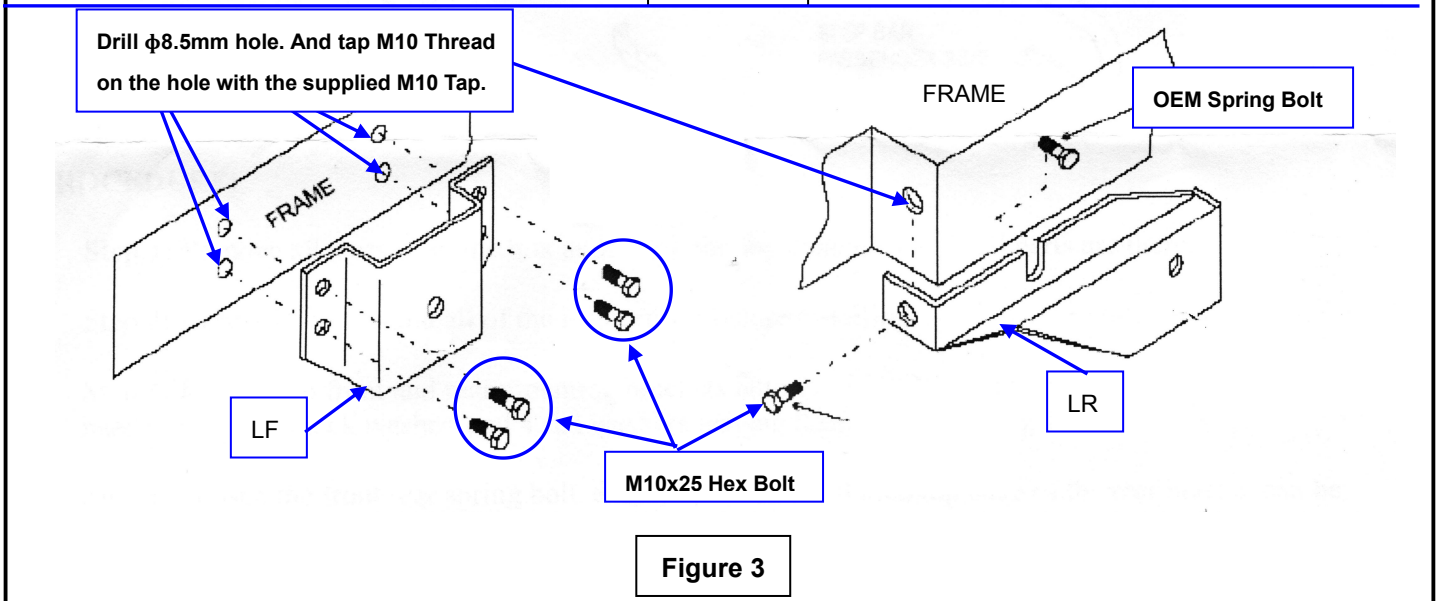


Figure 3

The instruction here is for your reference only. We strongly recommend the professional installer for best result. We are not responsible for any damage caused by the installation. Thank you for choosing our product!