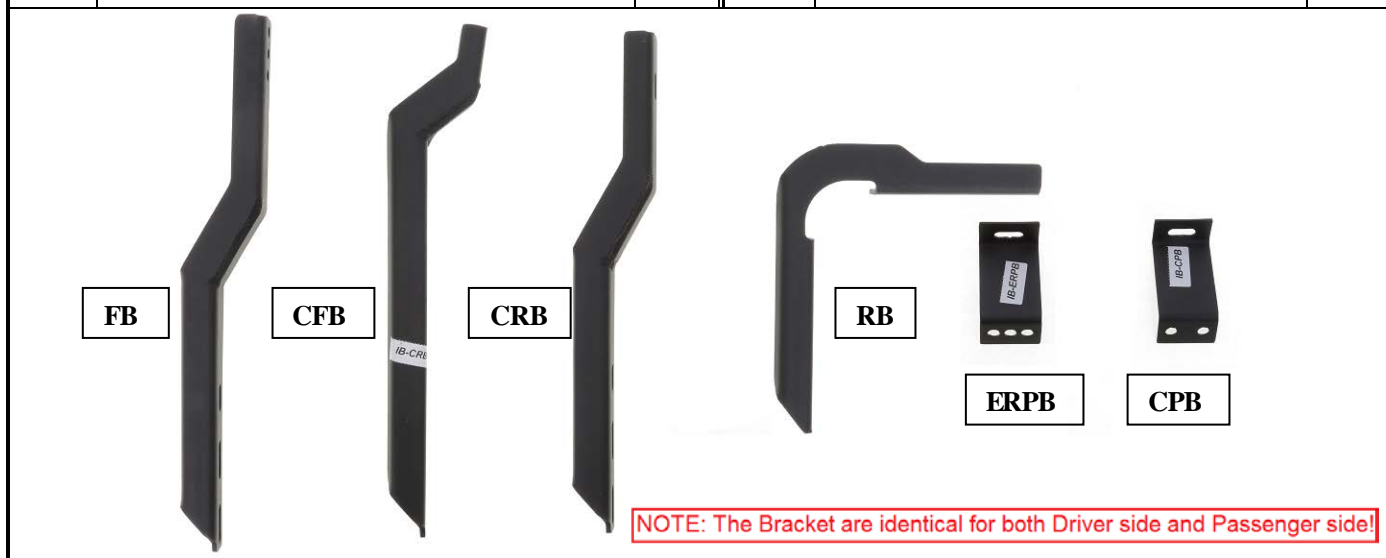


iRunning Board Installation Instruction

Application: 2003-2008 Honda Pilot
2002-2004 Acura MDX

REV: 20170601

Step	Description				
Item	Part Name	QTY	Item	Part Name	QTY
1	MAIN FRONT BRACKET (FB)	2	8	M6 Flat Washers	16
2	MAIN MIDDLE / REAR BRACKET (CRB)	2	9	M6 Square Hex Bolt	16
3	MAIN MIDDLE / FRONT BRACKET (CFB)	2	10	M8 Flat Washers	28
4	MAIN REAR BRACKET (RB)	2	11	M8 Nylon Lock Nuts	8
5	MIDDLE PINCH WELD HANGER (CPB)	4	12	SELF DRILLING SCREW	18
6	Front/Rear Pinch Weld Hanger (ERPB)	4	13	M6 Nylon Lock Nuts	16
7	M8x1.25-20 HEX HEAD BOLTS	20	14	Running Boards (Driver+Passenger)	2



1	Verify all parts are present. Read and understand instructions before beginning.
2	Remove plugs and install middle hanger brackets in locations as shown (See Fig 1, 2, 3 and 4) .
3	Attach middle front and middle rear brackets as shown (See Fig 3 and 4)
4	Insert square head bolts as shown (4 per slot, 8 per Step board/Running board) (See Fig 7) . Attach step board to middle brackets. Align and hand tighten (See Fig 8) . Locate position for front and rear hangers. Attach to rocker panel as shown (See Fig 5 and 6) . Attach front and rear brackets as shown (See Fig 5 and 6) .
6	Attach Step board / Running board to brackets as shown. Align and tighten.
8	INSTALLATION IS COMPLETE.

FINISH PROTECTION

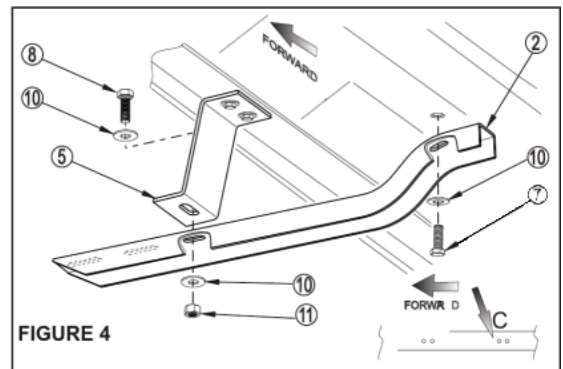
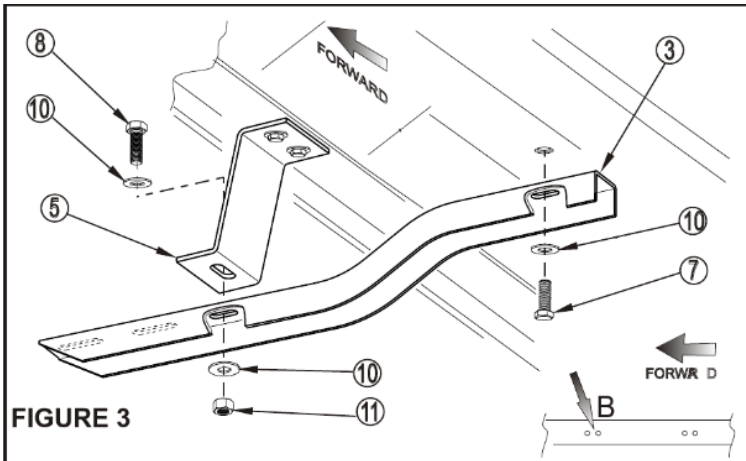
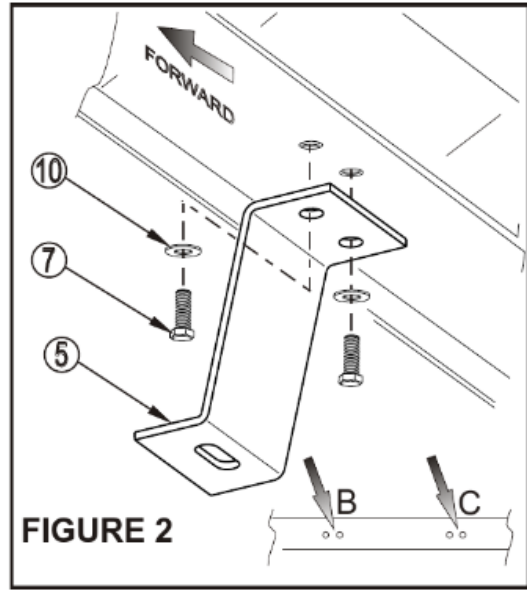
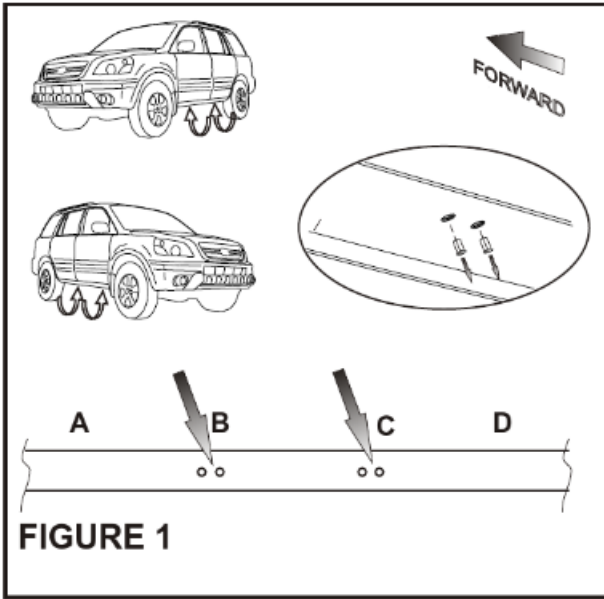
Products have a high quality finish that must be cared for like other exposed finish on the vehicle. Protect the finish with a non-abrasive automotive wax on a regular basis. The use of any soap, polish or wax that contains an abrasive is detrimental, as the compounds scratch the finish and open it to corrosion.

The instruction here is for your reference only. We strongly recommend the professional installer for best result. We are not responsible for any damage caused by the installation. Thank you for choosing our product!

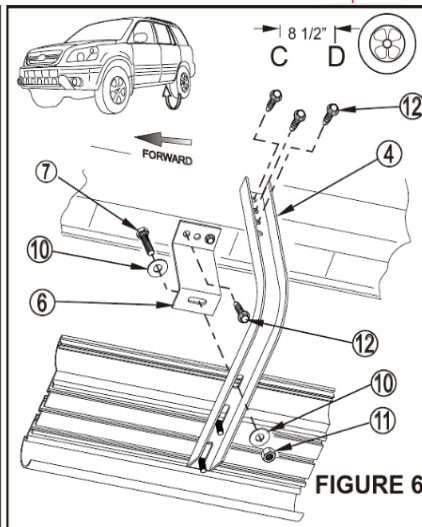
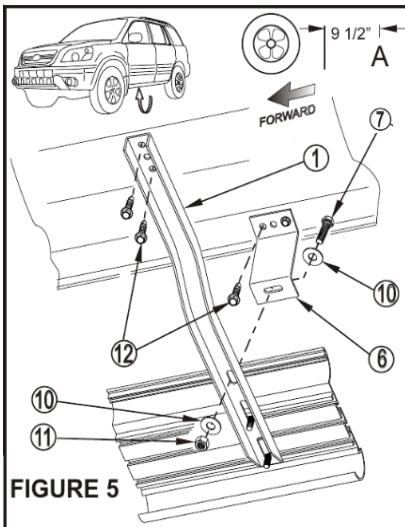
iRunning Board Installation Instruction

Application: 2003-2008 Honda Pilot
2002-2004 Acura MDX

REV: 20170601



***Pictures are for reference only, actual bars may be a little different.**



The instruction here is for your reference only. We strongly recommend the professional installer for best result. We are not responsible for any damage caused by the installation. Thank you for choosing our product!

iRunning Board Installation Instruction

Application: 2003-2008 Honda Pilot
2002-2004 Acura MDX

REV: 20170601

SQUARE HEAD BOLT

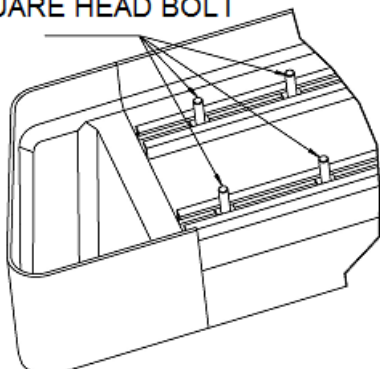


FIGURE 7

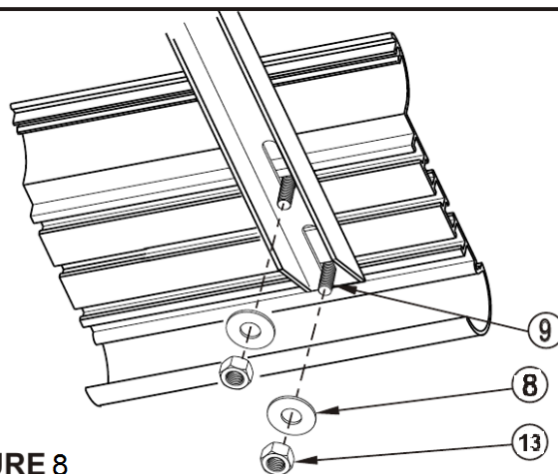


FIGURE 8

***Pictures are for reference only,
actual bars may be a little different.**



The instruction here is for your reference only. We strongly recommend the professional installer for best result. We are not responsible for any damage caused by the installation. Thank you for choosing our product!