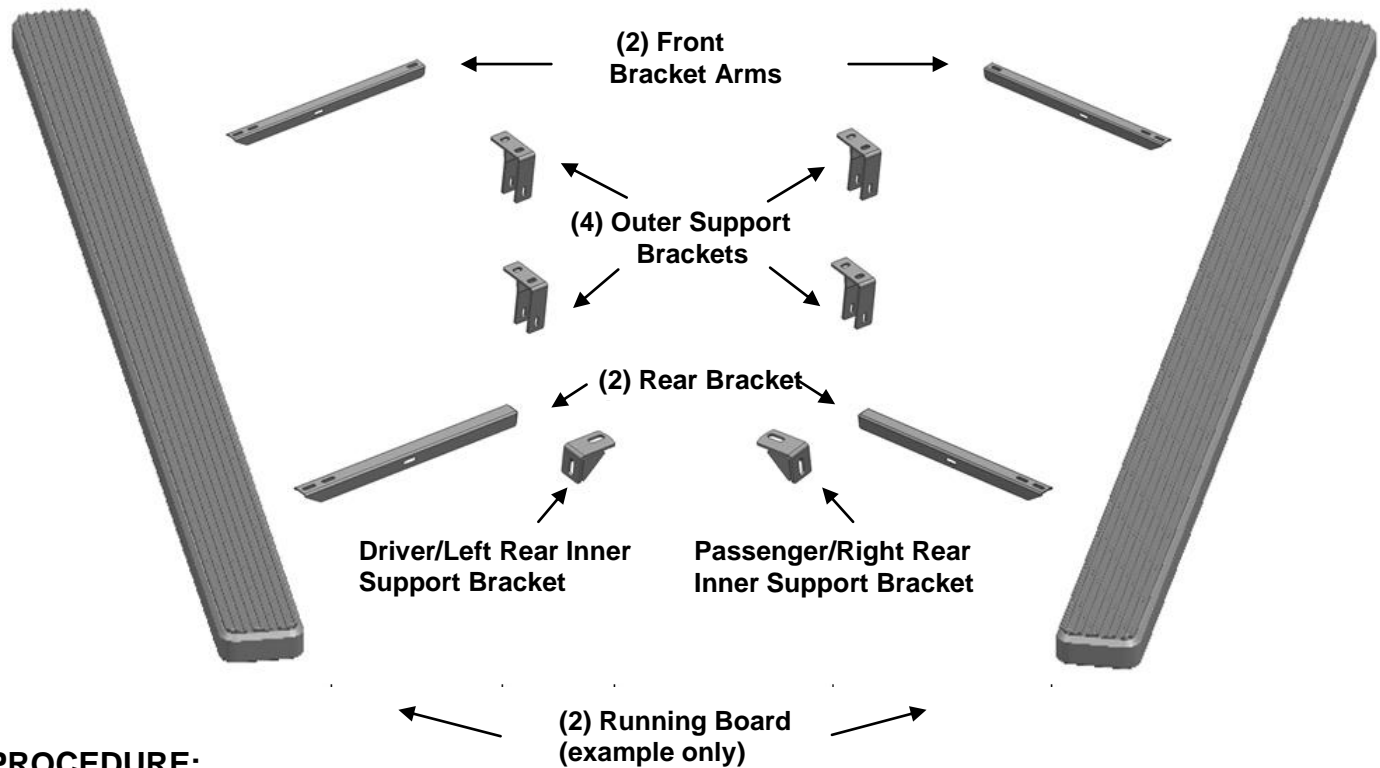


PARTS LIST:

Item	QTY	Description	Item	QTY	Description
#01	2	Running Board(use for left or right)	#11	4	8mm Hex Nuts
#02	2	Front Mounting Bracket Arms	#12	4	8mm x 60mm Hex Bolts
#03	2	Rear Mounting Bracket Arms	#13	8	8mm x 24mm OD x 2mm Flat Washers(BLACK)
#04	4	Outer Support Brackets	#14	12	8mm x 24mm OD x 2mm Flat Washers
#05	1	Driver/Left Rear Inner Support Bracket	#15	4	8mm Lock Washers(BLACK)
#06	1	Passenger/Right Rear Inner Support Bracket	#16	12	8mm Lock Washers
#07	2	10mm x 25mm Hex Bolts	#17	8	6-1.0mm x 20mm T-Bolts
#08	2	10mm x 20mm OD x 2mm Flat Washers	#18	8	6mm x 22mm OD x 2mm Flat Washers
#09	2	10mm Lock Washers	#19	8	6-1.0mm Hex Nuts
#10	12	8mm x 25mm Hex Bolts			

Front ↑



PROCEDURE:

- 1. REMOVE CONTENTS FROM BOX. VERIFY ALL PARTS ARE PRESENT. READ FACTORY BODY BOLT REMOVAL INSTRUCTIONS AND INSTALLATION INSTRUCTIONS CAREFULLY BEFORE STARTING INSTALLATION.**
- Identify and separate the driver and passenger side front and rear Mounting Brackets. Start installation on the driver/left side of the vehicle.
- Cut out the paper template on **Page 7** labeled "Driver Side," (**Figure 1**). Cut out the square section on the bottom of the Template and the (2) 8mm holes on the top. Fold the top of the Template up along the dotted line, (**Figure 2**). Hold the Template in place over the outer (2) factory 8mm threaded holes next to the pinch weld, (**Figures 3 & 4**). **IMPORTANT:** There are (4) threaded holes at each mounting location, (2) inner on bottom of frame channel and (2) outer next to pinch weld, (**Figure 5**). Hold the correct Template over the outer threaded holes and up against the plastic cover, (**Figure 4**). Use a

marker to trace the cut out section on the bottom of the Template onto the plastic cover. Repeat this Step to mark the rear bracket location for cutting.

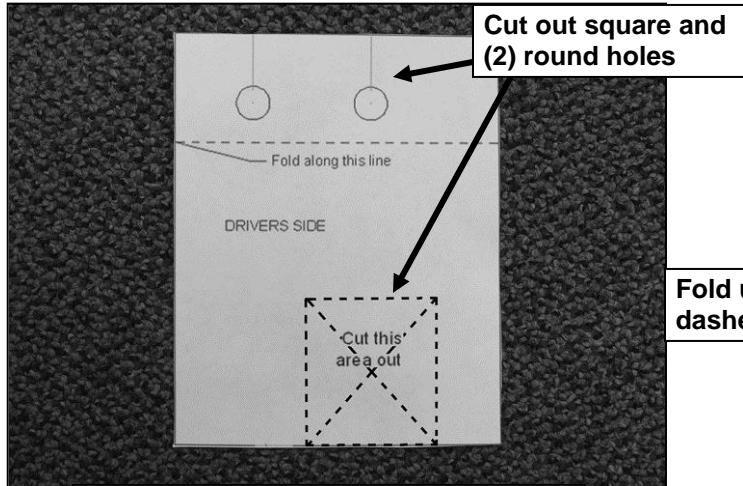
4. Remove the plastic cover. Cut out the (2) sections as marked. **VERY IMPORTANT:** The Templates are driver and passenger side specific and have been provided for reference use only. It is the installer's responsibility to be absolutely sure that the correct location has been marked before cutting the plastic cover. To verify the locations before cutting, temporarily assemble the Mounting Brackets as pictured on **Page 2** and check the locations on the cover.
5. Partially install the plastic cover. **IMPORTANT:** Attach the cover to the vehicle with the outer, (next to pinch weld), hardware only. Allow the cover to hang in place from the outer hardware. Do not install inner hardware at this time.
6. Locate the forward (2) 8mm threaded holes in the floor panel, (See **Step 3, Fig. 3**). Select (1) Outer Support Bracket. Bolt the Bracket to the threaded holes with (2) 8mm-25 Hex Bolts, (2) 8mm Lock Washers, and (2) 8mm Flat Washers, (**Figure 6**). Snug but do not fully tighten hardware at this time.
7. Select (1) Front Bracket Arm, (**Figure 7**). Insert the Bracket Arm through the tabs on the Support Bracket and into the hole cut out of the plastic cover. Line up the inner end of the Bracket with the rear threaded hole on the bottom of the frame channel in line with the outer holes, (**Figure 8**). Attach the Bracket to the frame channel with (1) 8mm-25 Hex Bolt, (1) 8mm Lock Washer and (1) 8mm Flat Washer. Bolt the Bracket Arm to the (2) tabs on the Support Bracket with (1) 8mm -60 mm Hex Bolts, (2) 8mm Flat Washers (BLACK) , (1) 8mm Lock Washers (BLACK) and (1) 8mm Hex Nuts (BLACK) , (**Figure 9**). **NOTE:** Mounting tab on outer Support Bracket will go toward front of vehicle. Do not tighten hardware at this time.
8. Locate the rear (2) 8mm threaded holes in the floor panel, (See **Step 3**). Select (1) Outer Support Bracket. Bolt the Bracket to the threaded holes with (2) 8mm Hex Bolts, (2) 8mm Lock Washers, and (2) 8mm Flat Washers, (**Figure 6**). Snug but do fully tighten hardware at this time.
9. Next, select the driver side rear Inner Support Bracket and (1) Rear Bracket Arm. Bolt the Support Bracket to the end of the Arm with (1) 10mm x 25mm Hex Bolt, (1) 10mm Lock Washer and (1) 10mm Flat Washer, (**Figures 9 & 10**). Do not tighten at this time.
10. Insert the rear Bracket Arm through the (2) tabs on the Support Bracket and into the hole cut out of the plastic cover. Line up the tab on the Support Bracket with the rear threaded hole on the bottom of the frame channel in line with the outer holes, (**Figure 10**). Attach the Bracket to the frame channel with (1) 8mm Hex Bolt, (1) 8mm Lock Washer and (1) 8mm Flat Washer. Bolt the Bracket Arm to the (2) tabs on the Support Bracket with (1) 8mm x 60mm Hex Bolts, (2) 8mm Flat Washers (BLACK) , (1) 8mm Lock Washers (BLACK) and (1) 8mm Hex Nuts (BLACK) , (**Figure 11**). **NOTE:** Mounting tab on Support Bracket will go toward front of vehicle, (**Figures 8 & 9**). Do not tighten hardware at this time.
11. Select a Running Board. Slip (4)6mm T-bolts into each bottom channel (**Figure 12**). Carefully position the Running Board onto the (2) Mounting Brackets. **IMPORTANT:** Do not slide, (front to back), the Running Board on the Brackets or damage to the finish may result. Attach the Running Board to each Mounting Brackets with (2) 6mm T-bolts, (2)6mm flat washers and (2)6mm lock nuts (**Figures 13**). Do not tighten at this time.
12. Level and adjust Running Board properly and tighten all hardware.
13. Repeat **Steps 2 – 12** for passenger side Running Board installation.
14. Do periodic inspections to the installation to make sure that all hardware is secure and tight

To protect your investment, wax this product after installing. Regular waxing is recommended to add a protective layer over the finish. Do not use any type of polish or wax that may contain abrasives that could damage the finish.

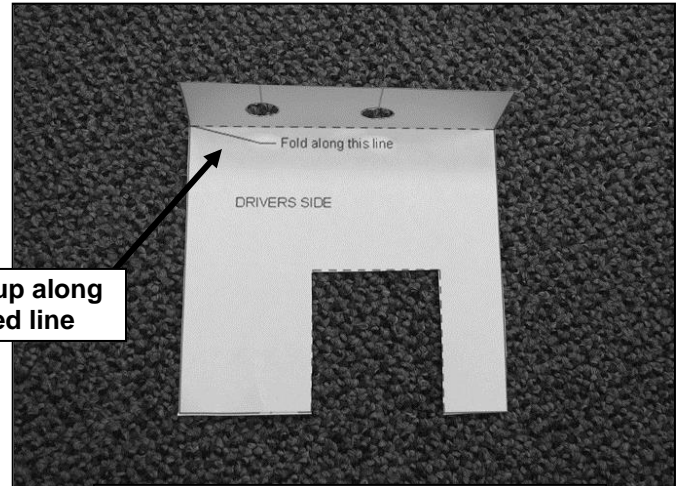
For Polished Finishes: Aluminum polish may be used to polish small scratches and scuffs on the finish. Mild soap may be used also to clean the Running Board.

For Black Finishes: Mild soap may be used to clean the Running Board.

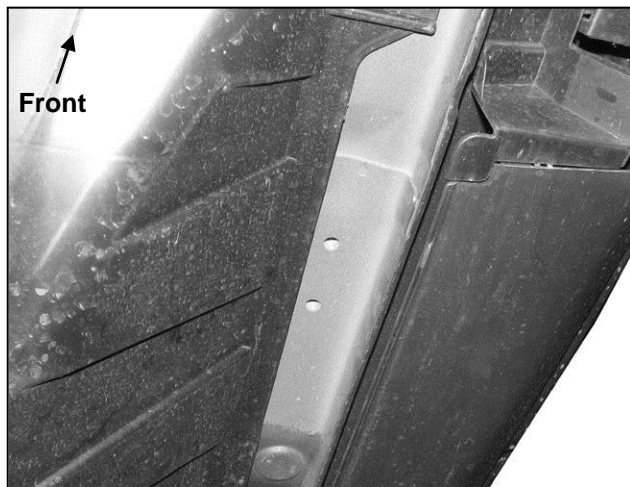
Driver Side Installation Pictured Without Plastic Cover for Instruction Purposes Only



(Fig 1) Driver side Template pictured



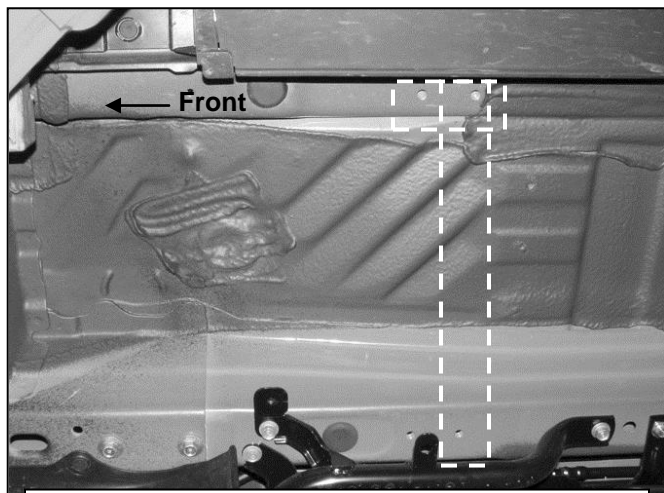
(Fig 2) Driver side Template pictured



(Fig 3) Driver side front mounting location pictured



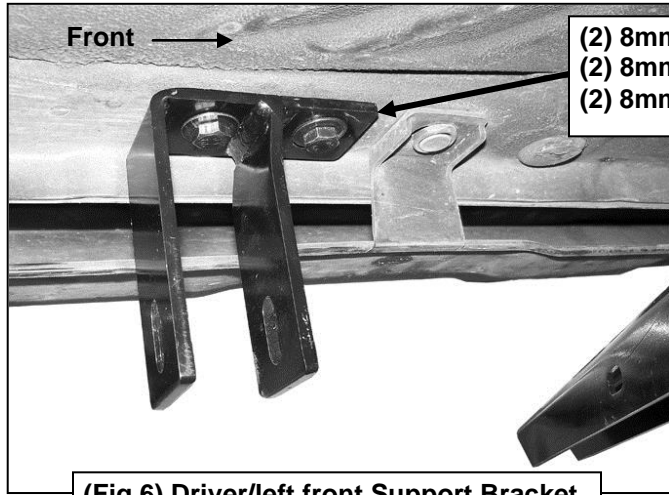
(Fig 4) Front driver side location pictured



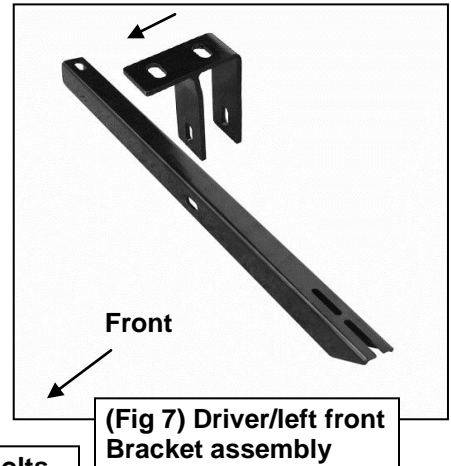
(Fig 5) Dashed line represents driver side front mounting location for Bracket assembly

With the plastic cover in place, hold the paper template (Driver side pictured) over the (2) threaded holes next to the pinch weld. Use a marker to trace the square cut out section on the template. Remove cover. Use a utility knife or hacksaw to carefully cut out this section. Check the clearance between the Bracket and the cover often for proper fit

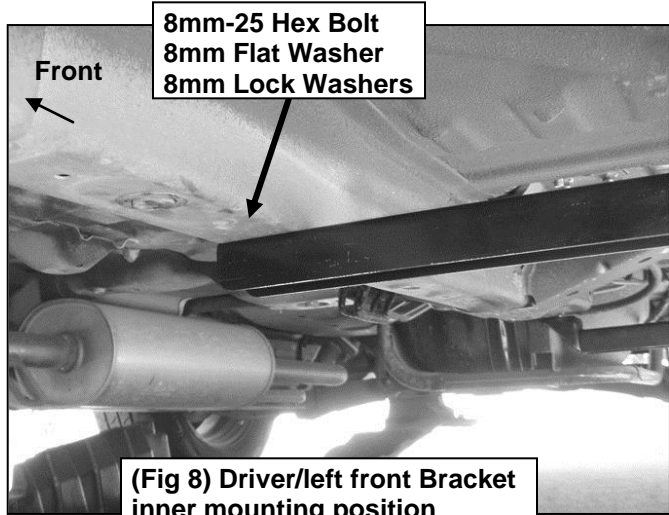
Driver Side Installation Pictured Without Plastic Cover for Instruction Purposes Only



(Fig 6) Driver/left front Support Bracket

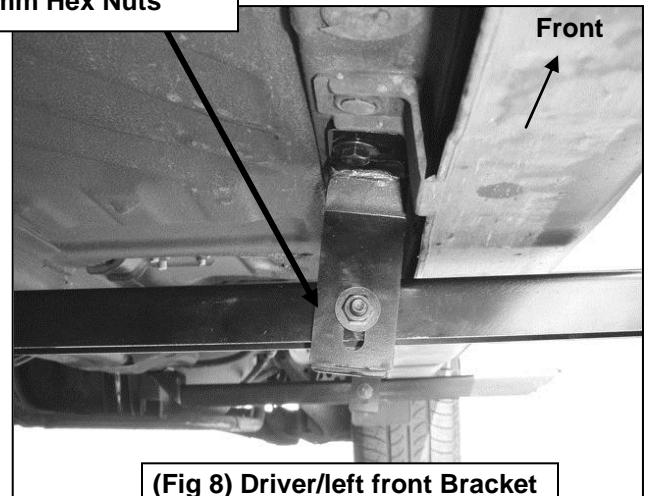


(Fig 7) Driver/left front Bracket assembly

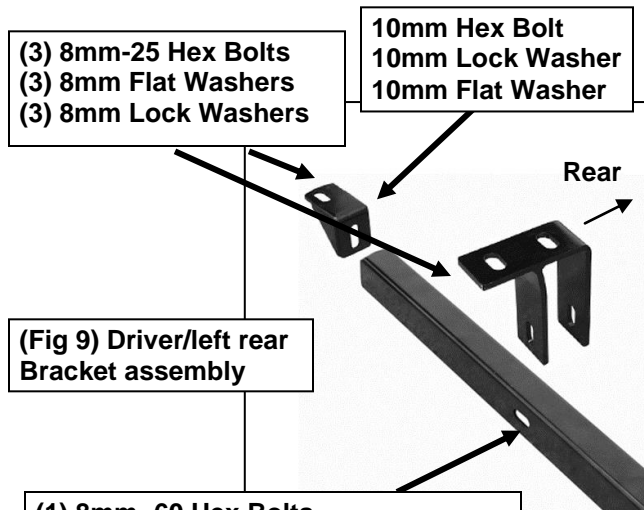


(Fig 8) Driver/left front Bracket inner mounting position

- 8mm-60 Hex Bolts
- 8mm Flat Washers
- 8mm Lock Washers
- 8mm Hex Nuts

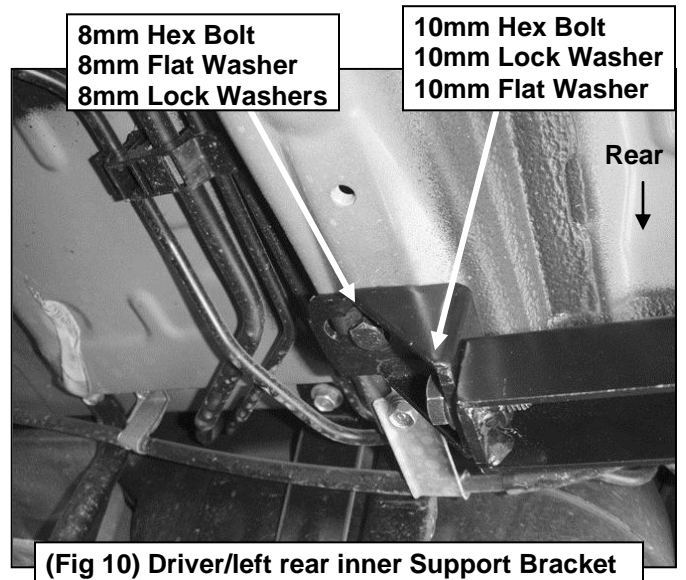


(Fig 8) Driver/left front Bracket outer mounting position



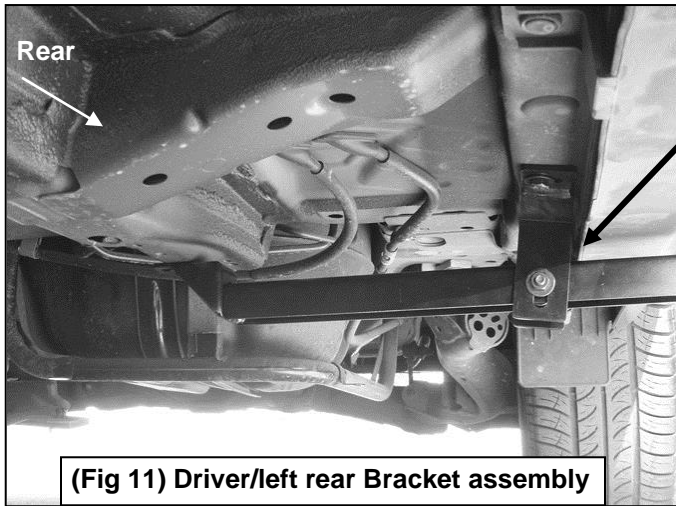
(Fig 9) Driver/left rear Bracket assembly

- (1) 8mm -60 Hex Bolts
- (2) 8mm Flat Washers (BLACK)
- (1) 8mm Lock Washers (BLACK)
- (1) 8mm Hex Nuts



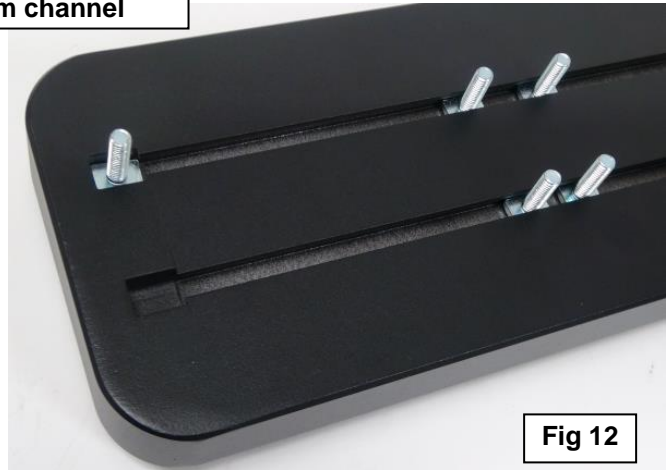
(Fig 10) Driver/left rear inner Support Bracket

Driver Side Installation Pictured Without Plastic Cover for Instruction Purposes Only



- (1) 8mm-60 Hex Bolts
- (2) 8mm Flat Washers
- (1) 8mm Lock Washers
- (1) 8mm Hex Nuts

Slip 6mm T-bolts into the bottom channel



- (2)6mmT-bolts
- (2)6mm Flat Washers
- (2)6mmLock nuts

