

PARTS LIST:

Item	QTY	Description	Item	QTY	Description
#01	1	Driver Sidebar	#12	6	M8 Hex Bolt
#02	1	Passenger Sidebar	#13	8	M8 Hex Flange Nut
#03	1	Driver Front Mounting Bracket (DFM)	#14	6	M8 Lock Washer
#04	1	Driver Front Support U-Bracket (DFS)	#15	4	M10 Lock Washers
#05	1	Driver Rear Mounting Bracket (DRM)	#16	4	M10 Hex Nut
#06	1	Passenger Front Mounting Bracket (PFM)	#17	8	M8 Flange Hex Bolt
#07	1	Passenger Front Support U-Bracket (PFS)	#18	6	M10 Flat Washer
#08	1	Passenger Rear Mounting Bracket (PRM)	#19	8	M6 Square Head Bolt
#09	4	M10 Bolt Plate	#20	8	M6 Flat Washer
#10	4	M10 Plastic Retainer	#21	8	M6 Nylon Lock Nut
#11	4	M10 Flat Washer			



INSTALLATION INSTRUCTION:

REMOVE CONTENTS FROM BOX. VERIFY ALL PARTS ARE PRESENT. READ INSTRUCTIONS CAREFULLY BEFORE STARTING INSTALLATION. DRILLING REQUIRED.

1. Select (1) Front Mounting Bracket and (1) Front Support Bracket, **(Figure 1)**. Line up the (4) main mounting holes in both brackets and bolt the Support Bracket to the bottom of the Mounting Bracket with the included (4) M8 Flange Hex Bolts and (4) M8 Locking Flange Nuts, **(Figure 2)**. Do not tighten hardware at this time.
2. Starting on the driver side front of the vehicle, locate the (2) factory threaded holes in the bottom of the outer frame channel and the single threaded hole in the bottom of the inner frame channel, **(Figure 3A & 3B)**. **NOTE:** The threaded holes may be filled with plastic plugs or covered in insulation. Remove plugs or insulation before proceeding.
3. Position the Front Mounting Bracket and Support Bracket up to the vehicle. Hang the Bracket assembly from the two threaded holes using the provided (2) M8 Hex Bolts, (2) M8 Lock Washers and (2) M8 Flat Washers, **(Figure 4)**. Line up the slot in the end of the Support Bracket with the threaded hole in the inner frame channel. Bolt the Support Bracket to the frame channel with an M8 x 25mm Hex Bolt, M8 Lock Washer and M8 Flat Washer. Snug but do not tighten hardware at this time.
4. Move toward the rear of the vehicle and locate the (2) factory oval holes in the side of the body panel, **(Figure 5A)**. Thread (1) Plastic Retainer part way onto (1) M10 Bolt Plate, **(Figure 5B)**. Insert the Bolt Plate and Retainer into the oval hole and thread the Plastic Retainer down against the body panel, **(Figure 5A)**. Rotate the Bolt Plate 90-degrees so that it is supported across the slot in the body panel. **IMPORTANT:** The Plastic Retainer is designed to prevent the Bolt Plate from falling into the body

cavity and to aid in Bracket installation. Repeat this Step to install the second Bolt Plate in the remaining factory oval hole.

5. Select (1) Rear Mounting Bracket. Hang the Bracket from the (2) M10 Bolt Plates and secure with (2) M10 Flat Washers, (2) M10 Lock Washers and (2) M10 Hex Nuts, (**Figure 6**). Snug but do not fully tighten at this time.
6. Carefully position the driver Sidebar onto the Mounting Brackets. Line up the threaded holes in the bottom of the Sidebar with the slots in the Brackets. Bolt the Sidebar to the Brackets with the included (4) M8 Hex Bolts, (4) M8 Lock Washers and (4) M8 Flat Washers, (**Figures 4 & 6**). Snug but do not tighten hardware at this time.
7. Align the Sidebar properly and tighten all hardware.
8. Repeat Steps 2 - 8 for the passenger Sidebar installation
9. Do periodic inspections to the installation to make sure that all hardware is secure and tight.

To protect your investment, wax this product after installing. Regular waxing is recommended to add a protective layer over the finish. Do not use any type of polish or wax that may contain abrasives that could damage the finish.

For Polished Finishes: Aluminum polish may be used to polish small scratches and scuffs on the finish. Mild soap may be used also to clean the Running Board.

For black finishes: Mild soap may be used to clean the Running Board.



Fig 1

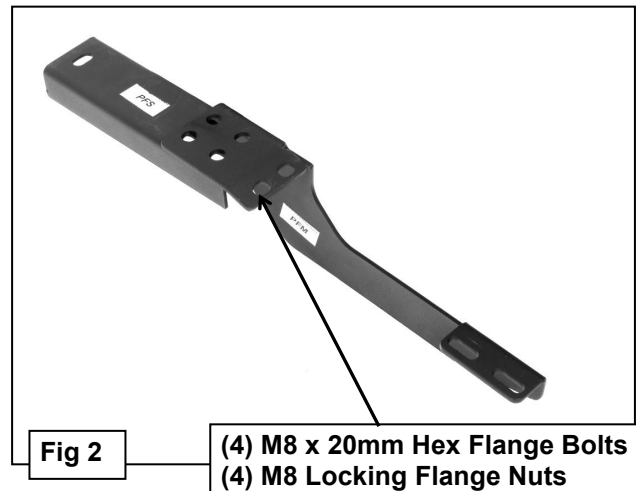
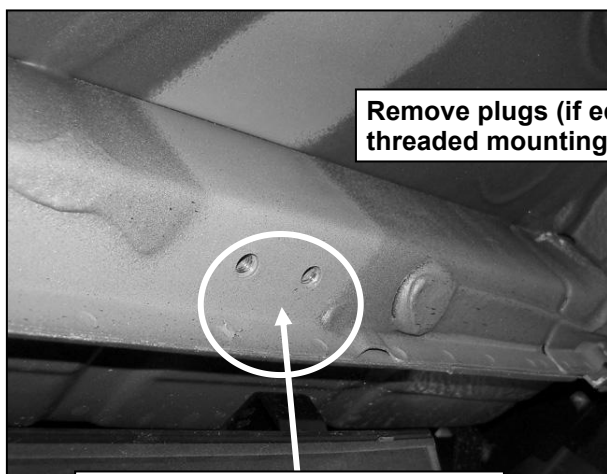
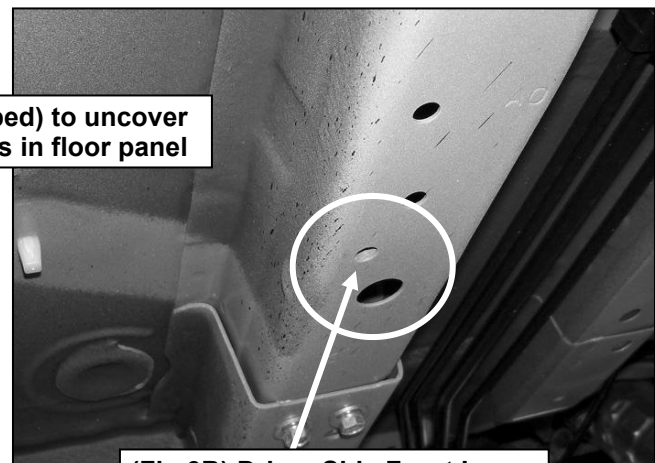


Fig 2

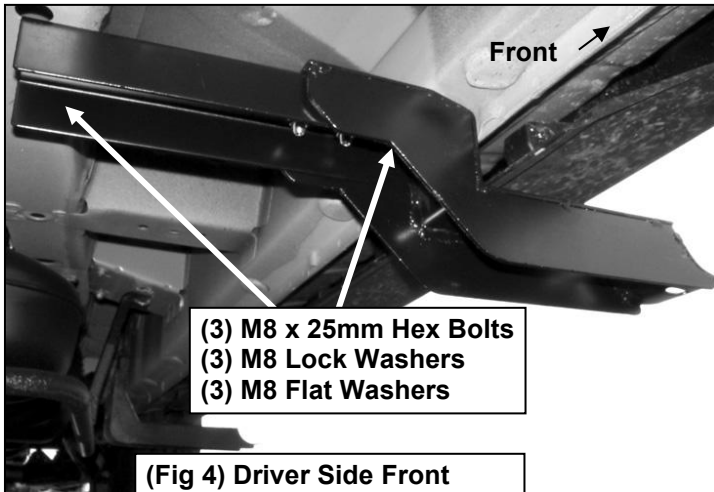
(4) M8 x 20mm Hex Flange Bolts
(4) M8 Locking Flange Nuts



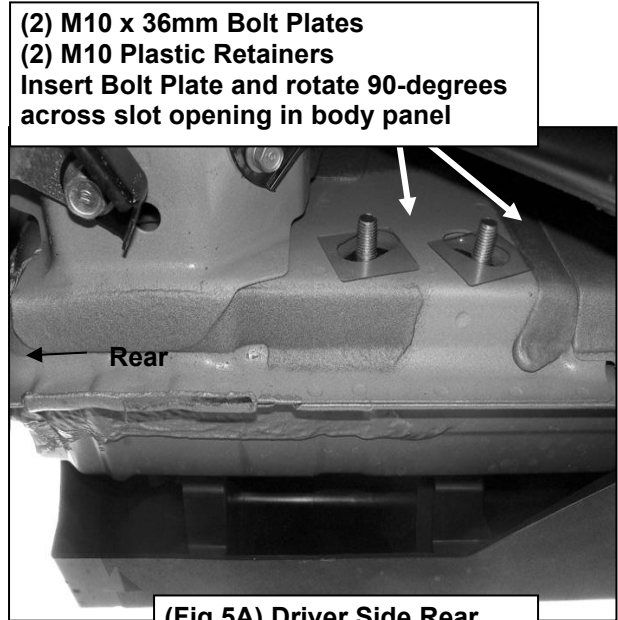
(Fig 3A) Driver Side Front Outer Mounting Location Pictured



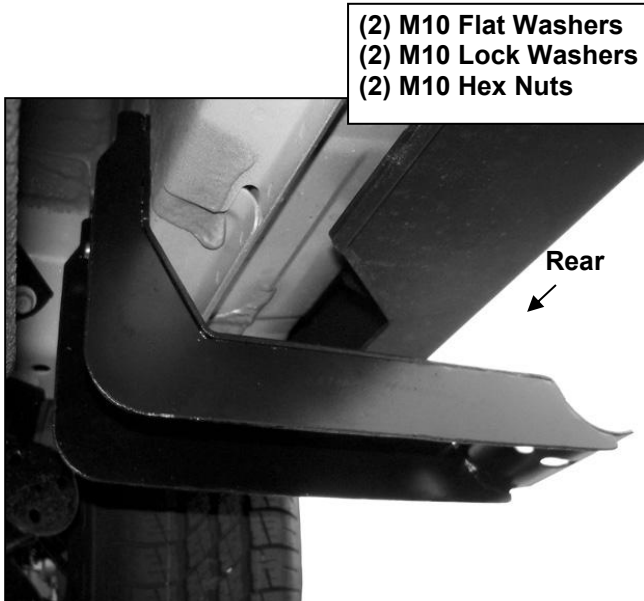
(Fig 3B) Driver Side Front Inner Mounting Location Pictured



(Fig 4) Driver Side Front Mounting Bracket Assembly



(Fig 5A) Driver Side Rear Mounting Location Pictured



(Fig 6) Driver Side Rear Mounting Bracket Pictured

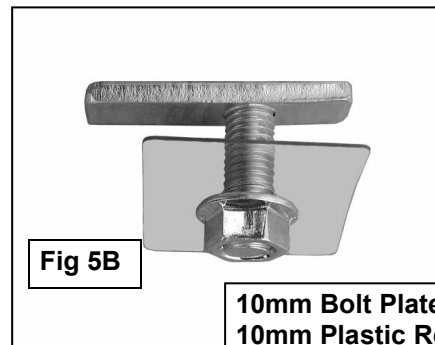
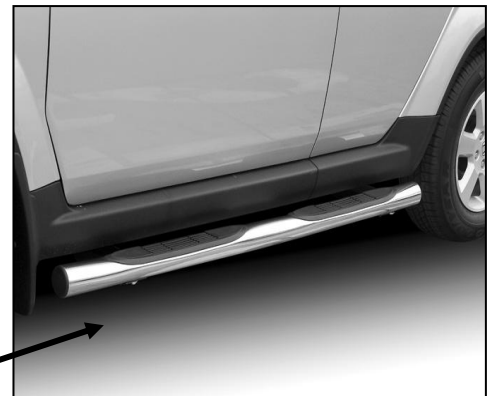


Fig 5B

10mm Bolt Plate
10mm Plastic Retainer



Bolt the Sidebar to each cradle on the Mounting Brackets with:
(2) M6 Square Head Bolt
(2) M6 Nylon Lock Nut



(2)6mm Square Head Bolt
(2)6mm Flat Washers
(2)6mm Lock nuts

