

iRunning Board Installation Instruction

Application: 1999-2016 Ford F-250/F-350 Super Duty Crew Cab
1998-2005 Ford Excursion

REV: 20170601

Item	Part Name	QTY	Item	Part Name	QTY
1	Running Boards (Driver+Passenger)	2	6	M6 Nylon Lock Nuts	20
2	Main Bracket (MB)	10	7	M8 Clip Nut	10
3	M6 Square Head Bolt	20	8	M8-1.25mm x 20mm Hex Bolts	20
4	M6 Flat Washers	20	9	M8 Nylon Lock Nuts	10
5	M8 Flat Washers	20	10	M8 Heavy Flat Washer	10



NOTE: All Brackets are universal and will fit both side of the vehicle!

Step	Installation Instruction
1	VERIFY ALL PARTS ARE PRESENT. READ AND UNDERSTAND INSTRUCTIONS BEFORE BEGINNING.
2	Insert clip nuts as show (Figures 2)
3	Attach mounting brackets as shown. (Figures 3 and 4)
4	Insert square head bolts as shown (5 per slot, 10 per board). (Figures 5)
5	Attach board to brackets as shown . Align and tighten . (Figures 6) .
6	Level and adjust the Sidebar and tighten all hardware.
7	Repeat Steps 2-6 for passenger/right Sidebar installation
8	Do periodic inspections of the installation to make sure that all hardware is secure and tight.
9	Installation is Complete.

To protect your investment: wax this product after installing. Regular waxing is recommended to add a protective layer over the finish. Do not use any type of polish or wax that may contain abrasives that could damage the finish.

For Polished finishes: Aluminum polish may be used to polish small scratches and scuffs on the finish. Mild soap may be used also to clean the Sidebar.

For Black finishes: Mild soap may be used to clean the Sidebar.

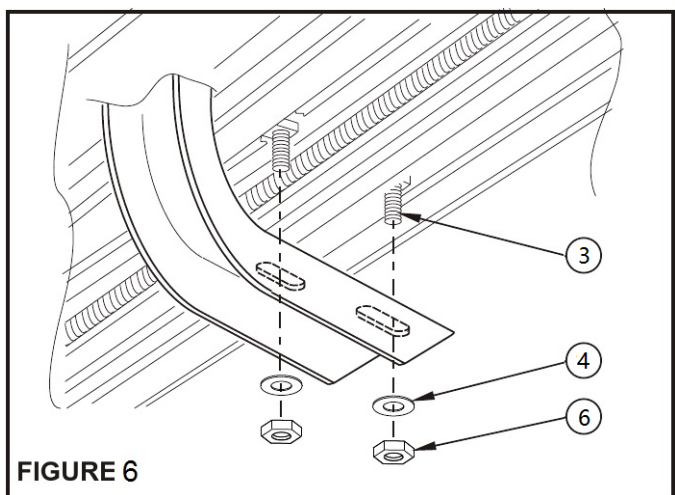
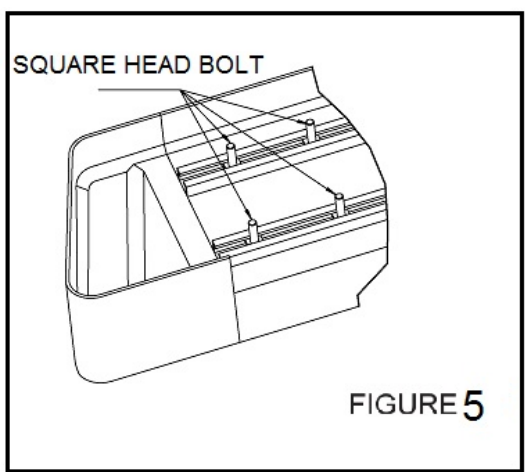
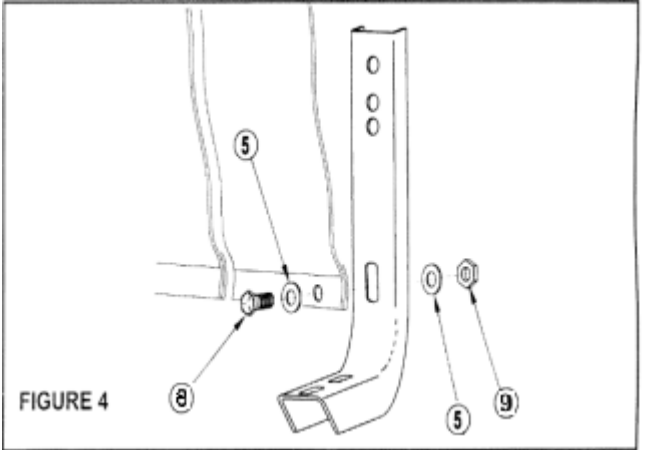
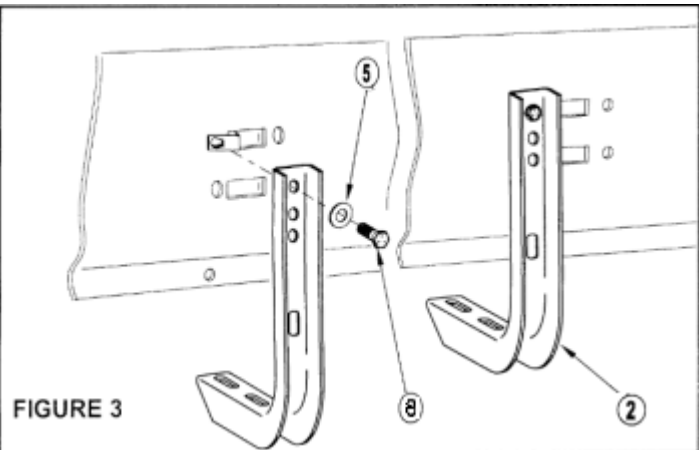
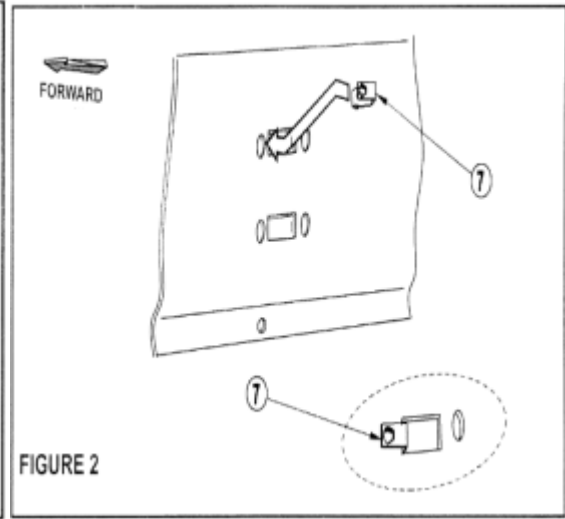
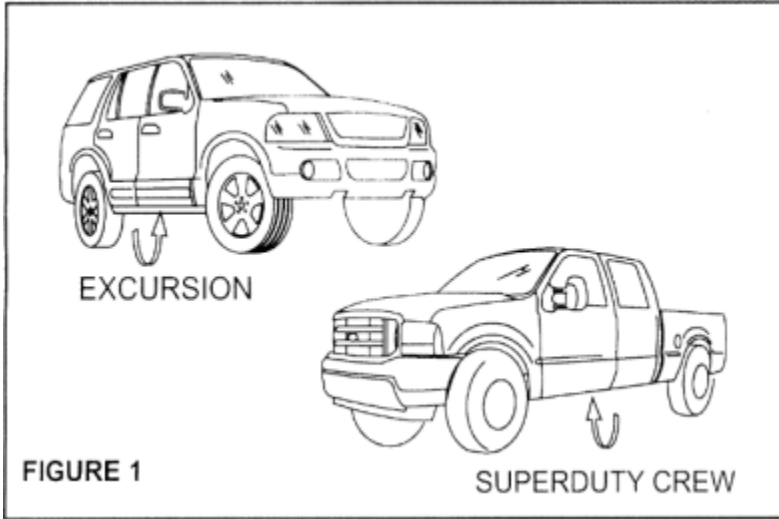
The instruction here is for your reference only. We strongly recommend the professional installer for best result. We are not responsible for any damage caused by the installation. Thank you for choosing our product!

iRunning Board Installation Instruction

Application: 1999-2016 Ford F-250/F-350 Super Duty Crew Cab
1998-2005 Ford Excursion

REV: 20170601

Driver/Left Side Installation Pictured



***Pictures are for reference only. actual brackets & bars may be a little different ***

The instruction here is for your reference only. We strongly recommend the professional installer for best result. We are not responsible for any damage caused by the installation. Thank you for choosing our product!

iRunning Board Installation Instruction

Application: 1999-2016 Ford F-250/F-350 Super Duty Crew Cab
1998-2005 Ford Excursion

REV: 20170601

Driver Side Installation Pictured



The instruction here is for your reference only. We strongly recommend the professional installer for best result. We are not responsible for any damage caused by the installation. Thank you for choosing our product!