

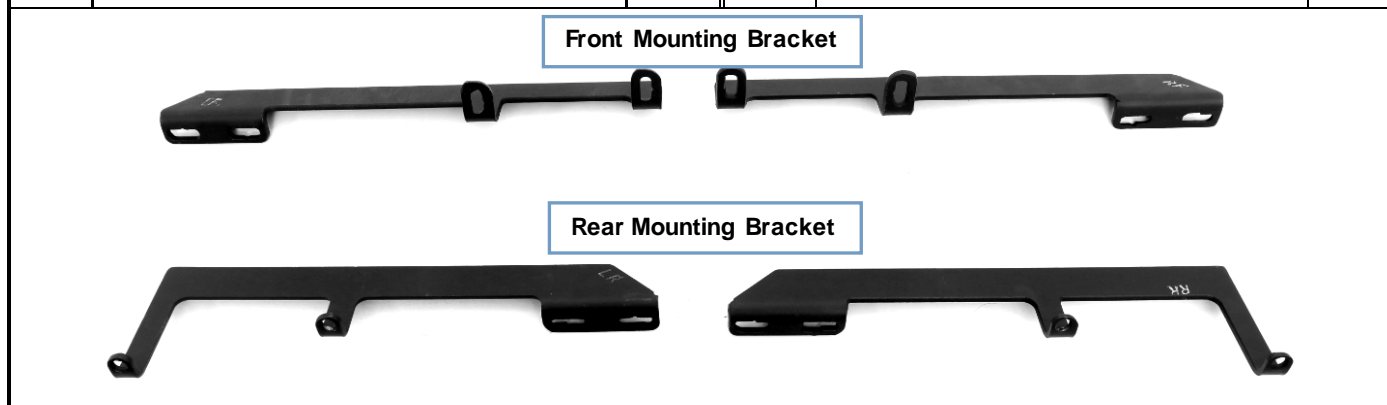
# iRunning Board Installation Instruction

**Application:** 2007-2014 Ford Edge (Excl. Sport & Eco-Boost Model)  
2007-2015 Lincoln MKX (Excl. Eco-Boost Model)

REV: 20170601

**\*Will not work on vehicles equipped with power retracting boards.**

Item	Part Name	QTY	Item	Part Name	QTY
1,2	Running Boards, Driver+Passenger	2	11	M10 Flat Washers	4
3,4	Front Bracket (Driver, Passenger)	2	12	M10 Lock Washers	4
5,6	Rear Bracket (Driver, Passenger)	2	13	M10 Hex Nut	4
7	M10x1.5 J-Bolt	2	14	M6 Square Head Bolt	8
8	Plastic Washer	4	15	M6 Nylon Lock Nuts	8
9	M10x1.5 Bridge Weld Nut	2	16	M6 Flat Washers	8
10	M10X1.5-30mm Hex Bolt	2			



Step	Description
1	Verify all parts are present. Read instructions completely before beginning.
2	Determine passenger and driver brackets.
3	Thread M10 hex head bolt through bridge weld nut, insert into outer hole, and use a plastic washer to hold in place. Insert J-bolt into inner hole and use a plastic washer to hold in place. <b>(Fig 1)</b>
4	Attach front passenger side bracket to the previously assembled M10 bolt plate and “J” bolt using two M10 flat washers, M10 lock washers, and M10 hex nuts as shown. <b>(Fig 1)</b>
5	Remove the two foremost factory bolts from the rear suspension bracket. Slide bracket into place and secure using factory bolts. <b>(Fig 2)</b>
6	Insert square head bolts as shown (2 per slot, 4 per board). <b>(Fig 3)</b>
7	Attach step board to brackets as shown. <b>(Fig 4)</b> .Make sure step board and brackets are properly aligned and tighten fasteners. Recommended torque values are 31 Ft. Lbs. for factory bolts, 26 Ft. Lbs. for M10 fasteners, and 10 Ft.Lbs. for M6 square head fasteners. <b>NOTE:</b> Brackets will not extend out perpendicular to vehicle. They will extend out at an angle.
8	Repeat installation for drivers side. <b>Installation Completed.</b>

### FINISH PROTECTION

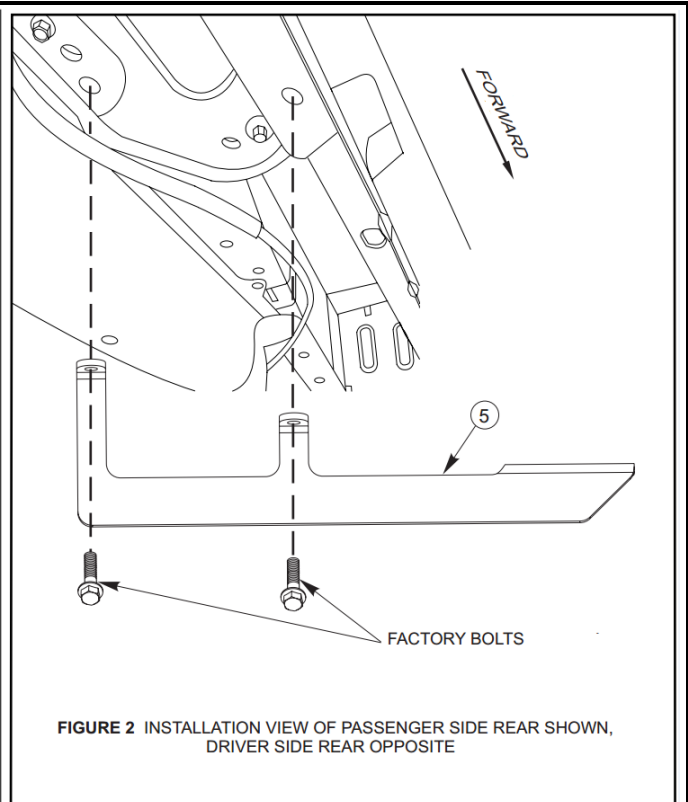
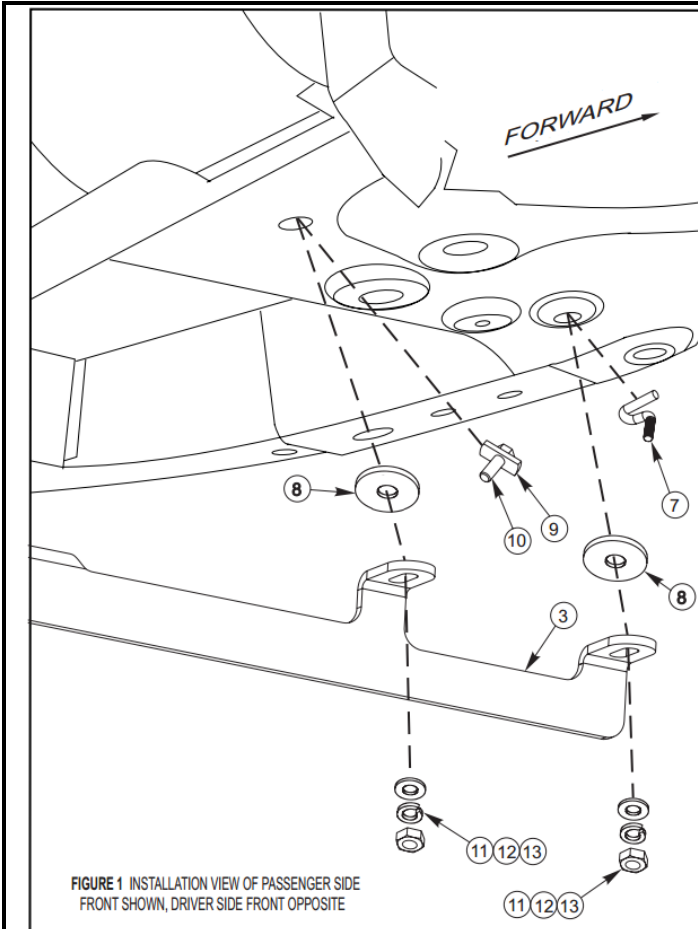
Products have a high quality finish that must be cared for like any other exposed finish on the vehicle. Protect the finish with a non-abrasive automotive wax, (e.g. Pure Carnauba) on a regular basis. The use of any soap, polish or wax that contains an abrasive is detrimental, as the compounds scratch the finish and open it to corrosion.

The instruction here is for your reference only. We strongly recommend the professional installer for best result. We are not responsible for any damage caused by the installation. Thank you for choosing our product!

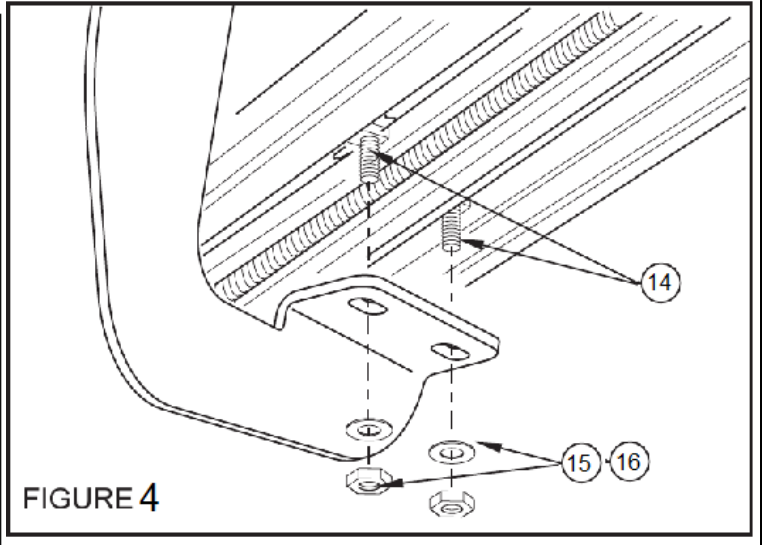
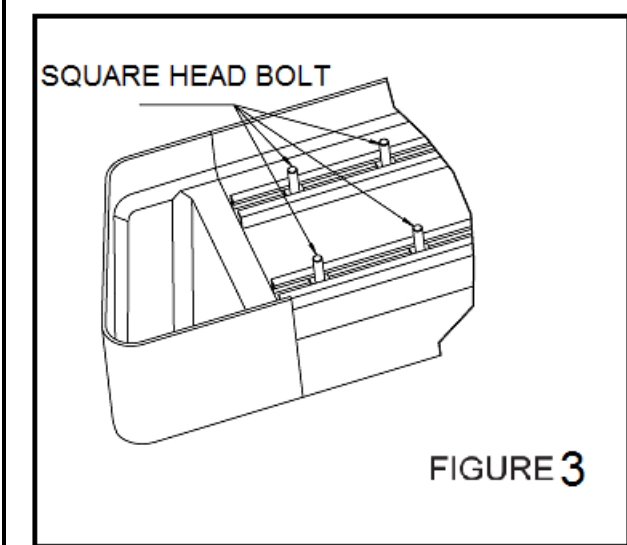
# iRunning Board Installation Instruction

Application: 2007-2014 Ford Edge (Excl. Sport & Eco-Boost Model)  
2007-2015 Lincoln MKX (Excl. Eco-Boost Model)  
\*Will not work on vehicles equipped with power retracting boards.

REV: 20170601



**\*Pictures are for reference only, actual bars may be a little different.**



The instruction here is for your reference only. We strongly recommend the professional installer for best result. We are not responsible for any damage caused by the installation. Thank you for choosing our product!