

iRunning Board Installation Instruction

2006-2010 Ford Explorer 4-Door

REV: 20170601

Application: 2006-2010 Mercury Mountaineer

***Will not fit on vehicles equipped with power retracting boards**

Item	Part Name	QTY	Item	Part Name	QTY
1	Running Boards (Driver+Passenger)	2	7	M8 Lock Washers	12
2	FRONT BRACKET (FB)	2	8	M8 Hex Nut	6
3	CENTER BRACKET (CB)	2	9	M6X1.25-20mm Square Head Bolt	12
4	REAR BRACKET (RB)	2	10	M6X1.25mm Nylon Lock Nuts	12
5	M8x1.25-25 HEX HEAD BOLTS	12	11	EXTRUDED U-NUT	6
6	M8 Flat Washers	18	12	M6 Flat Washers	12



NOTE: The Bracket are identical for both Driver side and Passenger side!

Step	Description
1	Verify all parts are present. Read and understand instructions before beginning. NOTE: If installing iRunning boards on vehicles equipped with factory step boards, the existing factory hardware can be used. The mount brackets will be placed over the mounting stud protruding from the rocker panel, and the factory nuts can be reused.
2	Locate the pair of holes on the bottom of the rocker panel and the square hole next to the round hole on the bottom of the floor pan. SEE FIG 1.
3	Insert extruded "u" nut through square hole in floor pan so it is positioned over the round hole.. SEE FIG 1.
4	Install front, center, and rear brackets to the extruded "u" nuts inserted into the vehicle floor pan with M8 fasteners as shown. SEE FIG 1.
6	Insert square head bolts as shown. See FIG 2
8	Attach Step board / Running board to brackets as shown. Make sure step board and brackets are properly aligned and tighten fasteners. Recommended torque values are 10 FT.LBS. for M6 square head fasteners and 16 FT.LBS. for M6 fasteners. SEE FIG 3
10	INSTALLATION IS COMPLETE.

The instruction here is for your reference only. We strongly recommend the professional installer for best result. We are not responsible for any damage caused by the installation. Thank you for choosing our product!

iRunning Board Installation Instruction

2006-2010 Ford Explorer 4-Door

REV: 20170601

Application: 2006-2010 Mercury Mountaineer

***Will not fit on vehicles equipped with power retracting boards**

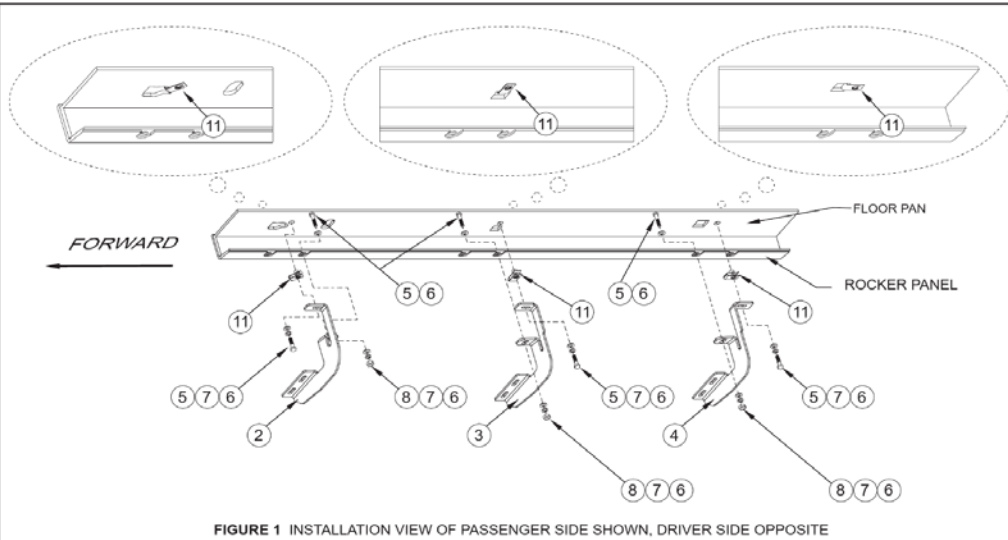


FIGURE 1 INSTALLATION VIEW OF PASSENGER SIDE SHOWN, DRIVER SIDE OPPOSITE

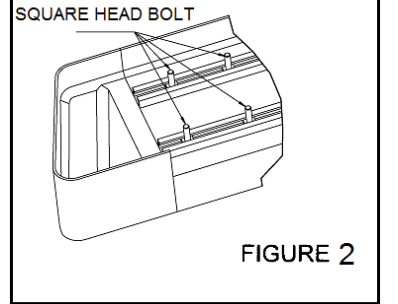


FIGURE 2

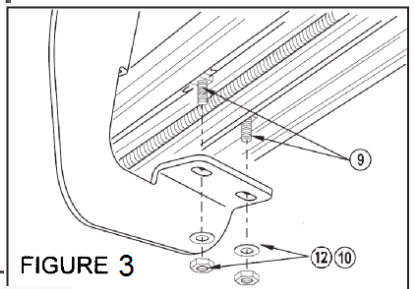


FIGURE 3



***Pictures are for reference only, actual bars may be a little different.**

FINISH PROTECTION

Products have a high quality finish that must be cared for like any other exposed finish on the vehicle. Protect the finish with a non-abrasive automotive wax, (e.g. Pure Carnuba) on a regular basis. The use of any soap, polish or wax that contains an abrasive is detrimental, as the compounds scratch the finish and open it to corrosion.

The instruction here is for your reference only. We strongly recommend the professional installer for best result. We are not responsible for any damage caused by the installation. Thank you for choosing our product!