

iRunning Board Installation Instruction

Application: 2002-2005 Ford Explorer 4-Door (Excl. Sport Model)
2002-2005 Mercury Mountaineer

REV: 20170601

Item	Part Name	QTY	Item	Part Name	QTY
1	FRONT BRACKET (DFM/PFM)	2	8	M8 Flat Washers	54
2	FRONT SUPPORT BRACKET (FSB)	2	9	M8X1.25mm Nylon Lock Nuts	24
3	CENTER/REAR BRACKET (DCM/PCM)	6	10	SELF DRILLING SCREW	2
4	SUPPORT BRACKET (CRSB)	6	11	CLIP NUT	6
5	M8x1.25-25 HEX HEAD BOLTS	6	12,13	Running Boards (Driver+ Passenger)	2
6	M8x1.25-20 HEX HEAD BOLTS	24	14	M6 Flat Washers	16
7	M6 Square Hex Bolt	16	15	M6 Nylon Lock Nuts	16



NOTE: The Bracket are identical for both Driver side and Passenger side!

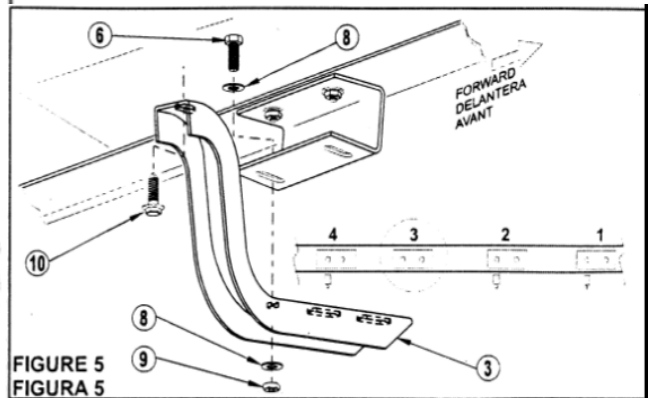
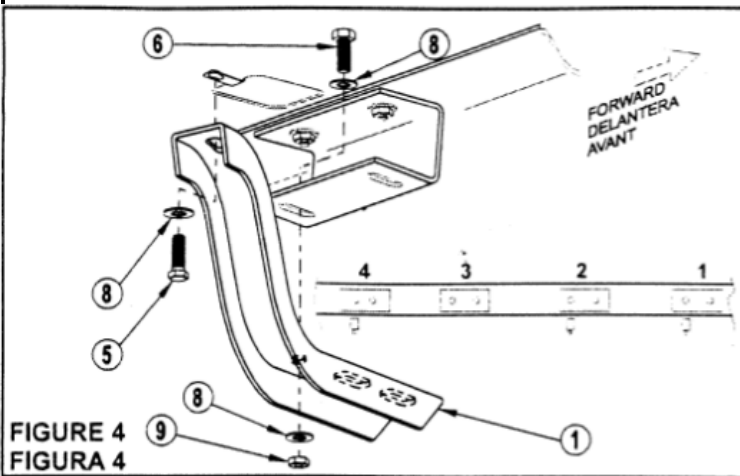
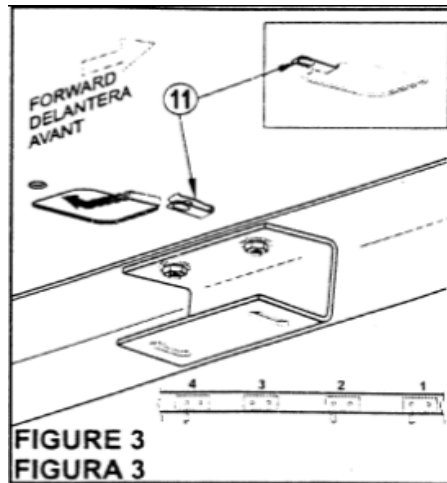
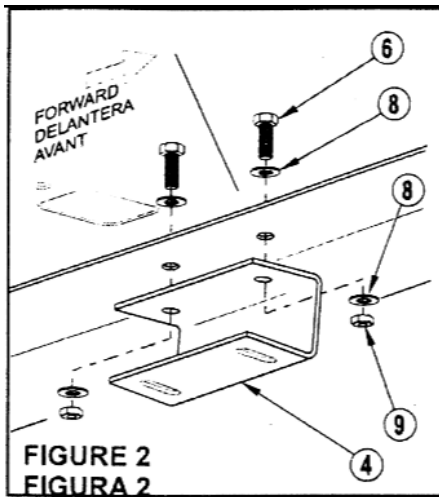
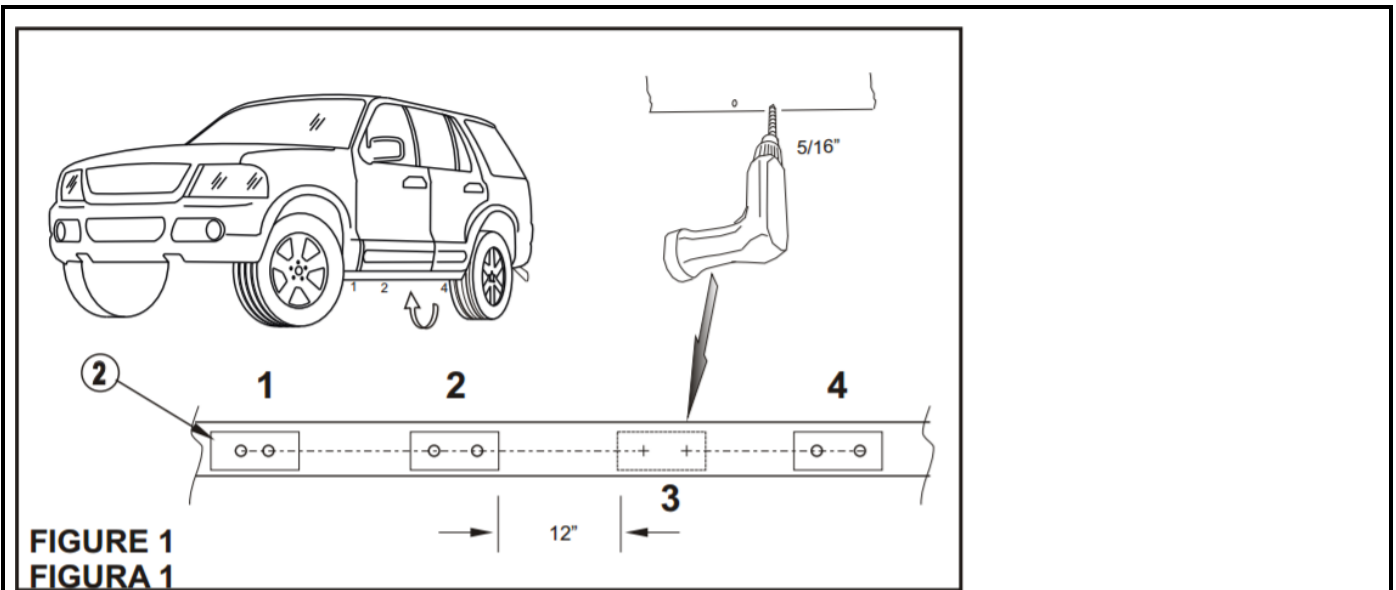
Step	Description
1	Verify all parts against the parts list. Read and understand instructions completely before beginning installation.
2	Remove splash guard from underside of vehicle. Drill 5/16” holes. (FIG 1)
3	Attach mounting brackets as shown. Hand tighten (See Fig 2 3 4 and 5)
4	Insert square head bolts as shown (4 per slot, 8 per Step board/Running board) (See Fig 6).
6	Attach Step board / Running board to brackets as shown. Align and tighten . (See FIG 7)
8	INSTALLATION IS COMPLETE.

The instruction here is for your reference only. We strongly recommend the professional installer for best result. We are not responsible for any damage caused by the installation. Thank you for choosing our product!

iRunning Board Installation Instruction

REV: 20170601

Application: 2002-2005 Ford Explorer 4-Door (Excl. Sport Model)
2002-2005 Mercury Mountaineer



The instruction here is for your reference only. We strongly recommend the professional installer for best result. We are not responsible for any damage caused by the installation. Thank you for choosing our product!

iRunning Board Installation Instruction

REV: 20170601

Application: 2002-2005 Ford Explorer 4-Door (Excl. Sport Model)
2002-2005 Mercury Mountaineer

SQUARE HEAD BOLT

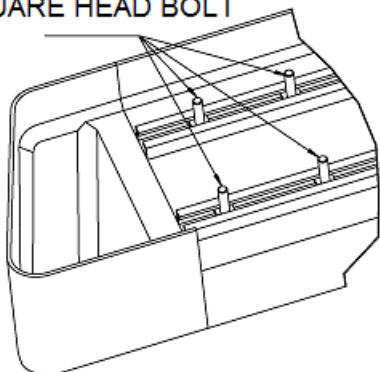


FIGURE 6

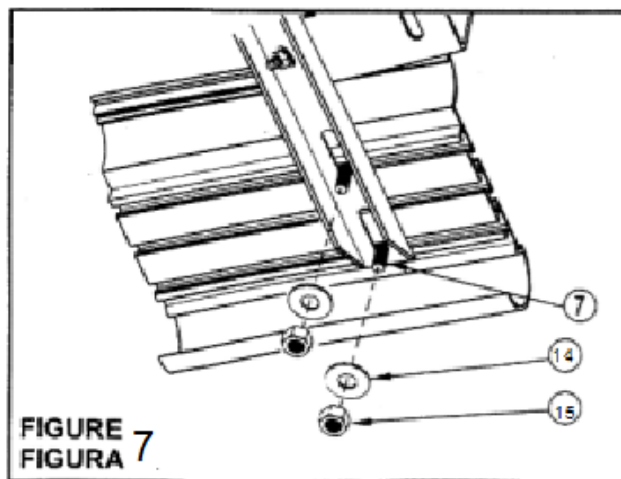


FIGURE 7
FIGURA 7



***Pictures are for reference only, actual bars may be a little different.**

FINISH PROTECTION

Products have a high quality finish that must be cared for like any other exposed finish on the vehicle. Protect the finish with a non-abrasive automotive wax, (e.g. Pure Carnauba) on a regular basis. The use of any soap, polish or wax that contains an abrasive is detrimental, as the compounds scratch the finish and open it to corrosion.

The instruction here is for your reference only. We strongly recommend the professional installer for best result. We are not responsible for any damage caused by the installation. Thank you for choosing our product!