

# iRunning Board Installation Instruction

REV: 20170601

**Application: 1995-2001 Ford Explorer 4-Door (Not Fit Models W/ OE Mud Flaps)**

Step	Description
------	-------------

Item	Part Name	QTY	Item	Part Name	QTY
1	Main Bracket	8	5	M6 Nylon Lock Nuts	16
2	M8X1.25-20mm Hex Bolt	16	6	M8X1.25mm Nylon Lock Nuts	8
3	M6 Square Hex Bolt	16	7	M8 Flat Washers	24
4	M6 Flat Washers	16	8	Running Boards (Driver+Passenger Side)	2



Main Bracket

NOTE: All Brackets are universal and will fit both side of the vehicle!

1	<b>VERIFY ALL PARTS ARE PRESENT. READ INSTRUCTIONS CAREFULLY BEFORE STARTING INSTALLATION.</b>
2	Attach mounting brackets as shown <b>SEE FIG 1.</b>
3	Insert square head bolts as shown (4 per slot,8 per board). <b>SEE FIG 2.</b>
4	Attach board to brackets as shown on <b>FIG 3</b> . Make sure board and brackets are properly aligned and tighten fasteners.
5	<b>INSTALLATION IS COMPLETE.</b>

**FINISH PROTECTION:**

The Boards finish that must be cared for like any other exposed finish on the vehicle. Protect the finish with a non-abrasive automotive wax, (e.g.Pure Carnauba) on a regular basis. The use of any soap, polish or wax that contains an abrasive is detrimental, as the compounds scratch the finish and open it to corrosion.

The instruction here is for your reference only. We strongly recommend the professional installer for best result. We are not responsible for any damage caused by the installation. Thank you for choosing our product!

# iRunning Board Installation Instruction

REV: 20170601

Application: 1995-2001 Ford Explorer 4-Door (Not Fit Models W/ OE Mud Flaps)

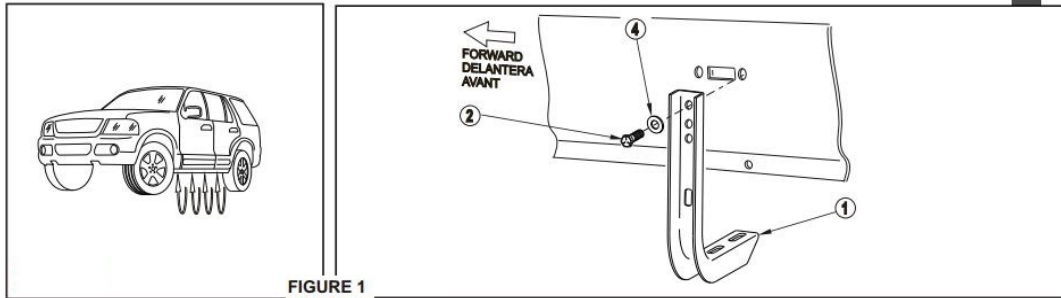


FIGURE 1  
FIGURA 1

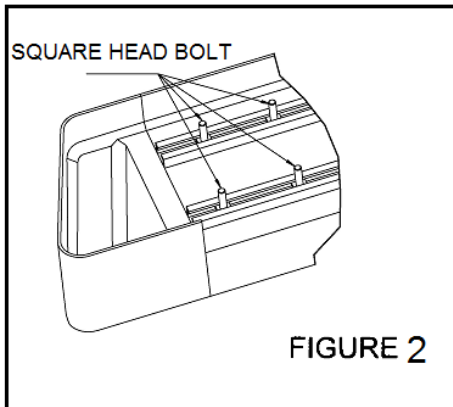
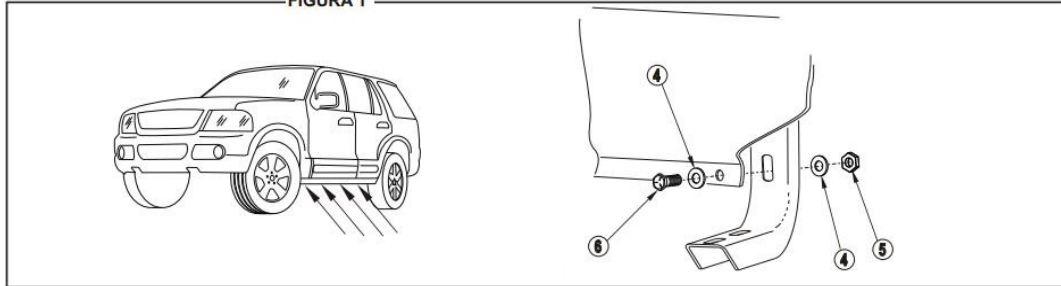


FIGURE 2

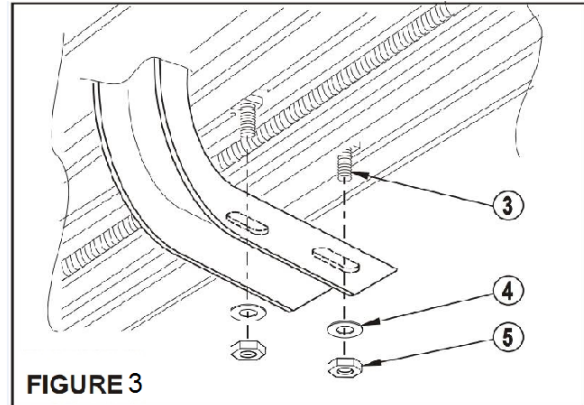


FIGURE 3



**\*Pictures are for reference only, actual bars may be a little different.**

The instruction here is for your reference only. We strongly recommend the professional installer for best result. We are not responsible for any damage caused by the installation. Thank you for choosing our product!