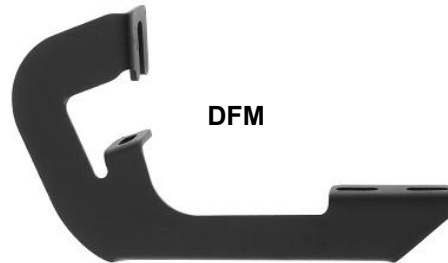


**PARTS LIST:**

| Item | QTY | Description              | Item | QTY | Description       |
|------|-----|--------------------------|------|-----|-------------------|
| #01  | 1   | Driver Side Bar          | #07  | 6   | M8 Hex Nut        |
| #02  | 1   | Passenger Side Bar       | #08  | 12  | M6 Flat Washer    |
| #03  | 6   | L Mounting Bracket (DFM) | #09  | 12  | M6 Nylon Lock Nut |
| #04  | 12  | M8X1.25-30 Hex Bolt      | #10  | 6   | M8 Extruded U-Nut |
| #05  | 12  | M6 Square Head Bolt      | #11  | 12  | M8 Lock Washer    |
| #06  | 18  | M8 Flat Washer           |      |     |                   |



**INSTALLATION INSTRUCTION:**

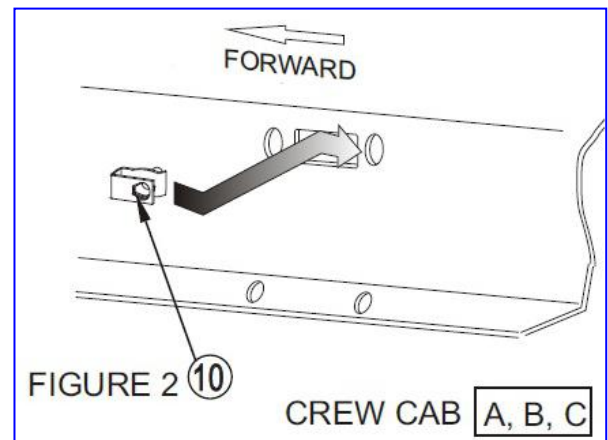
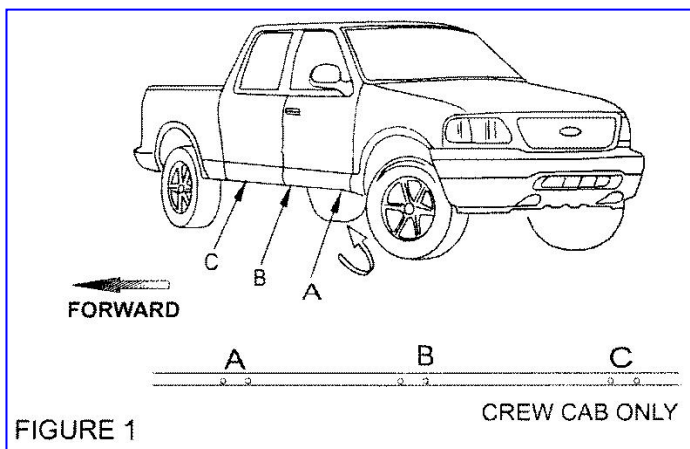
**REMOVE CONTENTS FROM BOX. VERIFY ALL PARTS ARE PRESENT. READ INSTRUCTIONS CAREFULLY BEFORE STARTING INSTALLATION.**

1. Remove contents from box and check for damage. Verify all parts are present. Read instructions completely before installing.
2. Locate mounting locations as shown on **Fig 1**.
3. Install u-nuts as shown. **SEE FIG 2**.
4. Attach mounting brackets as shown. Finger tighten. **SEE FIG 3**.
5. Insert square head bolts as shown.(3 per slot,6 per board),**SEE FIG 4**.
6. Attach board to brackets. Make sure board and brackets are properly aligned and tighten fasteners. **As shown on FIG 5**.

**To protect your investment**, wax this product after installing. Regular waxing is recommended to add a protective layer over the finish. Do not use any type of polish or wax that may contain abrasives that could damage the finish.

**For Polished Finishes:** Aluminum polish may be used to polish small scratches and scuffs on the finish. Mild soap may be used also to clean the Running Board.

**For black finishes:** Mild soap may be used to clean the Running Board



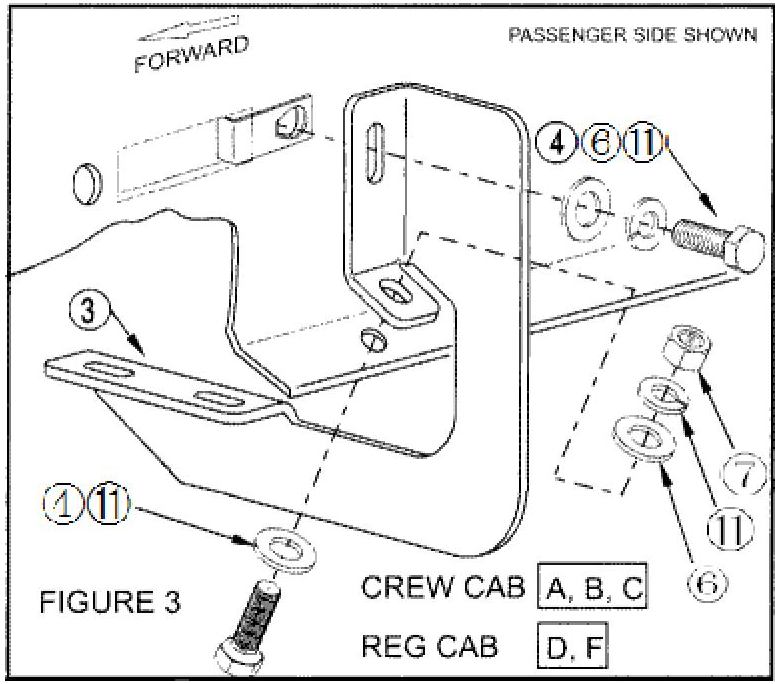


FIGURE 4 Slip M6 Square Head Bolts into channel

