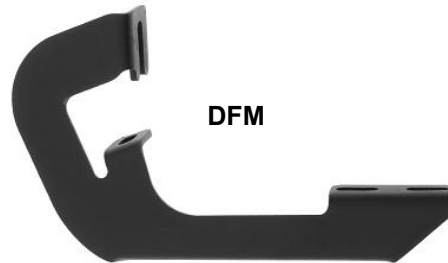


PARTS LIST:

Item	QTY	Description	Item	QTY	Description
#01	1	Driver Side Bar	#07	6	M8 Hex Nut
#02	1	Passenger Side Bar	#08	12	M6 Flat Washer
#03	6	L Mounting Bracket (DFM)	#09	12	M6 Nylon Lock Nut
#04	12	M8X1.25-30 Hex Bolt	#10	6	M8 Extruded U-Nut
#05	12	M6 Square Head Bolt	#11	12	M8 Lock Washer
#06	18	M8 Flat Washer			



INSTALLATION INSTRUCTION:

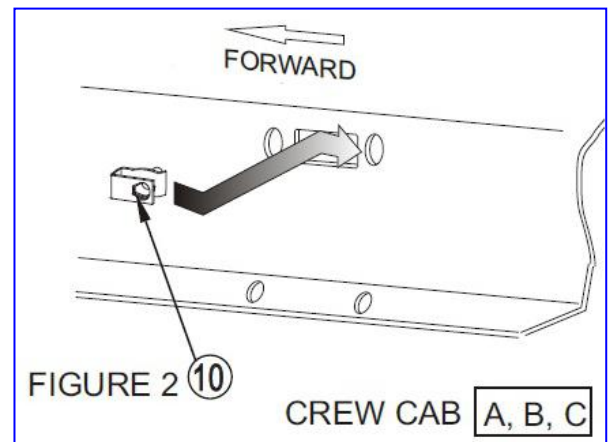
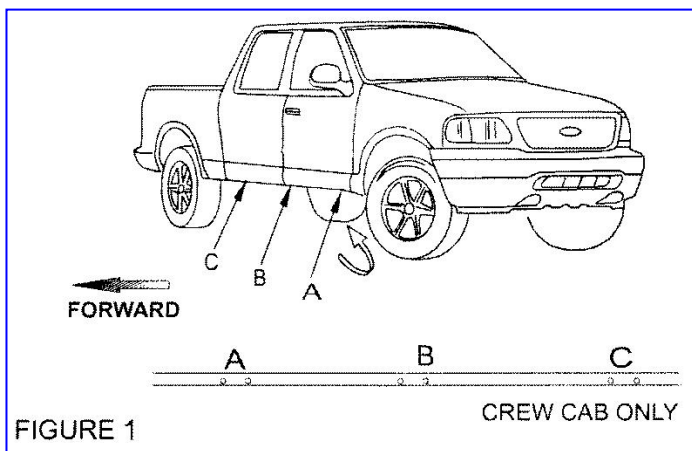
REMOVE CONTENTS FROM BOX. VERIFY ALL PARTS ARE PRESENT. READ INSTRUCTIONS CAREFULLY BEFORE STARTING INSTALLATION.

1. Remove contents from box and check for damage. Verify all parts are present. Read instructions completely before installing.
2. Locate mounting locations as shown on **Fig 1**.
3. Install u-nuts as shown. **SEE FIG 2**.
4. Attach mounting brackets as shown. Finger tighten. **SEE FIG 3**.
5. Insert square head bolts as shown.(3 per slot,6 per board),**SEE FIG 4**.
6. Attach board to brackets. Make sure board and brackets are properly aligned and tighten fasteners. **As shown on FIG 5**.

To protect your investment, wax this product after installing. Regular waxing is recommended to add a protective layer over the finish. Do not use any type of polish or wax that may contain abrasives that could damage the finish.

For Polished Finishes: Aluminum polish may be used to polish small scratches and scuffs on the finish. Mild soap may be used also to clean the Running Board.

For black finishes: Mild soap may be used to clean the Running Board



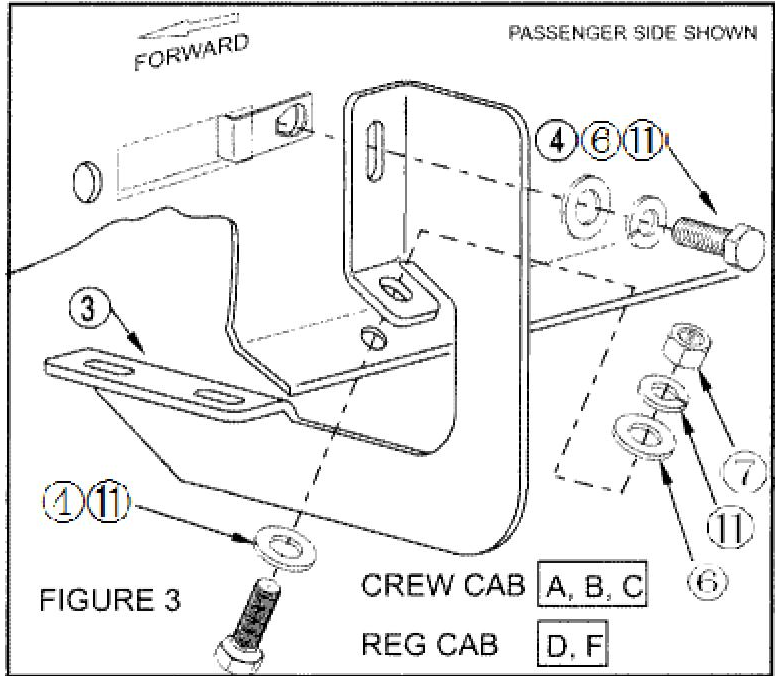


FIGURE 4 Slip M6 Square Head Bolts into channel

