

Installation Instruction

Part#: IB06DJC4A

REV: 20141001

Application: 01-07 FORD ESCAPE & MAZDA TRIBUTE

Item	Part Name	QTY	Item	Part Name	QTY
1	Driver/Left Sidebar	1	9	10mm Lock Washers	4
2	Passenger/Right Sidebar	1	10	10mm x 30mm OD x 2.5mm Flat Washers	4
3	Front /Center Mounting Bracket	4	11	8mm x 1.25mmx 35mm Hex Bolts	8
4	Driver/Left Rear Mounting Bracket	1	12	8mm Lock Washers	32
5	Passenger/Right Rear Mounting Bracket	1	13	8mm x 28mm OD x 3mm Flat Washers	8
6	10mm Left Double Nut Plate	1	14	8mm x 1.25mmx25mm Button Head Bolts	24
7	10mm Right Double Nut Plate	1	15	8mm x 24mm OD x 2mm Flat Washers	24
8	10mm x 1.5mmx 40mm Hex Bolts	4	16	5mm Allen Wrench	1



Driver/Left Rear Mounting Bracket



Front /Center Mounting Bracket



Passenger/Right Rear Mounting Bracket

Step	Installation Instruction
1	<u>CHECK PART LIST AND MAKE SURE ALL COMPONENTS ARE PRESENT. READ FOLLOWING INSTRUCTIONS CAREFULLY BEFORE STARTING INSTALLATION. DRILLING REQUIRED.</u>
2	Starting the installation at the driver side-left front, locate the (2) factory 8mm threaded holes in the inner body panel, (Figures 1 & 3). NOTE: Holes may be covered with plugs or undercoating. Select (1) Driver side front or center Bracket (same). Bolt the Bracket to the (2) threaded holes with (2) 8mm x 35mm Hex Bolts, (2) 8mm Lock washers and (2) 8mm Flat washers. Leave hardware loose at this time.
3	Repeat Step 2 for driver side Center Bracket installation, (Figure 3).

The instruction here is for your reference only. We strongly recommend the professional installer for best result. We are not responsible for any damage caused by the installation. Thank you for choosing our product!

Installation Instruction

Part#: IB06DJC4A

REV: 20141001

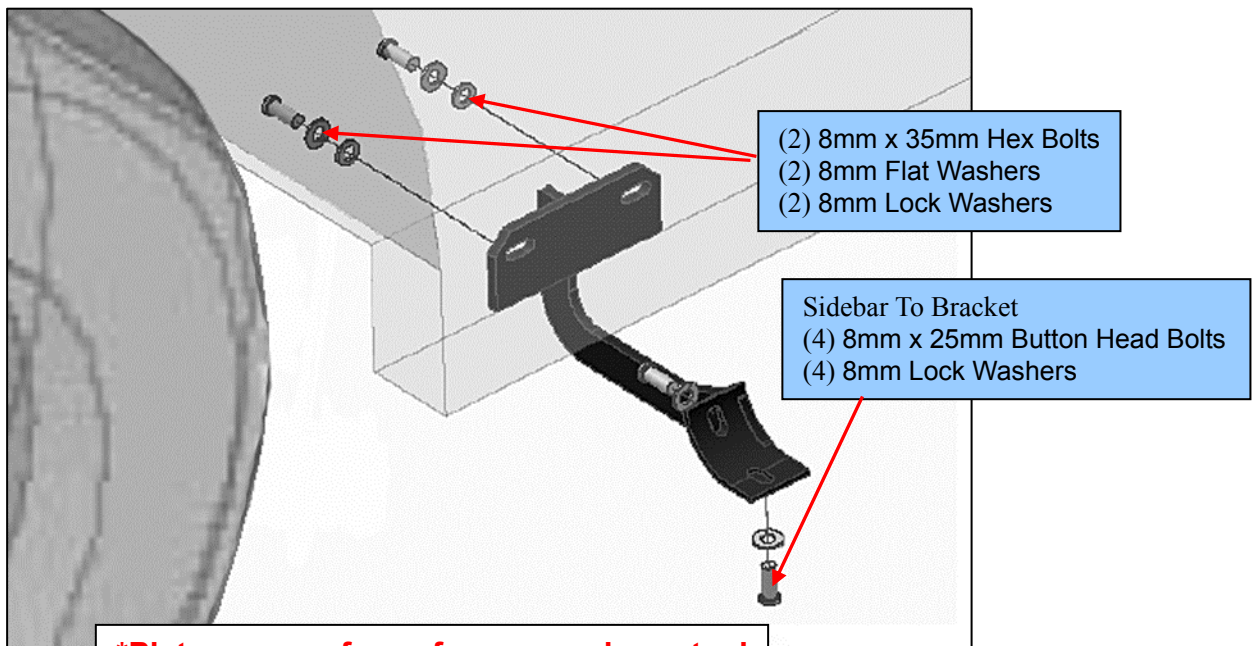
Application:01-07 FORD ESCAPE & MAZDA TRIBUTE

4	Move toward the rear of the vehicle. Locate the oval and round hole in bottom of the floor panel. Insert (1) 10mm Double Nut Plate into the oval hole. Line up the threaded nuts with the round and oval holes, (Figures 2 & 3). NOTE: Nut Plate must be flat against the inside of the body panel with the Welded nuts on top.
5	Select the driver side Rear Bracket. Bolt the Bracket to the Nut Plate with (2) 10mm x 40mm Hex Bolts, (2) 10mm Split Lock washers and (2) 10mm Flat washers, (Figures 2 & 3). Do not tighten hardware at this time.
6	Carefully position the driver Sidebar onto the Mounting Brackets and secure using (12) 8mm x 25mm Button Head Bolts and (12) 8mm Lock Washers, (Figure 3). Snug but do not tighten hardware at this time.
7	Adjust and level the Sidebar and tighten all hardware.
8	Repeat Steps 2 - 7 for passenger/right Sidebar installation.
9	Do periodic inspections to the installation to make sure that all hardware is secure and tight.

To protect your investment, wax this product after installing. Regular waxing is recommended to add a protective layer over the finish. Do not use any type of polish or wax that may contain abrasives that could damage the finish.

For stainless steel: Aluminum polish may be used to polish small scratches and scuffs on the finish. Mild soap may be used also to clean the Sidebar.

For gloss black finishes: Mild soap may be used to clean the Sidebar.



***Pictures are for reference only, actual brackets & bars may be a little different ***

The instruction here is for your reference only. We strongly recommend the professional installer for best result. We are not responsible for any damage caused by the installation. Thank you for choosing our product!

Installation Instruction

Part#: IB06DJC4A

REV: 20141001

Application:01-07 FORD ESCAPE & MAZDA TRIBUTE

10mm Double Nut Plate

10mm Flat Washer
10mm Lock Washer
10mm Hex Bolt

***Pictures are for reference only, actual brackets & bars may be a little different ***

10mm Double Nut Plate

(2) 8mm x 35mm Hex Bolts
(2) 8mm Flat Washers
(2) 8mm Lock Washers

Sidebar To Bracket
(12) 8mm x 25mm Button Head Bolts
(12) 8mm Lock Washers

The instruction here is for your reference only. We strongly recommend the professional installer for best result. We are not responsible for any damage caused by the installation. Thank you for choosing our product!