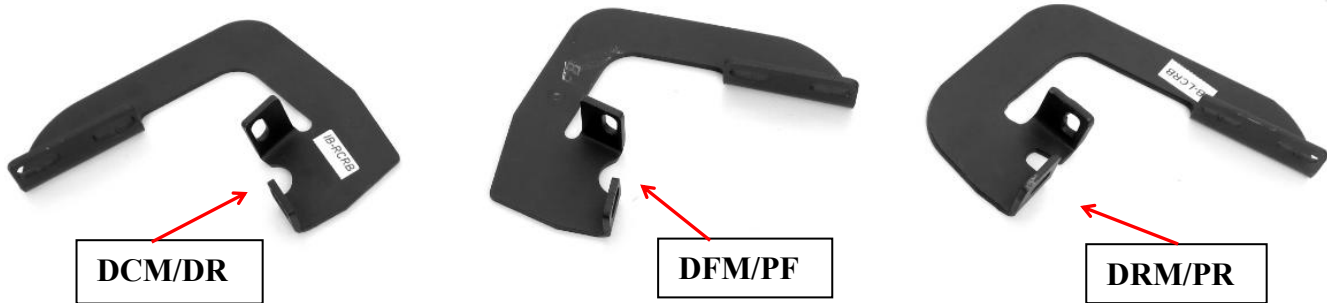


PARTS LIST:

Item	QTY	Description	Item	QTY	Description
#01 #02	2	STEP BOARD, PASSENGER (1) AND DRIVER (2)	#08	6	ST8x25 Self Tapping Screw
#03	2	Front Bracket (DFM/PFM)	#09	18	M8 Flat Washers
#04	2	Left Center/Rear Bracket Passenger (DCM/PRM)	#10	12	M8 Lock Washers
#05	2	Right Center/Rear Bracket Passenger (DRM/PRM)	#11	12	M6 Square Hex Bolt
#06	12	M8X1.25-25mm Hex Bolt	#12	12	M6 Nylon Lock Nuts
#07	6	M8 Hex Nuts	#13	12	M6 Flat Washers



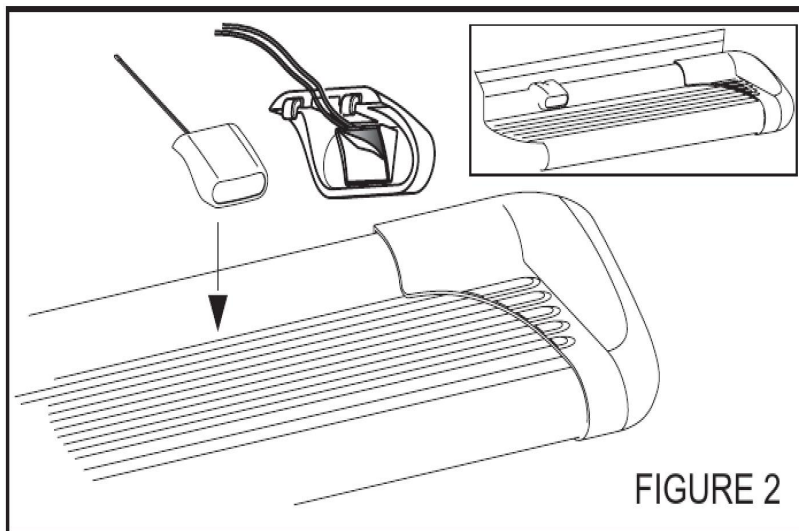
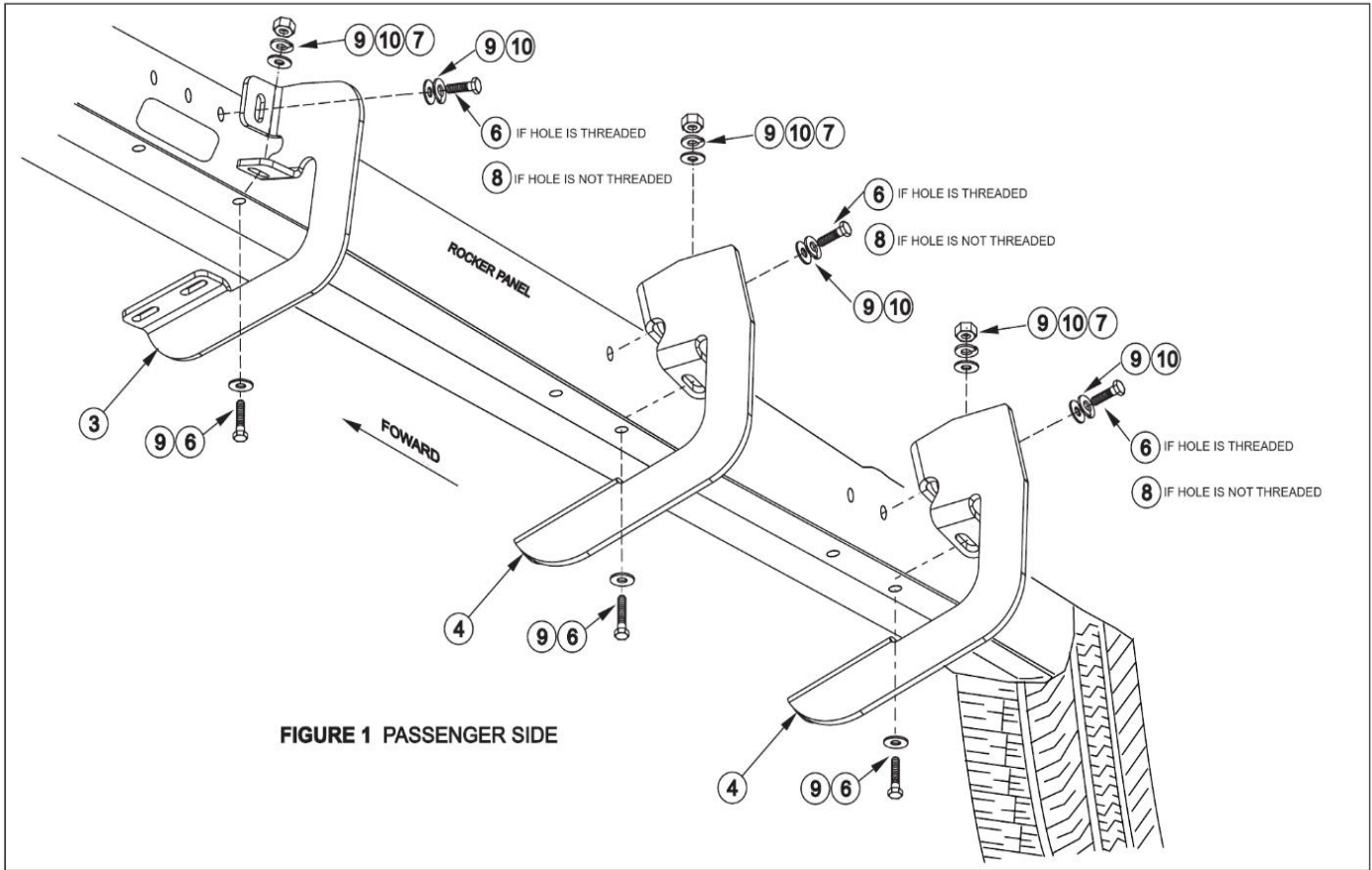
INSTALLATION INSTRUCTION:

1. Remove contents from box and check for damage. Verify all parts are present. Read instructions completely before beginning. If desired, for this vehicle application, the Sure-Grip Gap Strip Kit (part #27-9907) can be purchased and used with the Sure-Grip running boards.
2. Remove any tape on the inside of rocker panel that covers the mounting holes. **NOTE:** M8 self tapping bolts replace one 8mm bolt per bracket if the factory holes are not tapped for 8mm bolts.
3. Attach brackets to underside of body panel as shown. Leave loose. **SEE FIGURE1.**
4. Insert square head bolts as shown (3 per slot,6 per Step board/Running board).**SEE FIGURES 3 AND 4.****NOTE:**For lighted boards,run wiring harness prior to attaching board to brackets (refer to Step6) **SEE FIGURES 7.**Run longer wire harness on passenger side.
5. For Sure-Grip Running Boards, if purchased, slide closure strip as shown. Set lights (if purchased) in appropriate location. Attach to Sure-Grip Running Board as shown. **SEE FIGURE2.** Drill hole through plastic strip and run wires as shown. **SEE FIGURE5**
6. Attach board to brackets as shown . Make sure board and brackets are properly aligned and tighten .fasteners.Recommended torque values are 16 Ft. Lbs. for 8mm fasteners, 5 Ft. Lbs. For M8 self tapping bolts, and 10 Ft. Lbs. for M6 square head fasteners.**SEE FIGURE 6 .NOTE:**For lighted version of Molded Step Board, remove plastic cover from each end of under side of board. Proceed to **Steps 7-8.**
7. Under-coat board, brackets and electrical wires, connections and lenses for harsh weather conditions. Reinstall plastic cover on underside of Step boards.**INSTALLATION IS COMPLETE.**

To protect your investment, wax this product after installing. Regular waxing is recommended to add a protective layer over the finish. Do not use any type of polish or wax that may contain abrasives that could damage the finish.

For Polished Finishes: Aluminum polish may be used to polish small scratches and scuffs on the finish. Mild soap may be used also to clean the Running Board.

For black finishes: Mild soap may be used to clean the Running Board.



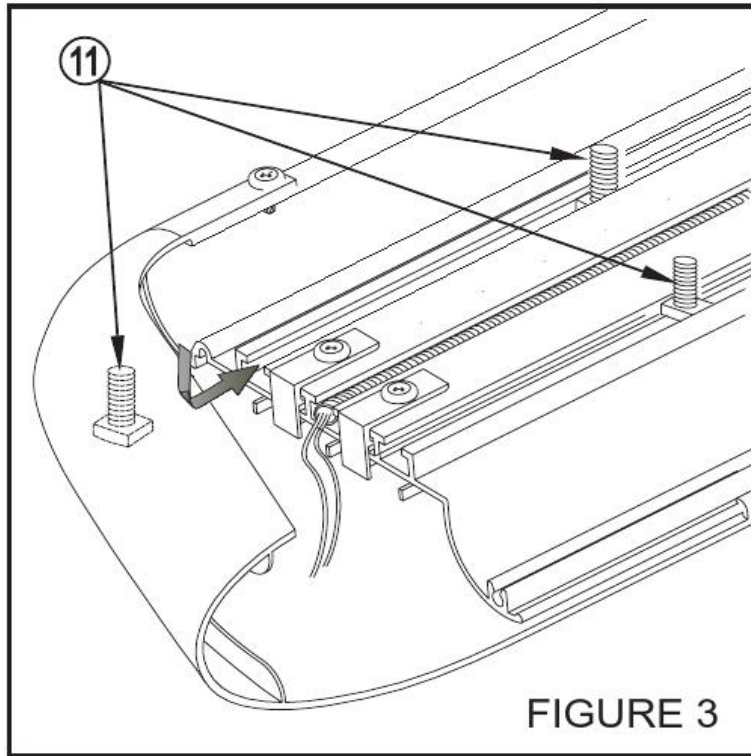


FIGURE 3

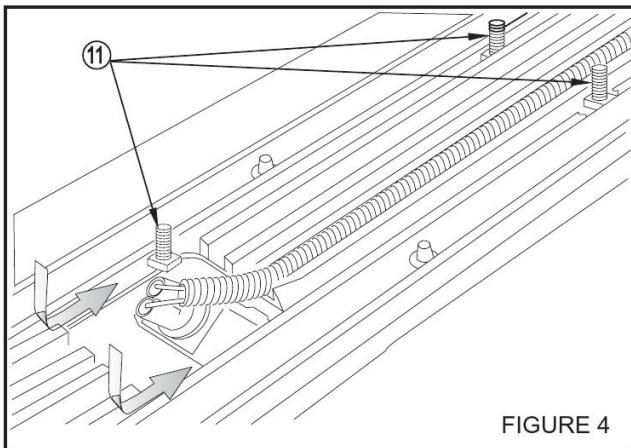


FIGURE 4

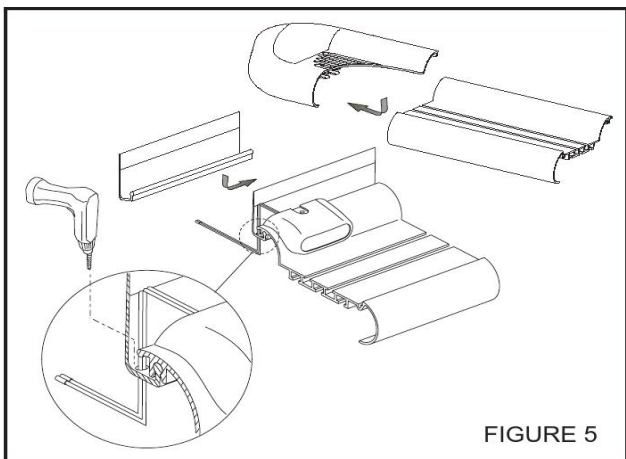


FIGURE 5

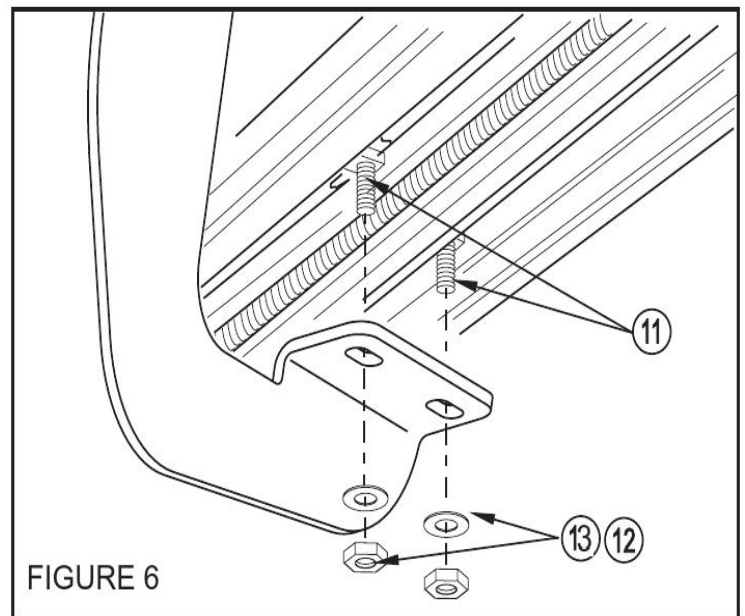


FIGURE 6

***Pictures are for reference only,
actual bars may be a little**