

iRunning Board Installation Instruction

Application: 2002-2008 Dodge Ram 1500 Quad Cab
2003-2009 Dodge Ram 2500/3500 Quad Cab

REV: 20170601

Item	Part Name	QTY	Item	Part Name	QTY
1	Driver Front Mounting Bracket (LFB)	1	11	M6 Square Hex Bolt	16
2	Passenger Front Mounting Bracket (RFB)	1	12	M6 Nylon Lock Nuts	16
3	Center Bracket (CB)	4	13	M6 Flat Washers	16
4	Driver Rear Mounting Bracket (LRB)	1	14	ST6x25 Self Tapping Screw	8
5	Passenger Rear Mounting Bracket (RRB)	1	15	M6 Hex Head Bolt	8
6	Plastic Washer	8	16	M6 Flat Washers	16
7	M10x35 Bolt Plate	8	17	M6 Lock Washer	8
8	M10 Flat Washers	8	18	M6 Hex Nuts	8
9	M10 Lock Washer	8	19	Driver side Running Board	1
10	M10 Hex Nuts	8	20	Passenger side Running Board	1



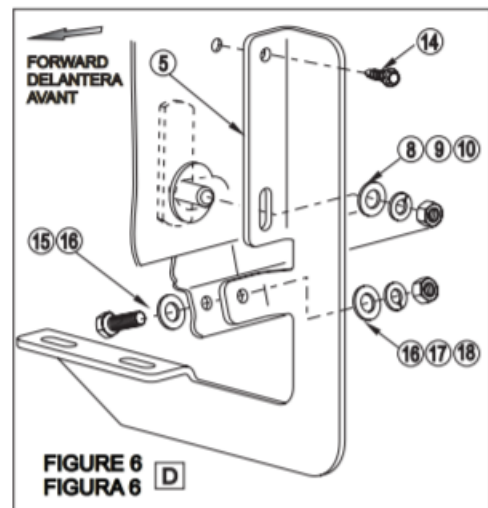
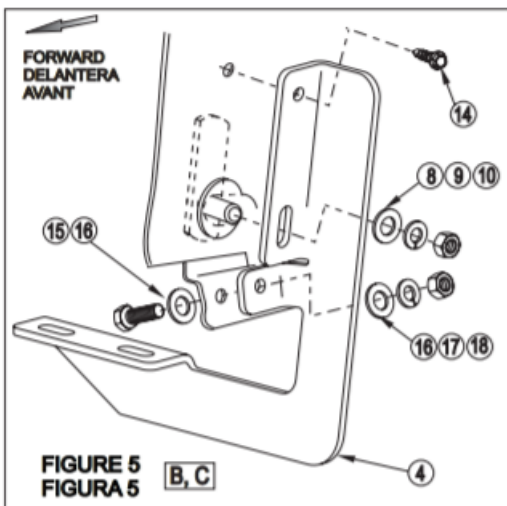
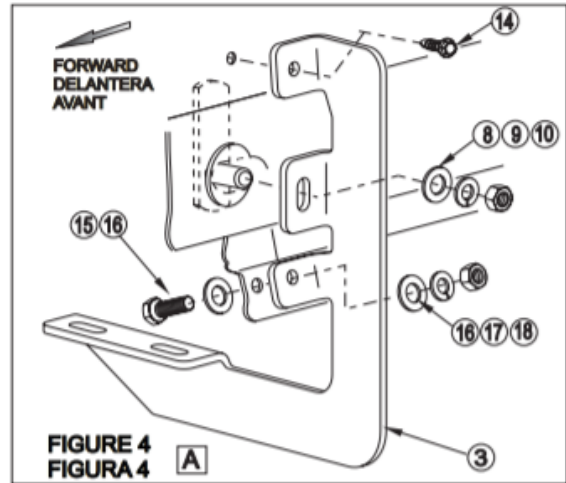
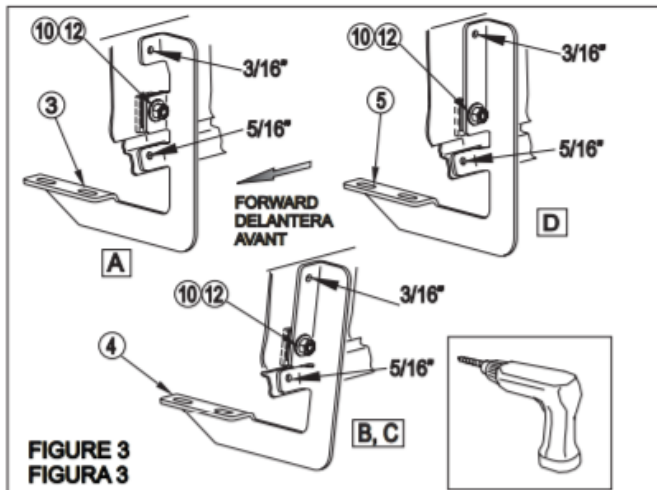
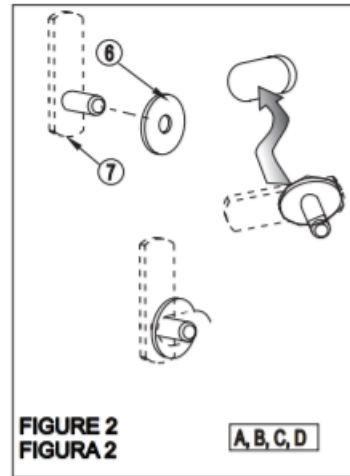
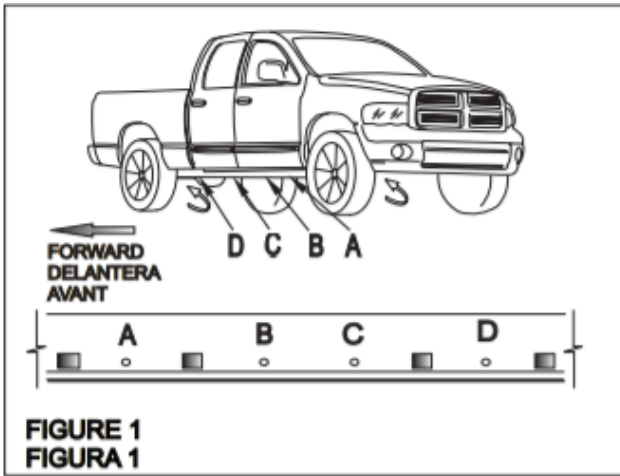
Step	Description
1	Verify all parts are present. Read and understand instructions before beginning.
2	Remove tape from locations as shown. Install bolt plates as shown. (See FIG 1 & 2).
3	Attach brackets. Mark holes. Remove brackets. Drill holes as shown. (See FIG 3). NOTE: Be sure to use the correct drill bit size for each hole.
4	Attach mounting brackets as shown. Hand tighten. (See FIG 4-front brackets, FIG 5-center bracket and FIG 6-rear brackets)
5	Insert square head bolts as shown (See FIG 7).
6	Attach Step board / Running board to brackets as shown. Align and tighten all hardware. (See FIG 8).
7	INSTALLATION IS COMPLETE.

The instruction here is for your reference only. We strongly recommend the professional installer for best result. We are not responsible for any damage caused by the installation. Thank you for choosing our product!

iRunning Board Installation Instruction

Application: 2002-2008 Dodge Ram 1500 Quad Cab
2003-2009 Dodge Ram 2500/3500 Quad Cab

REV: 20170601



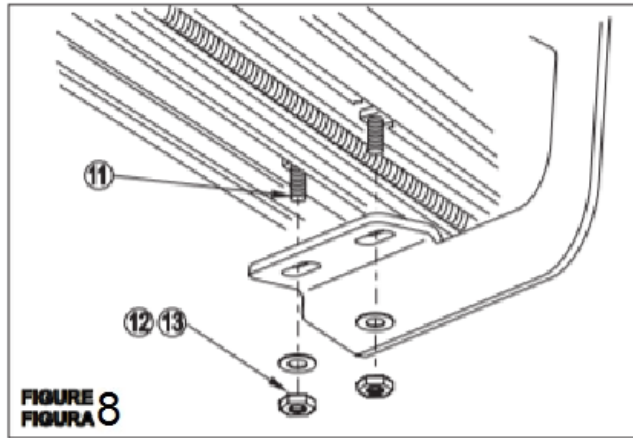
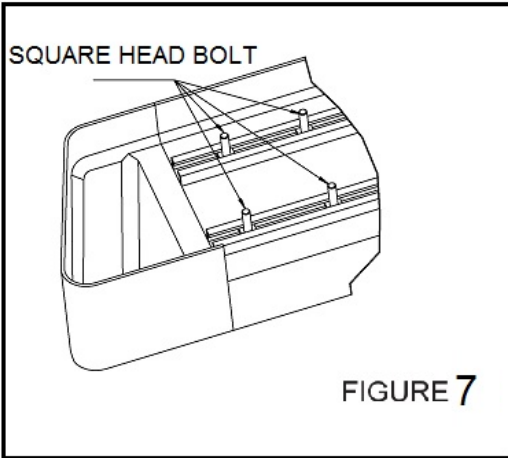
***Pictures are for reference only,
actual bars may be a little different.**

The instruction here is for your reference only. We strongly recommend the professional installer for best result. We are not responsible for any damage caused by the installation. Thank you for choosing our product!

iRunning Board Installation Instruction

Application: 2002-2008 Dodge Ram 1500 Quad Cab
2003-2009 Dodge Ram 2500/3500 Quad Cab

REV: 20170601



***Pictures are for reference only,
actual bars may be a little different.**



FINISH PROTECTION

Products have a high quality finish that must be cared for like any other exposed finish on the vehicle. Protect the finish with a non-abrasive automotive wax, (e.g. Pure Carnauba) on a regular basis. The use of any soap, polish or wax that contains an abrasive is detrimental, as the compounds scratch the finish and open it to corrosion.

The instruction here is for your reference only. We strongly recommend the professional installer for best result. We are not responsible for any damage caused by the installation. Thank you for choosing our product!