

iRunning Board Installation Instruction

Application: 1998-2000 DODGE DURANGO
1999-2000 DODGE Dakota Quad Cab

REV: 20170601

Item	Part Name	QTY	Item	Part Name	QTY
1	Running Boards (Driver+Passenger)	2	7	M8 Heavy Flat Washers	16
2	Mounting Bracket (MB)	8	8	M8 Nylon Lock Nuts	8
3	Support Bracket (SB)	8	9	M8 Flange Nuts	32
4	M8 Hex Head Bolt	40	10	M6 Square Head Bolt	16
5	ST 6.2-22 Self Drilling Screw	16	11	M6 Flat Washers	16
6	M8 Flat Washers	32	12	M6 Nylon Lock Nuts	16

Support Bracket (SB)



Mounting Bracket (MB)



NOTE: All Brackets are universal and will fit both side of the vehicle!

Step	Description
1	Verify all parts are present. Read and understand instructions before beginning.
2	Drill M8 holes in pinch weld as shown (See FIG 1) .
3	Attach support brackets as shown. Hand tighten. (See FIG 2, 3) .
4	Attach mounting brackets as shown. Hand tighten (See FIG 4, 5)
5	Insert square head bolts as shown (4 per slot, 8 per Step board/Running board) (See FIG 6) .
7	Attach Step board / Running board to brackets as shown. Align and tighten . (See FIG 7) .
9	INSTALLATION IS COMPLETE.

FINISH PROTECT:

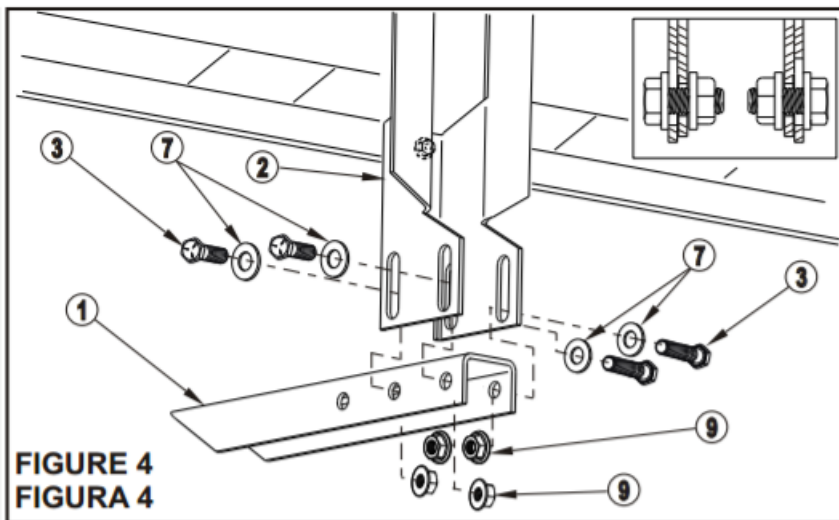
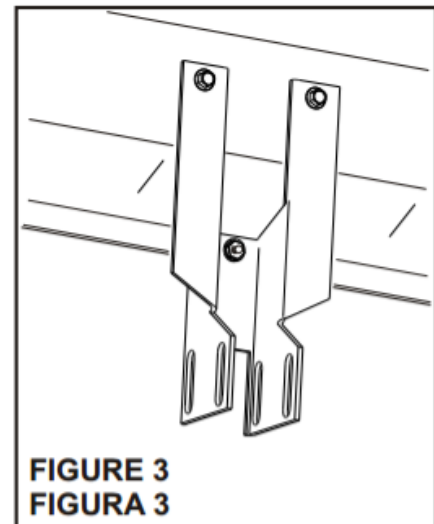
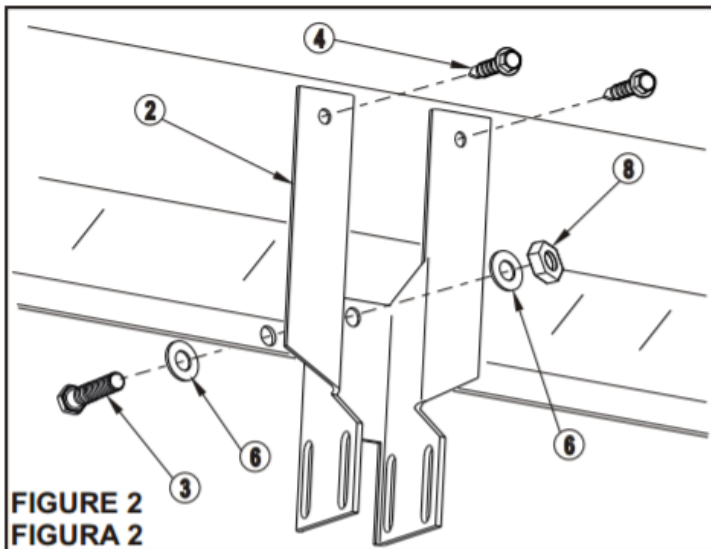
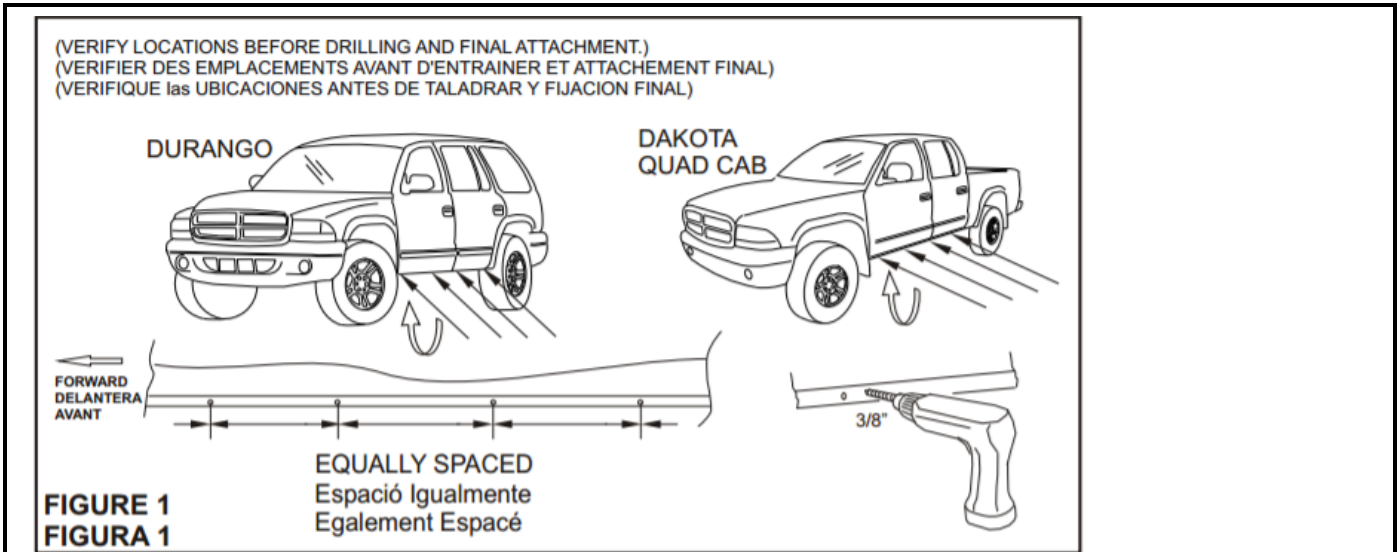
Products have a high quality finish that must be cared for like any other exposed finish on the vehicle. Protect the finish with a non-abrasive automotive wax, (e.g.Pure Carnauba) on a regular basis. The use of any soap, polish or wax that contains an abrasive is detrimental, as the compounds scratch the finish and open it to corrosion.

The instruction here is for your reference only. We strongly recommend the professional installer for best result. We are not responsible for any damage caused by the installation. Thank you for choosing our product!

iRunning Board Installation Instruction

Application: 1998-2000 DODGE DURANGO
1999-2000 DODGE Dakota Quad Cab

REV: 20170601



***Pictures are for reference only, actual bars may be a little different.**

The instruction here is for your reference only. We strongly recommend the professional installer for best result. We are not responsible for any damage caused by the installation. Thank you for choosing our product!

iRunning Board Installation Instruction

Application: 1998-2000 DODGE DURANGO
1999-2000 DODGE Dakota Quad Cab

REV: 20170601

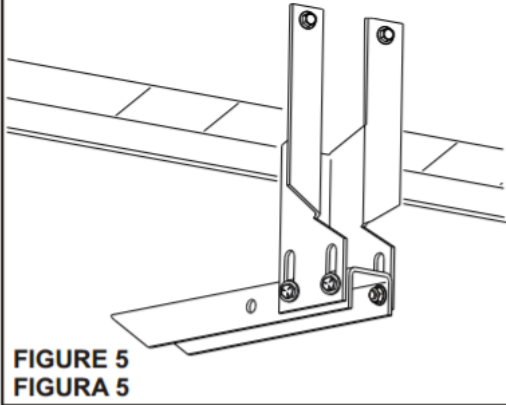


FIGURE 5
FIGURA 5

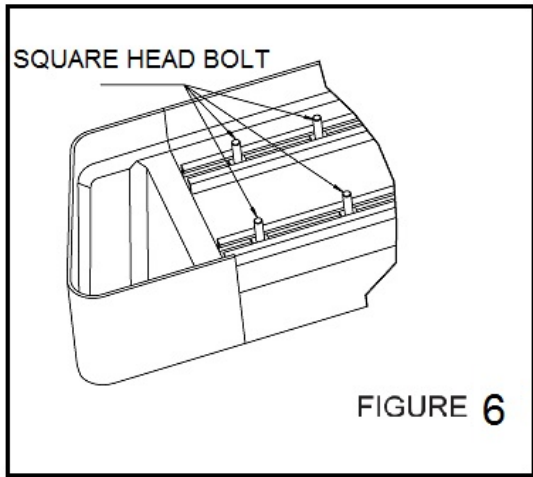


FIGURE 6

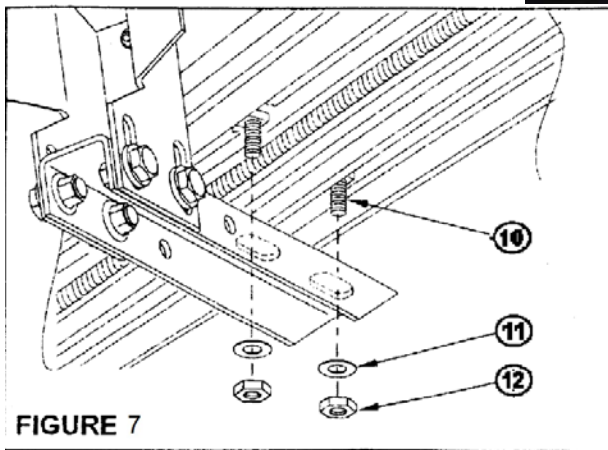


FIGURE 7

***Pictures are for reference only, actual bars may be a little different.**

The instruction here is for your reference only. We strongly recommend the professional installer for best result. We are not responsible for any damage caused by the installation. Thank you for choosing our product!