

Installation Instructions for IB-D002

by APS Auto Parts Specialist Inc.

Application: For 2002-2008 Dodge Ram 1500 Quad Cab/
2003-2009 Dodge Ram 2500/3500 Quad Cab

Estimated Time: 1 to 2 hours



Disclaimer: Instructions intended for persons aged 18+ please do not attempt without adult supervision. Instructions are not intended to replace professional installation. Damage from improper installation, misuse or modification to the product voids the manufacturer's warranty.

PARTS LIST:

Item	QTY	Description	Item	QTY	Description
#1	2	Running Board(use for left or right)	#11	12	8mm x 25mm Hex Bolts
#2	2	Driver Front/Rear Mounting Brackets(DFM/DRM)	#12	12	8.4mm x 24mm x 2mm Flat Washers
#3	1	Driver Center Mounting Bracket(DCM)	#13	6	10mm x 34mm x 3mm Flat Washers
#4	2	Passenger Front/Rear Mounting Brackets(PFM/PRM)	#14	12	M6 Nylon Lock Nuts
#5	1	Passenger Center Mounting Bracket(PCM)	#15	6	M10 Lock Washers
#6	3	Driver Support Brackets(DFS/DCS/DRS)	#16	12	9mm x 16mm x 1.6mm Flat Washers
#7	3	Passenger Support Brackets(PFS/PCS/PRS)	#17	12	M6-1.0mm x 20mm T-Bolts
#8	6	M10 x 35m T-Bolt Plates	#18	12	6mm x 22mm x 2mm Flat Washers
#9	6	0.7*40*40 Plastic Retainers	#19	12	M8 Nylon Lock Nuts
#10	6	M10 Hex Nuts			

**PROCEDURE:**

- 1. REMOVE CONTENTS FROM BOX. VERIFY ALL PARTS ARE PRESENT. READ INSTRUCTIONS CAREFULLY BEFORE STARTING INSTALLATION. ASSISTANCE IS RECOMMENDED.**
- Starting toward the front of the driver side, locate the (2) oval holes in the inner body panel. Remove the tape covering the second factory hole, **(Figure 1)**. Thread (1) Plastic Retainer part way onto (1) M10 x 35mm Bolt Plate, **(Figure 2)**. Insert the Bolt Plate into the factory hole on the rocker panel. Hold the Bolt Plate in place with one hand and continue to thread the Plastic Retainer down against the sheet metal until it holds the Bolt Plate in place, **(Figures 3 & 12)**. **IMPORTANT:** The Plastic Retainer is designed to prevent the Bolt Plate from falling into the body panel and to aid Bracket installation.
- Select the driver side front Mounting Bracket, **(Figure 4A & 4B)**. **IMPORTANT:** The (3) driver side Brackets look similar but only the front and rear are the same and the center Bracket is unique. Use the illustration on **Page 1** and **Figure 4A** to properly identify the Brackets.
- Attach the Bracket to the Bolt Plate with (1) M10 Flat Washer, (1) M10 Lock Washer and (1) M10 Hex Nut, **(Figure 5)**. Do not fully tighten hardware at this time.
- Next, select (1) driver side Support Bracket, **(Figure 6)**. Bolt the 90-degree bent end of the Support Bracket to the front of the Mounting Bracket with (1) M8 x 25mm Hex Bolt, (2) 8.4mm

x 24mm x 2mm Flat Washers and (1) M8 Nylon Lock Nut, **(Figure 7)** . Do not fully tighten hardware at this time. **NOTE:** Place the flat end of the Support Bracket up against the pinch weld at the bottom of the body panel.

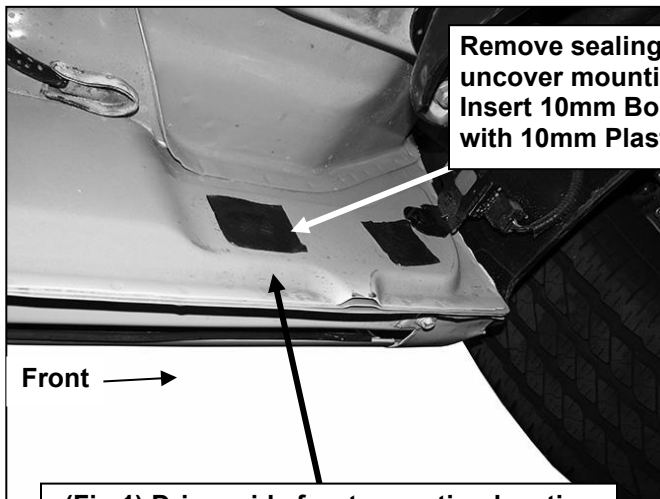
6. Move along the body toward the middle of the cab slightly ahead or where the front and rear doors meet. Locate the factory oval hole as described in **Step 2, (Figure 8)**. Select the driver side Center Bracket, **(Figure 9)**, and (1) driver side Support Bracket. Repeat **Steps 2-5** to install the driver side Center Brackets, **(Figure 10)**.
7. Next, move to the rear Mounting Bracket location toward the back of the cab. Remove the tape covering the second oval hole from the end of the cab, **(Figure 11)**. Repeat **Steps 2-5** to install the driver side rear Mounting Bracket, **(Figures 12 & 13)**.
8. Once all (3) Brackets and Support Brackets have been fully installed, Select the Running Board. Slip (6) M6 T-Bolts into each bottom channel **(Figure 14)**. Carefully position the Running Board onto the (3) Mounting Brackets. **IMPORTANT:** Do not slide the Running Board on the Brackets or damage to the finish may result. Attach the Running Board to the Mounting Brackets with (6) M6 T-bolts,(6) 6mm x 22mm x 2mm Flat Washers and (6) M6 Nylon Lock Nuts **(Figure 17-19)**. Do not tighten hardware.
9. Level and adjust the Running Board and tighten all 10mm Mounting Bracket hardware.
10. Move to the front Bracket location. Move the Support Bracket up against the underside of the body and flat against the back of the pinch weld. Mark the location of the center of the slot onto the pinch weld, **(Figure 15)**. **IMPORTANT:** Make sure that you do not drill too close to the edge of the pinch weld. Adjust Mounting Brackets up or down to level the Running Board and line up the Support Brackets above the bottom edge of the pinch weld. Repeat as necessary to line up and mark all (3) Support Bracket locations, **(Figure 16)**.
11. Use a 5/16" (or 8mm) drill bit to drill through the pinch weld for all (3) Support Brackets. Bolt each Support Bracket to the back of the pinch weld with (1) M8 x 25mm Hex Bolt, (2) 9mm x 16mm Flat Washers and (1) M8 Nylon Lock Nut, **(Figures 17-19)**.
12. Level and adjust the Running Board and fully tighten all hardware.
13. Repeat **Steps 2-12** for the passenger/right side Running Board installation.
14. Do periodic inspections to the installation to make sure that all hardware is secure and tight.

To protect your investment, wax this product after installing. Regular waxing is recommended to add a protective layer over the finish. Do not use any type of polish or wax that may contain abrasives that could damage the finish.

For Polished Finishes: Aluminum polish may be used to polish small scratches and scuffs on the finish. Mild soap may be used also to clean the Running Board.

For black finishes: Mild soap may be used to clean the Running Board.

Driver Side Installation Pictured



(Fig 1) Driver side front mounting location

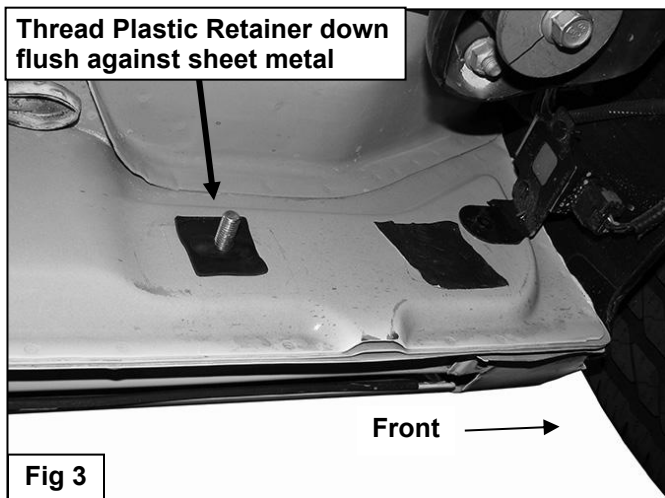


Fig 3

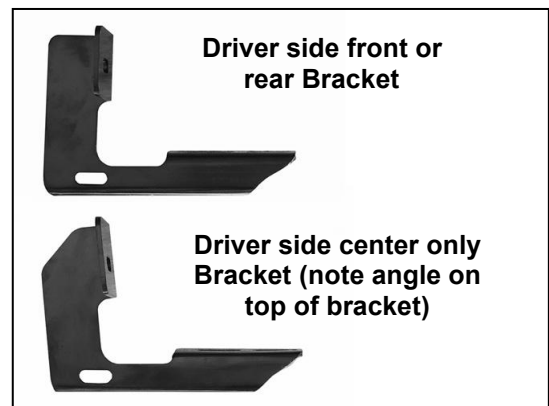
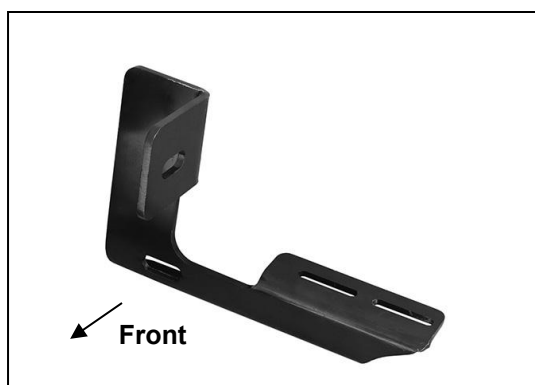
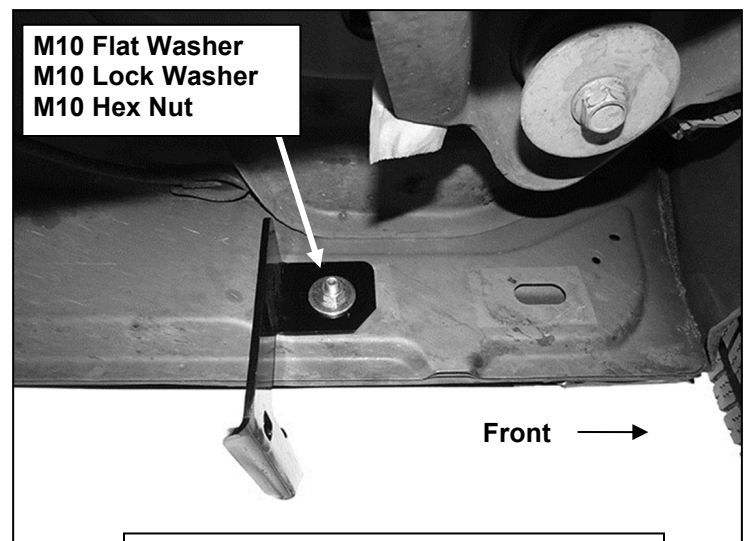


Fig 4A



(Fig 4B) Driver side front or rear Bracket

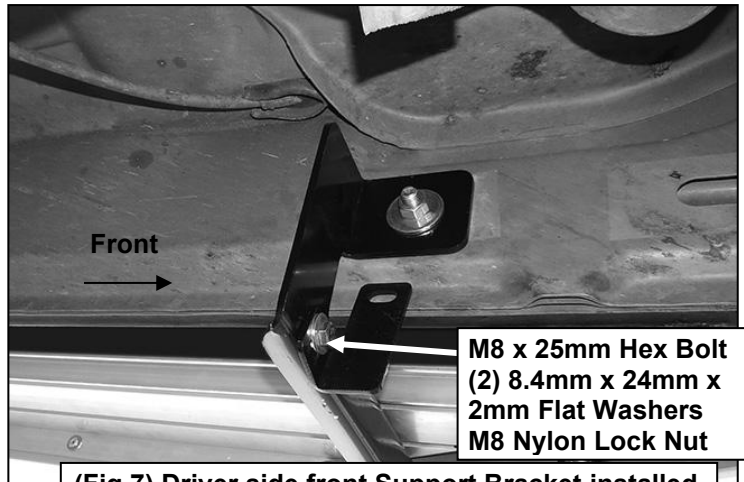


(Fig 5) Driver side front Bracket installed

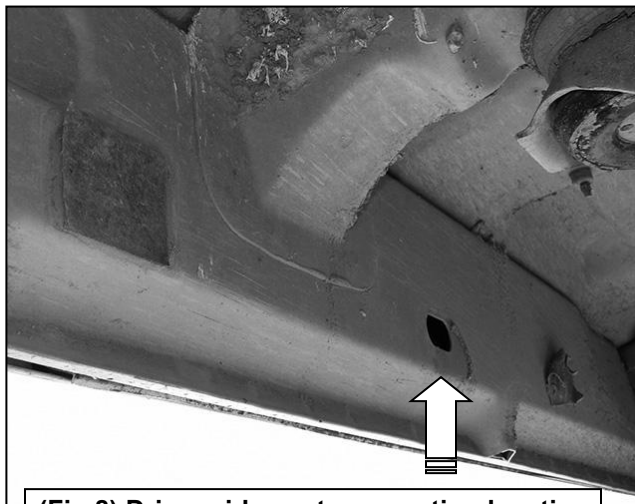
Driver Side Installation Pictured



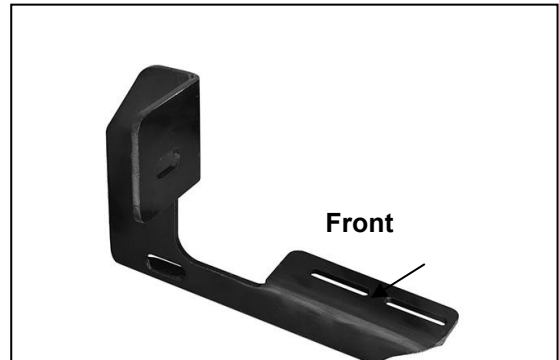
(Fig 6) Driver side Support Bracket (1 of 3)



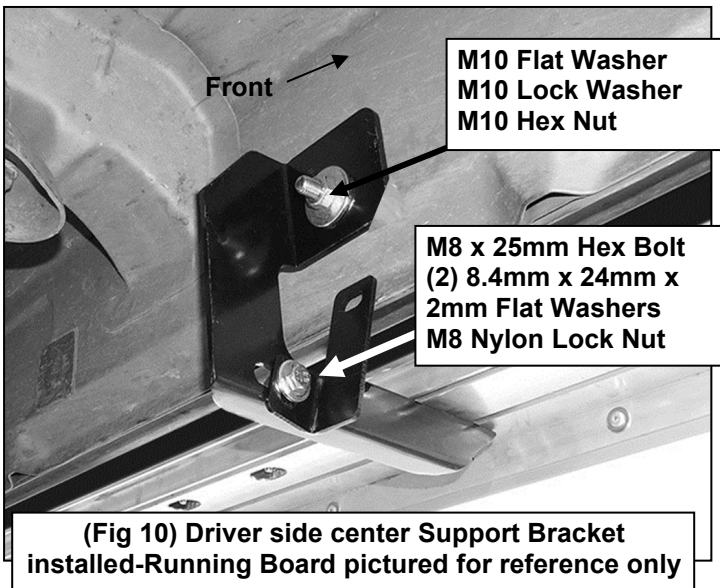
(Fig 7) Driver side front Support Bracket installed-Running Board pictured for reference only



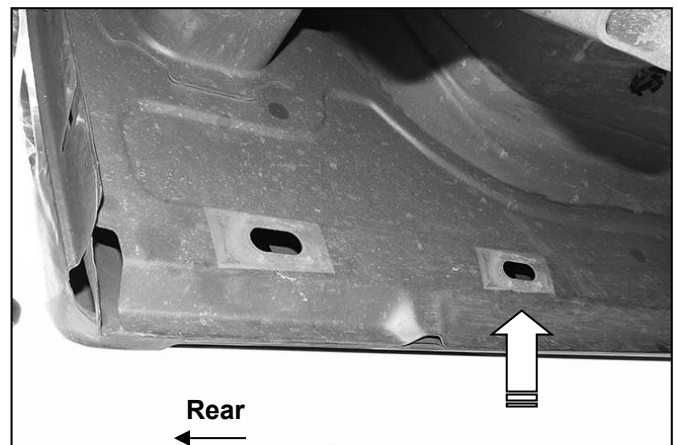
(Fig 8) Driver side center mounting location



(Fig 9) Driver side center only Bracket

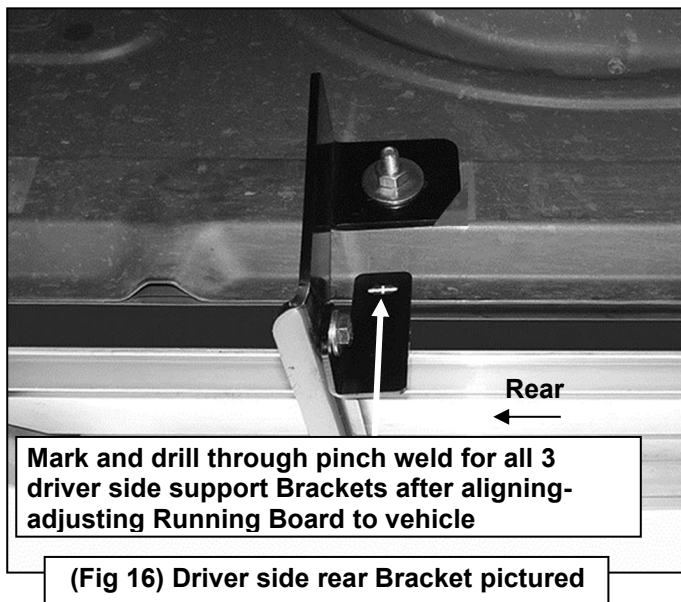
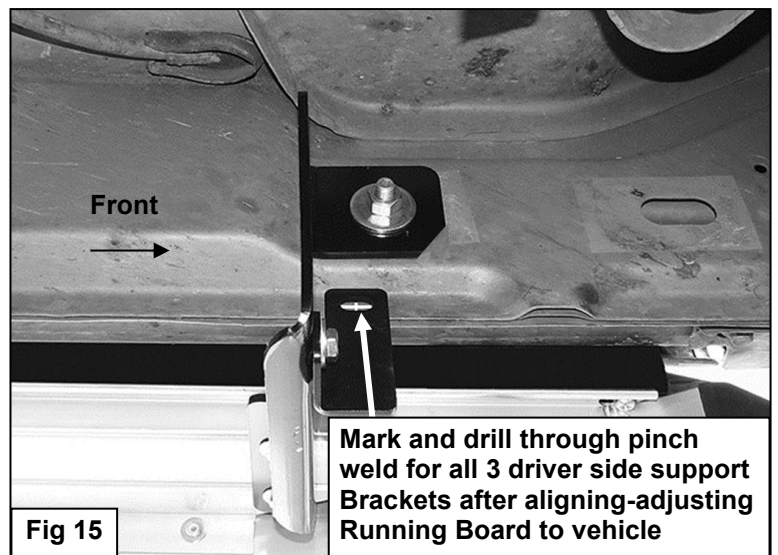
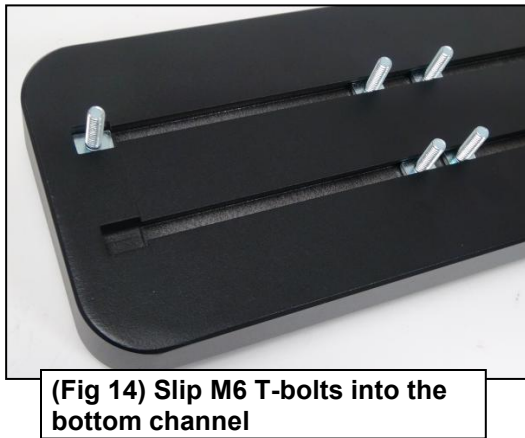
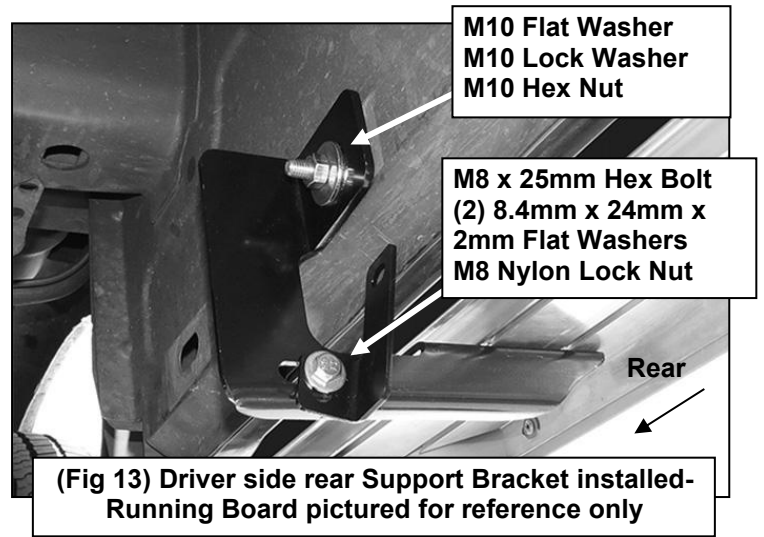
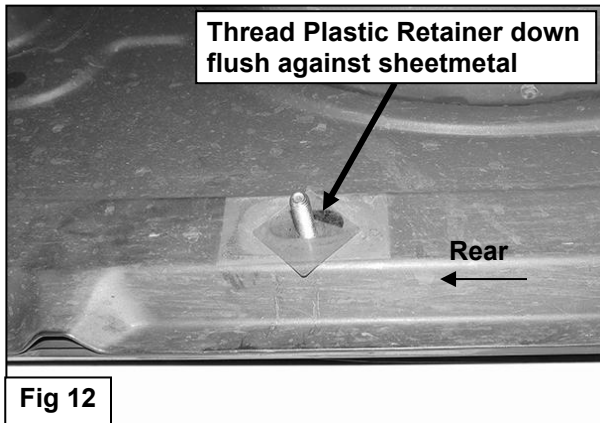


(Fig 10) Driver side center Support Bracket installed-Running Board pictured for reference only

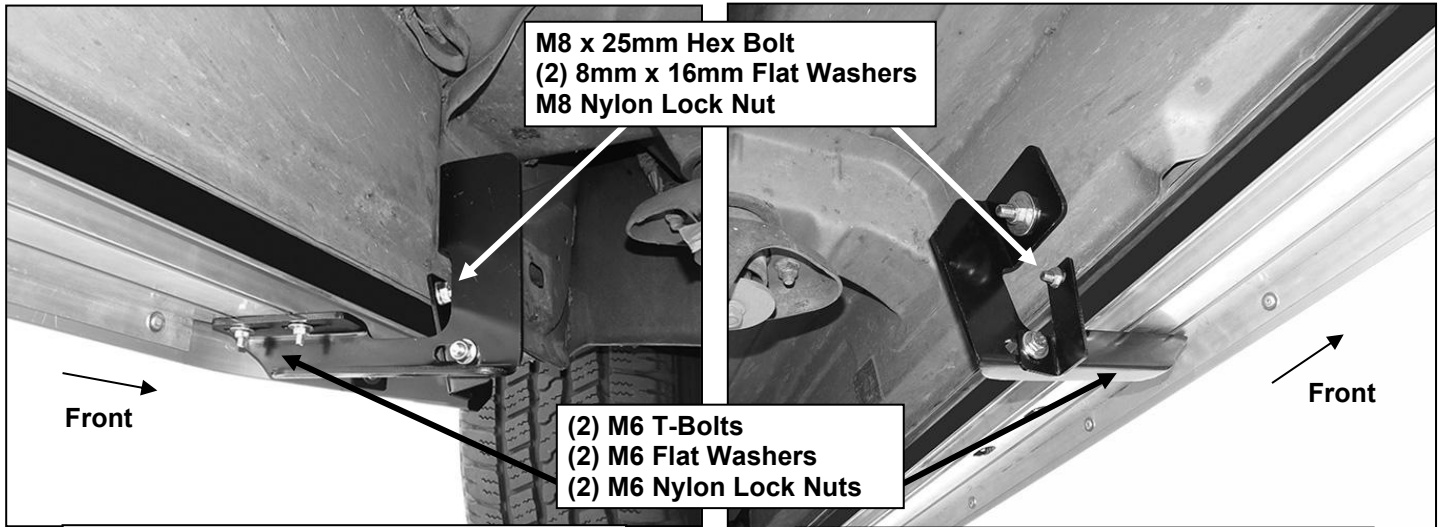


(Fig 11) Driver side rear mounting location

Driver Side Installation Pictured

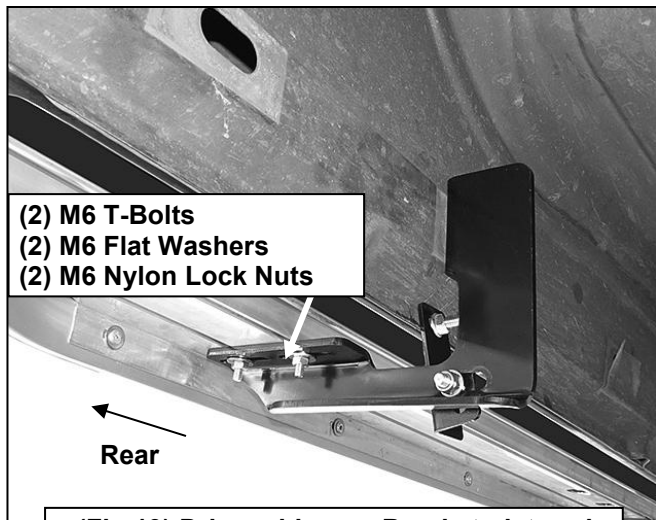


Driver Side Installation Pictured



(Fig 17) Driver side front Bracket pictured

(Fig 18) Driver side center Bracket pictured



(Fig 19) Driver side rear Bracket pictured



Complete Installation