

# Installation Instructions for IB04EAG8

by APS Auto Parts Specialist Inc.

Application: FOR 2009-2018 Dodge Ram 1500 Regular Cab /  
2010-2018 Dodge Ram 2500/3500/4500/5500 Regular Cab

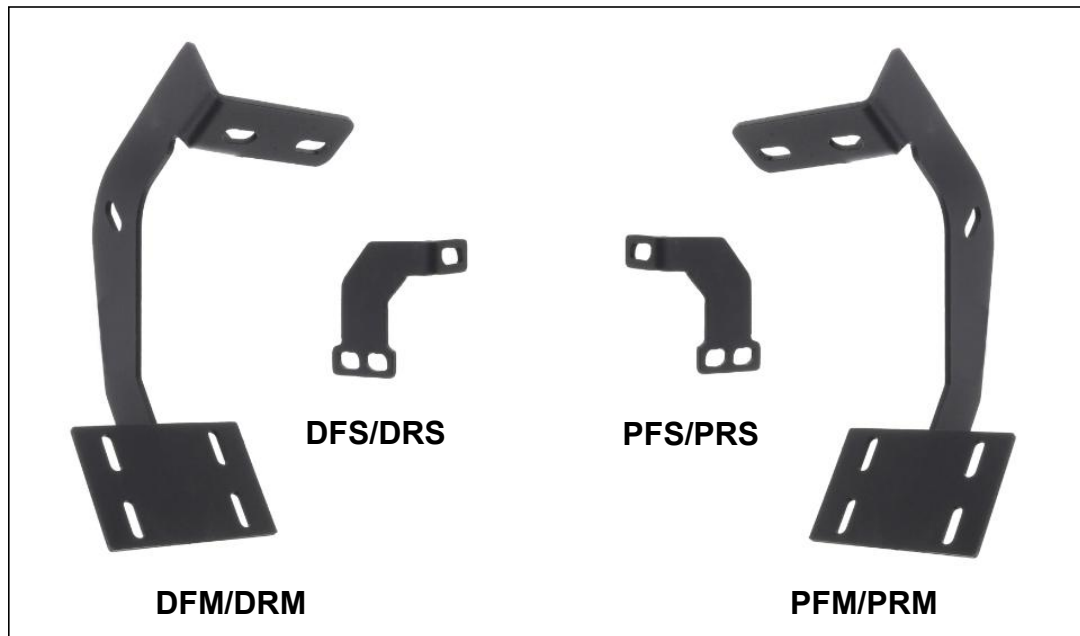
Estimated Time: 1 to 2 hours



Disclaimer: Instructions intended for persons aged 18+ please do not attempt without adult supervision. Instructions are not intended to replace professional installation. Damage from improper installation, misuse or modification to the product voids the manufacturer's warranty.

**PARTS LIST:**

Item	QTY	Description	Item	QTY	Description
#01	2	Running Board(use for left or right)	#09	16	M8 Flat Washers
#02	2	Driver Mounting Brackets(Front/Rear) (DFM/DRM)	#10	8	M8 Lock Washers
#03	2	Passenger Mounting Brackets(Front/Rear) (PFM/PRM)	#11	4	M8 Hex Nuts
#04	2	Driver Support Brackets(Front/Rear) (DFS/DRS)	#12	4	M8 Nylon Lock Nuts
#05	2	Passenger Support Brackets (Front/Rear) (PFS/PRS)	#13	8	M6 Hex Bolts
#06	4	8mm Nut/Bolt Plates	#14	32	M6 Flat Washers
#07	4	8mm Plastic Retainers	#15	24	M6 Nylon Lock Nuts
#08	12	M8X1.25-30 Hex Bolts	#16	16	M6X1-20 T-Bolts



**PROCEDURE:**

1. REMOVE CONTENTS FROM BOX. VERIFY ALL PARTS ARE PRESENT. READ INSTRUCTIONS CAREFULLY BEFORE STARTING INSTALLATION. DRILLING MAY BE REQUIRED.
2. Starting at the driver side-front of the vehicle, remove the sealing tape covering the factory holes in the side of the inner panel, **(Figure 1)**.
3. Determine the correct procedure to attach one driver side Bracket for your model/year:
 

**Models without factory threaded inserts in body panel:**

  - a. Partially thread an 8mm Hex Bolt onto the threaded end of a 8mm Bolt and Nut Plate, **(Figure 2)**. Thread the Hex Bolt in until it is flush with the welded nut, **(Figure 3)**. Use the Hex Bolt as a handle and insert the Bolt and Nut Plate into the oval hole, **(Figure 4)**. Feed the threaded bolt on the Bolt Plate through one of the hex shaped factory holes. Thread (1) 8mm Plastic Retainer onto the threaded end and down tight against the body panel, **(Figure 5)**. **NOTE:** The Plastic Retainer is designed to keep the Bolt/Nut Plate from falling into the body panel and to aid in Bracket installation.
  - b. Select a driver side Mounting Bracket, **(Figure 6)**. Attach the Bracket to the threaded end of the Bolt Plate with (1) 8mm Flat Washer, (1) 8mm Lock washer and (1) 8mm Hex Nut, **(Figure 7)**. Do not tighten at this time.
  - c. Remove the 8mm Hex Bolt from the nut on the Bolt Plate from **Step 3a**. Rotate the Bolt on the Bolt Plate until the threaded nut lines up with the remaining hole in the Mounting Bracket and body panel, **(Figures 7 & 8)**. Attach the Bracket to the threaded Nut Plate with (1) 8mm x 30mm Hex Bolt, (1) 8mm Lock Washer and (1) 8mm Flat Washer, **(Figure 8)**. Do not fully tighten hardware at this time.

**Models with factory threaded inserts:**

- a. Attach the driver side Bracket to the threaded inserts with (2) 8mm x 30mm Hex Bolts, (2) 8mm Lock Washers and (2) 8mm Flat Washer, (**Figures 9 & 10**). Leave hardware loose.
4. Next, select a driver side Support Bracket. Attach the Bracket to the front facing side of the front Bracket with (1) 8mm x 30mm Hex Bolt, (2) 8mm Flat Washers and (1) 8mm Nylon Lock Nut, (**Figure 11**). Rotate the Support Bracket to the back of the pinch weld. Line up the slots in the top of the Support Bracket with the (2) factory holes in the pinch weld. Attach the Bracket to the back of the pinch weld with (2) 6mm x 25mm Hex Bolts, (4) 6mm Flat Washers and (2) 6mm Nylon Lock Nuts, (**Figures 12 & 13**). Do not fully tighten hardware at this time. **IMPORTANT:** 2009-10 models are not equipped with factory holes and will require drilling through the pinch weld to attach the Support Bracket. Do not drill through pinch weld at this time, (**see Step 8**).
5. Move to the rear location, (**Figure 13**). Repeat **Step 3** to install the rear Mounting Bracket, (**Figure 14**).
6. Once all (2) Brackets have been installed, Select a Running Board. Slip (8) M6 T-Bolts into each bottom channel (**Figure 15**). Carefully position the Running Board onto the Mounting Brackets. Attach the Running Board to the Mounting Brackets with (4) M6 T-bolts, (4) M6 flat washers and (4) M6 nylon lock nuts, (**Figure 16**). Do not tighten hardware at this time
7. Properly level and adjust the Running Board and fully tighten all hardware. **NOTE: Torque all M6 nylon lock nuts to 7 lb-ft.**

**2009-10 models requiring drilling for driver side Support Brackets:**

- a. Make sure the Running Board is level to the vehicle. Adjust and tighten all mounting hardware.
  - b. Line up the slots on the Support Brackets with the back of the pinch weld. Mark the location of the slots onto the pinch weld.
  - c. Drill (2) 1/4" holes through the pinch weld for each Support Bracket. **IMPORTANT:** Do not drill too close to the bottom edge of the pinch weld. Adjust the Brackets as necessary to move the slots up the body panel away from the edge. Drill the holes toward the outside of the marked slots.
  - d. Attach each Support Bracket to the pinch weld with (2) 6mm Hex Bolts, (4) 6mm Flat Washers and (2) 6mm Nylon Lock Nuts, (**Figures 12, 13, 16,**). Check for level then fully tighten all hardware.
8. Move to the passenger side of the vehicle. Remove tape covering front, center and rear locations. Repeat **Steps 2—7** for passenger side Mounting Bracket installation. **NOTE:** Refer to the illustration on **Page 1** to identify the correct Mounting Bracket for each of the remaining locations.
  9. Do periodic inspections to the installation to make sure that all hardware is secure and tight.

**To protect your investment**, wax this product after installing. Regular waxing is recommended to add a protective layer over the finish. Do not use any type of polish or wax that may contain abrasives that could damage the finish.

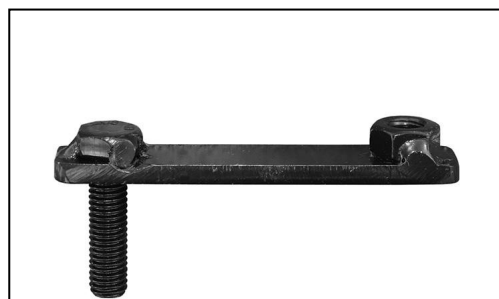
**For Polished Finishes:** Aluminum polish may be used to polish small scratches and scuffs on the finish. Mild soap may be used also to clean the Running Board.

**For black finishes:** Mild soap may be used to clean the Running Board.

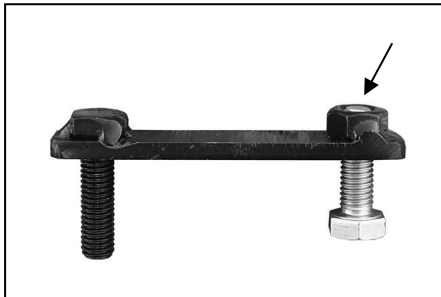
### Driver Side Installation Pictured



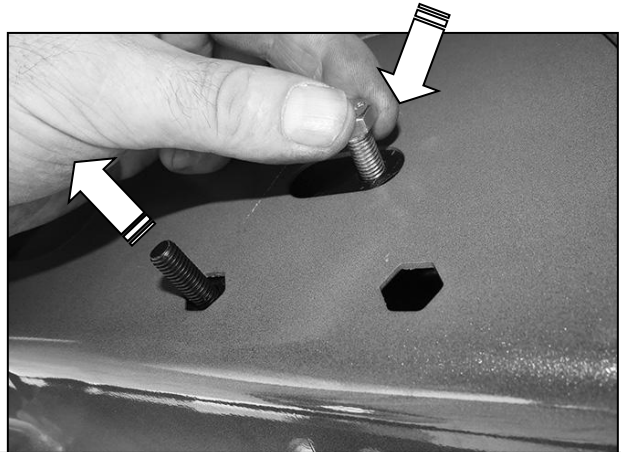
(Fig 1) 2009-mid 2015 Driver/Left front mounting location (No factory holes in pinch weld 2009-2011 models)



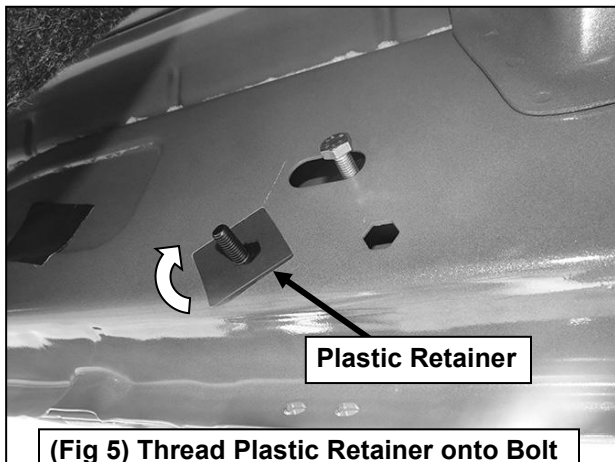
(Fig 2) 8mm Bolt-8mm Nut Plate, NOTE: 8mm Bolt-Nut Plate is not required on models with threaded inserts



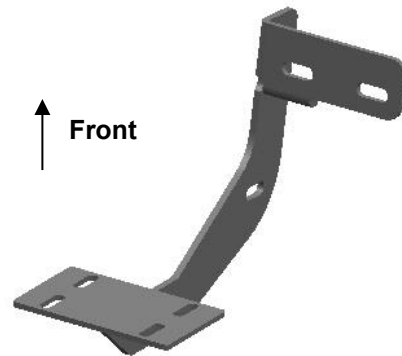
(Fig 3) Thread (1) 8mm Hex Bolt into the nut on the plate. Stop when bolt reaches end of nut as pictured



(Fig 4) Use the loose Hex Bolt as a handle. Insert the Bolt Plate into the oval hole and feed the threaded end out either factory hex shaped hole. **IMPORTANT:** Do not let go of the hex bolt until after Plastic Retainer has been threaded onto bolt (Fig 5)

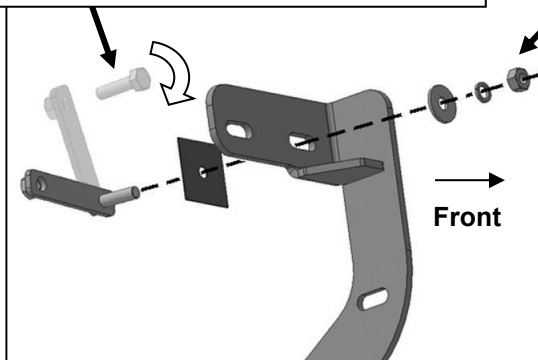


(Fig 5) Thread Plastic Retainer onto Bolt Plate to hold Bolt Plate in position.



(Fig 6) Driver side Bracket

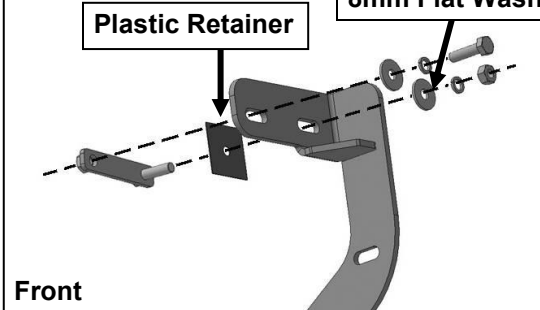
Remove Hex Bolt, rotate Bolt/Nut Plate to line up threaded nut with body panel and Mounting Bracket (see arrow)



(Fig 6A) Attach Bracket to Bolt Plate

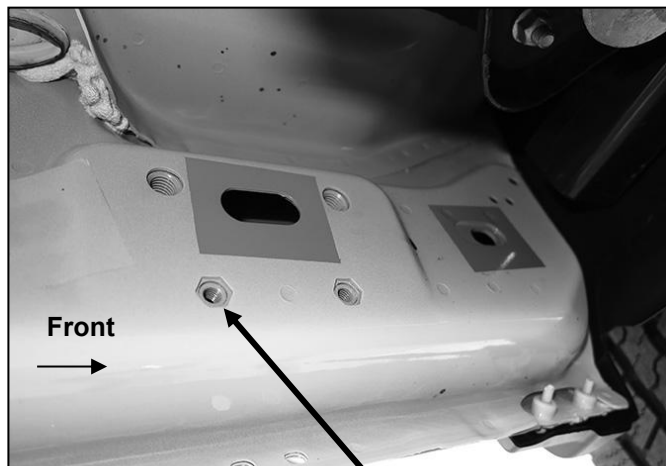
8mm Flat Washer  
 8mm Lock Washer  
 8mm Hex Nut

8mm Hex Bolt  
 8mm Lock Washer  
 8mm Flat Washer



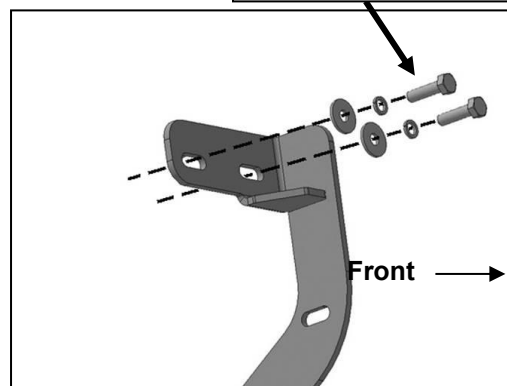
Front

(Fig 6B) Attach Bracket to threaded end of Bolt Plate first. Remove 8mm Hex Bolt (see Fig 3). Rotate Bolt Plate to line up with remaining factory hex shaped hole.



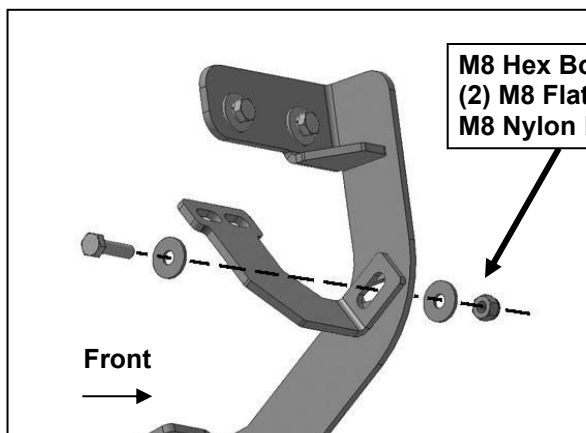
(Fig 7) Driver side front mid 2015-on, an example of models with factory installed threaded inserts

- (2) M8 Hex Bolts
- (2) M8 Lock Washers
- (2) M8 Flat Washers



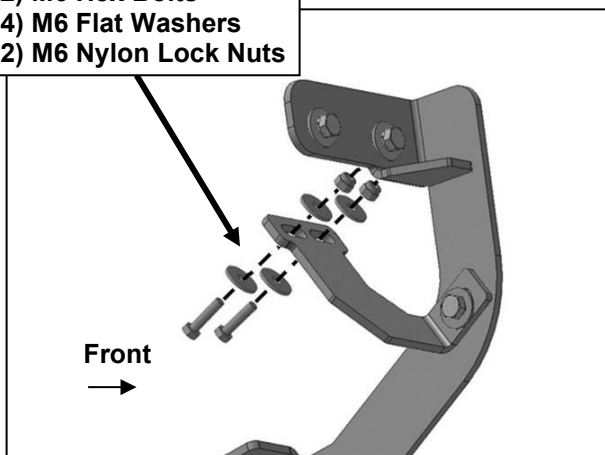
(Fig 8) Driver side front models with factory installed threaded inserts. Bolt Plate not required

- M8 Hex Bolt
- (2) M8 Flat Washers
- M8 Nylon Lock Nut



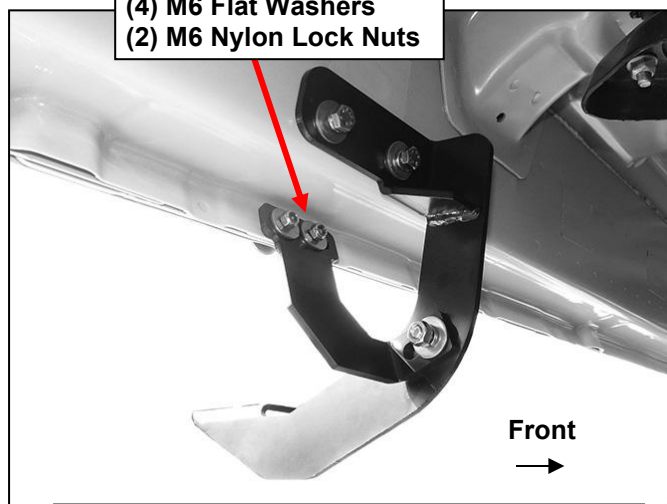
(Fig 9) Attach Driver/Left front Support Bracket to front facing side of Mounting Bracket

- (2) M6 Hex Bolts
- (4) M6 Flat Washers
- (2) M6 Nylon Lock Nuts

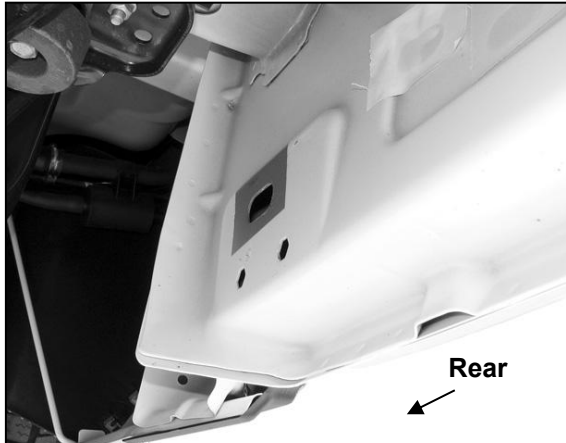


(Fig 10) Attach Support Bracket to back of pinch weld (models with factory holes in pinch weld only)

- (2) M6 Hex Bolts
- (4) M6 Flat Washers
- (2) M6 Nylon Lock Nuts



(Fig 11) Driver side front Bracket assembly



(Fig 13) Driver/Left rear mounting location



(Fig 14) Driver/Left rear Mounting Bracket assembly



(Fig 15) Slip 6mm T-bolts into the bottom channel

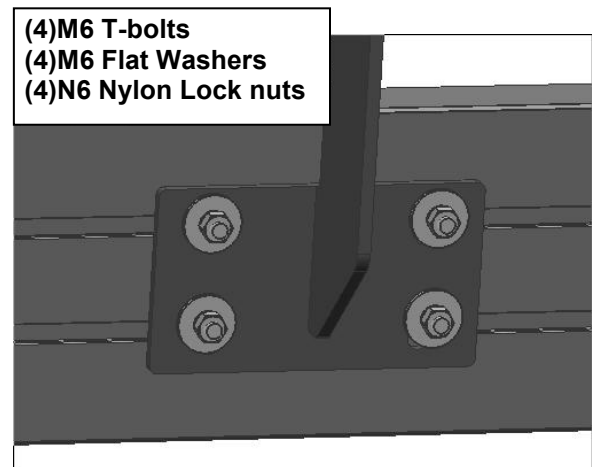


Fig 16 Bracket Installation