

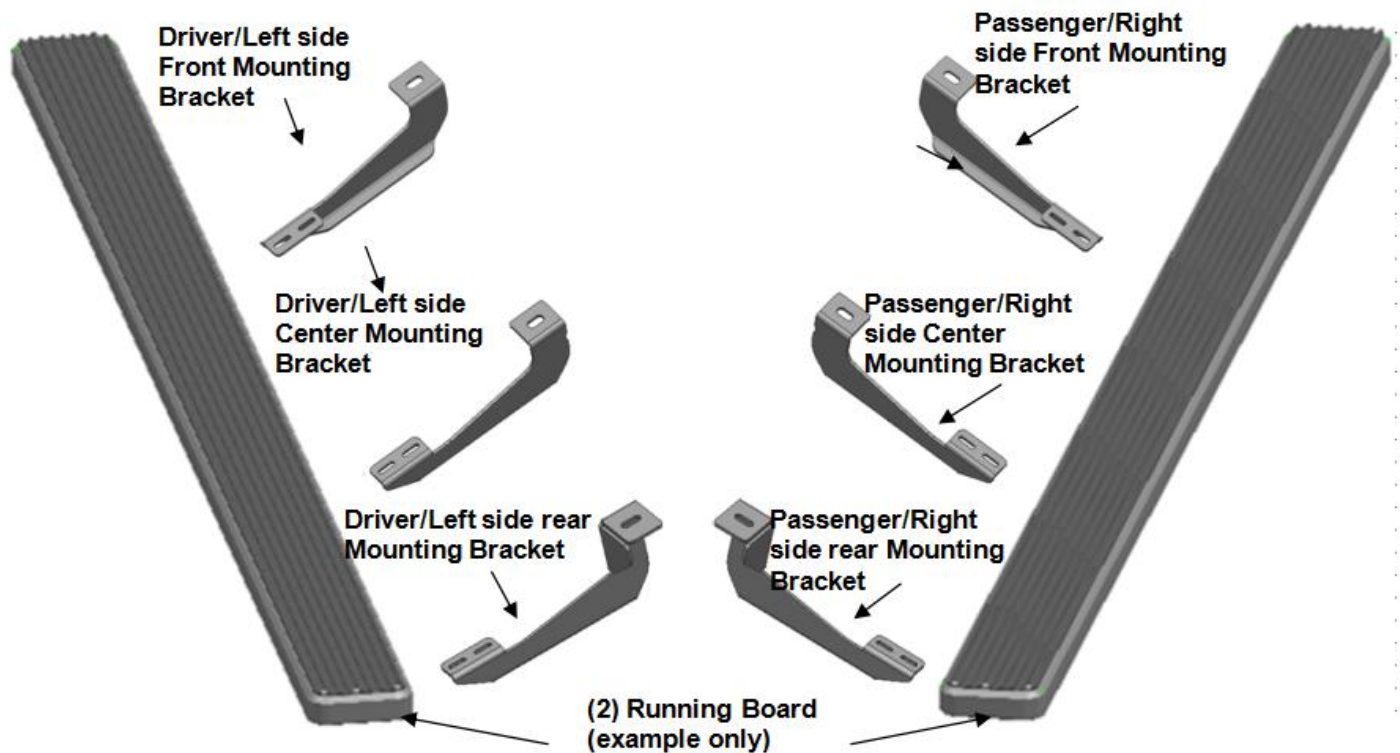
iRunning Board Installation Instruction

Application: FOR 2005-2011 Dodge Dakota Quad Cab

Rev:20181201

PARTS LIST:

Item	Qty	Description	Item	Qty	Description
#1	2	Running Board(use for left or right)	#8	6	M12X1.75 - 120mm Hex Bolts
#2	1	Driver Front Mounting Brackets (DFM)	#9	6	M12 Lock Washers
#3	1	Passenger Front Mounting Brackets (PFM)	#10	6	M12 Flat Washers
#4	1	Driver Center Mounting Brackets (DCM)	#11	12	M6X1.0 - 20mm T-Bolts
#5	1	Passenger Center Mounting Brackets (PCM)	#12	12	M6 Flat Washers
#6	1	Driver/Left Rear Mounting Bracket (DRM)	#13	12	M6 Nylon Lock Nuts
#7	1	Passenger/Right Rear Mounting Bracket (PRM)			



PROCEDURE:

1. REMOVE CONTENTS FROM BOX. VERIFY ALL PARTS ARE PRESENT. READ INSTRUCTIONS CAREFULLY BEFORE STARTING INSTALLATION.
2. Remove the passenger front body mount bolt. Select (1) the passenger front Mounting Bracket bolt it into position against the body mount with the included M12 x 120mm Hex Bolt, M12 Lock Washer and M12 flat washer. Snug but do not tighten hardware at this time.
3. Next, install the passenger Center Mounting Bracket as previously described but leave the hardware loose at this time.
4. Repeat **Step 2** to install the passenger Rear Mounting Bracket. Snug but do not tighten hardware at this time.
5. Select a Running Board. Slip(6)M6 T-bolts into each bottom channel(**Figure 2**). Carefully position the Running Board onto the (3) Mounting Brackets. **IMPORTANT:** Do not slide, (front to back), the Running Board onto the Brackets or damage to the finish may result. Attach the Running Board to the Mounting Brackets with(2) M6 T-bolts,(2)M6 flat washers and (2)M6 nylon lock nuts (**Figures 3**). Do not tighten at this time.
6. Level and adjust the Running Board and tighten all hardware. **NOTE: Torque all M6 nylon lock nuts to 7 lb-ft.**

iRunning Board Installation Instruction

Application: FOR 2005-2011 Dodge Dakota Quad Cab

Rev:20181201

7. Repeat **Steps 2 - 6** for driver Running Board installation.

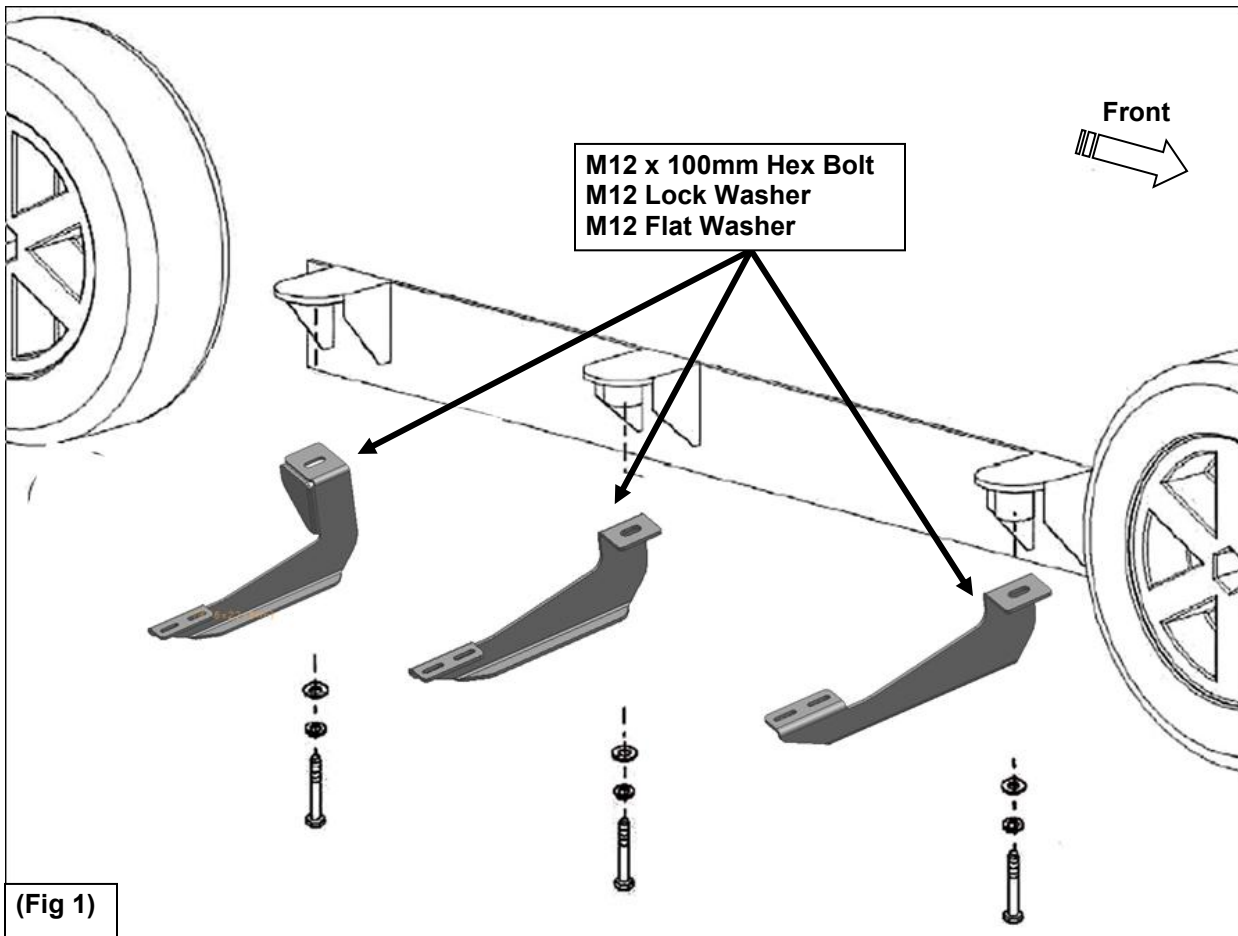
8. Do periodic inspections to the installation to make sure that all hardware is secure and tight.

To protect your investment, wax this product after installing. Regular waxing is recommended to add a protective layer over the finish. Do not use any type of polish or wax that may contain abrasives that could damage the finish.

For Polished Finishes: Aluminum polish may be used to polish small scratches and scuffs on the finish. Mild soap may be used also to clean the Running Board.

For Black Finishes: Mild soap may be used to clean the Running Board.

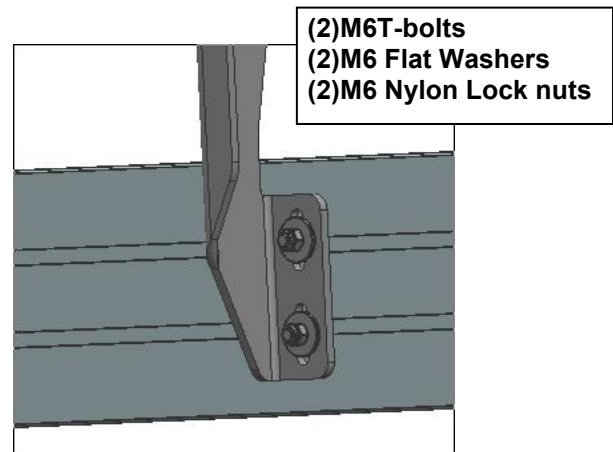
Passenger Side Installation Pictured



(Fig 1)



(Fig 2) Slip M6 T-bolts into the bottom channel



(2)M6T-bolts
(2)M6 Flat Washers
(2)M6 Nylon Lock nuts

(Fig 3) Bracket installation