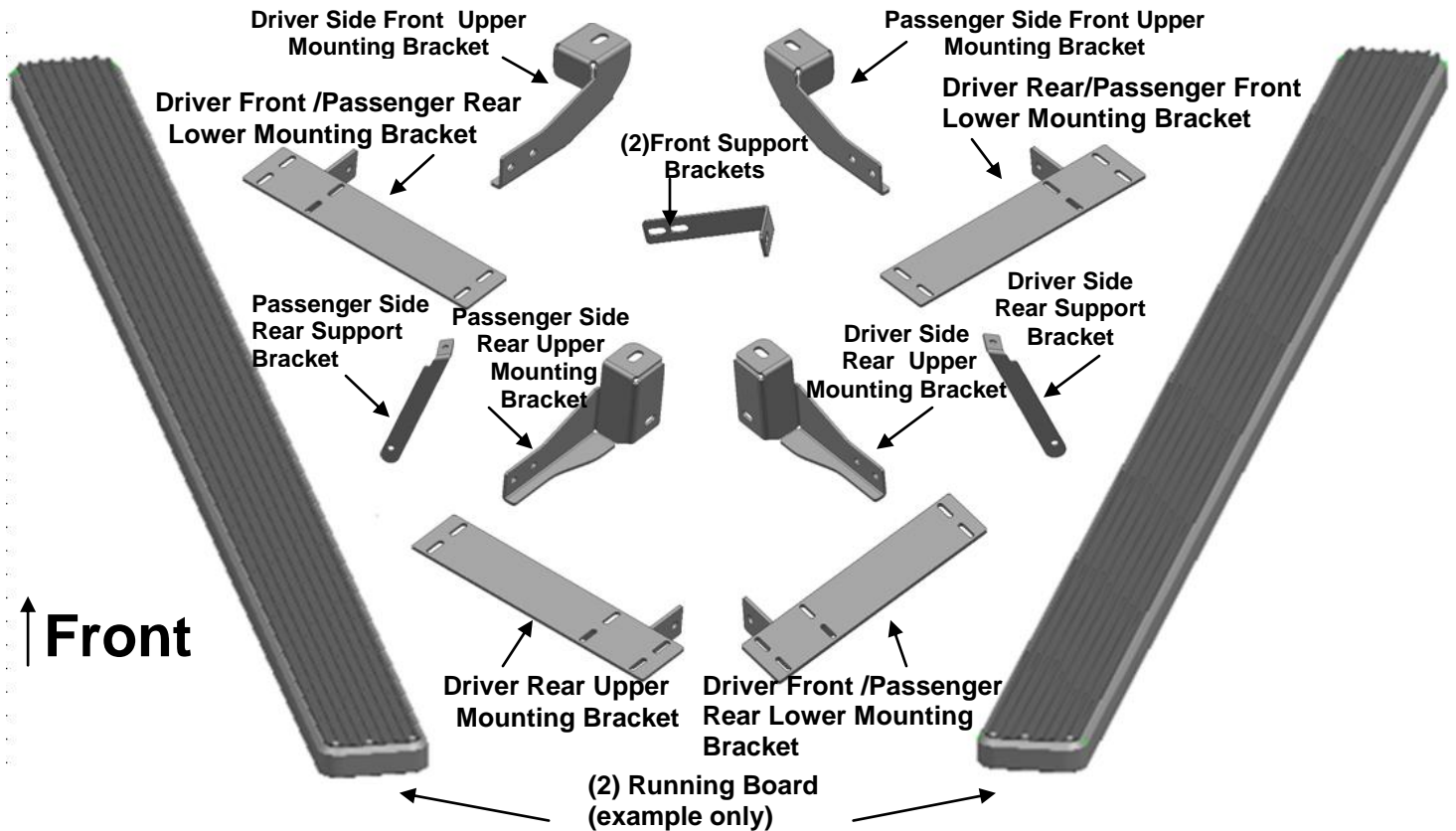


PARTS LIST:

Item	Qty	Description	Item	Qty	Description
#1	2	Running Board(use for left or right)	#13	14	10mm Lock Washers
#2	1	Driver Front Upper Bracket	#14	14	10mm Hex Nuts
#3	1	Passenger Front Upper Bracket	#15	2	12-1.75mm x 100mm Hex Head Bolts
#4	1	Driver Rear Upper Bracket	#16	4	12mm ID x 37mm OD x 3mm Flat Washers
#5	1	Passenger Rear Upper Bracket	#17	2	12mm Nylock Nuts
#6	2	Driver Front/Passenger Rear Lower Brackets	#18	2	8-1.25mm x 25mm Hex Head Bolts
#7	2	Driver Rear/Passenger Front Lower Brackets	#19	2	8mm Nylock Nuts
#8	2	Front Support Brackets	#20	4	8mm ID x 24mm OD x 2mm Flat Washers
#9	1	Driver/Left Rear Support Bracket	#21	2	6-1.00mm x 30mm Hex Head Bolts
#10	1	Passenger/Right Rear Support Bracket	#22	24	6-1.0mm x 20mm T-Bolts
#11	14	10-1.50mm x 30mm Hex Head Bolts	#23	26	6mm Nylock Nuts
#12	28	10mm ID x 24mm OD x 2.2mm Flat Washers	#24	28	6mm x 22mm OD x 2mm Flat Washers



PROCEDURE:

- 1. REMOVE CONTENTS FROM BOX. VERIFY ALL PARTS ARE PRESENT. READ INSTRUCTIONS CAREFULLY BEFORE STARTING INSTALLATION.**
- Remove the passenger front body mount bolt. Locate passenger side front Upper Mounting Bracket and partially hang it to body mount using the factory bolt **(Figure 1&3)**.
- Locate (1) Front Support Bracket and attach it to already installed front Mounting Bracket using (2) 10mm x 30mm Hex Head Bolts, (2) 10mm Lock Washers, (4) 10mm Flat Washers and (2)10mm Hex Nuts **(Figure 2&3)**. Attach opposite side of Support Bracket to smaller factory

hole in the frame using (1) 12mm x 100mm Hex Head Bolt, (1) 12mm Nylock Nuts, (2) 12mm Flat Washers (**Figure 3 & 4 & 5**). Do not tighten at this time.

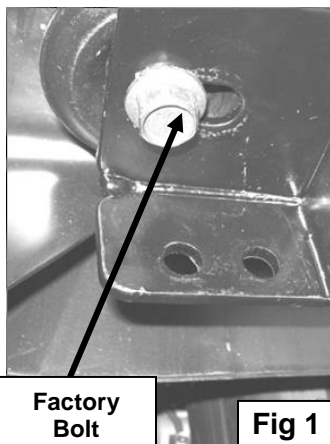
4. Select a Passenger front lower bracket, attach to the Passenger front upper bracket with (2)10mmx30 Hex bolts,(4)10mm flat washers,(2)10mm lock washers and (2)10mm Hex nuts. (**Figure 3**) Do not tighten at this time. **NOTE:THE PASSENGER FRONT LOWER BRACKET AND THE DRIVER REAR LOWER BRACKET ARE UNIVERSAL.**
5. Move toward the rear of the vehicle. Remove the passenger rear body mount bolt. Locate passenger side rear upper mounting Bracket and partially hang it to body mount using the factory bolt (**Figure 6**).
6. Locate (1) Rear Support Bracket and attach it to already installed rear Mounting Bracket using the included (1) 10mm x 30mm Hex Head Bolts, (1) 10mm Hex Nut, and (2) 10mm Flat Washers,(1)10mm Lock Washer. Attach opposite side of Support Bracket to the factory hole on the inner side of body mount cavity and closer to the frame using (1) 8mm x 25mm Hex Head Bolt, (1) 8mm Nylock Nut, and (2) 8mm Flat Washers (**Figure 7&8**). Do not tighten at this time.
7. Repeat **Steps 4** for passenger rear lower bracket installation. **NOTE:THE PASSENGER REAR LOWER BRACKET AND THE DRIVER FRONT LOWER BRACKET ARE UNIVERSAL.**
8. Select a Running Board. Slip(12) 6mm T-bolts into each bottom channel(**Figure 9**). Carefully position the Running Board onto the (2) Mounting Brackets. **IMPORTANT:** Do not slide, (front to back), the Running Board on the Brackets or damage to the finish may result. Attach the Running Board to the Mounting Brackets with(6) 6mm T-bolts,(6)6mm flat washers and (6)6mm lock nuts (**Figures 10**). Do not tighten at this time.
9. Level and adjust the Running Board and tighten all hardware.
- 10.Repeat **Steps 2 - 8** for driver Running Board installation.
- 11.Do periodic inspections to the installation to make sure that all hardware is secure and tight.

To protect your investment, wax this product after installing. Regular waxing is recommended to add a protective layer over the finish. Do not use any type of polish or wax that may contain abrasives that could damage the finish.

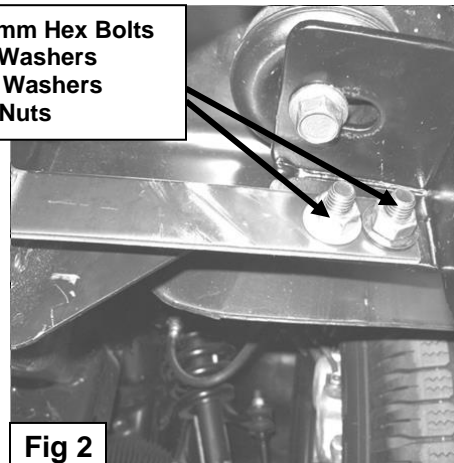
For Polished Finishes: Aluminum polish may be used to polish small scratches and scuffs on the finish. Mild soap may be used also to clean the Running Board.

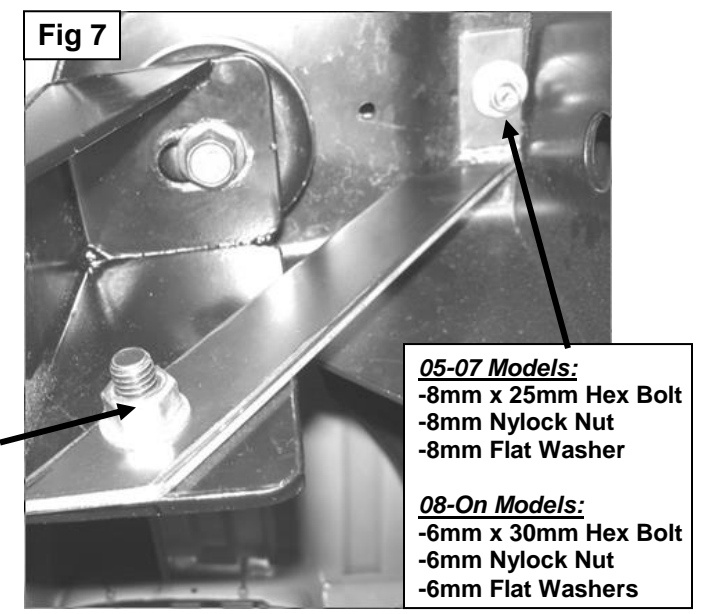
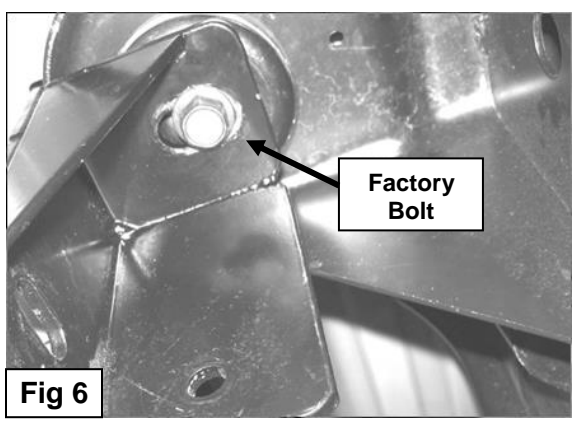
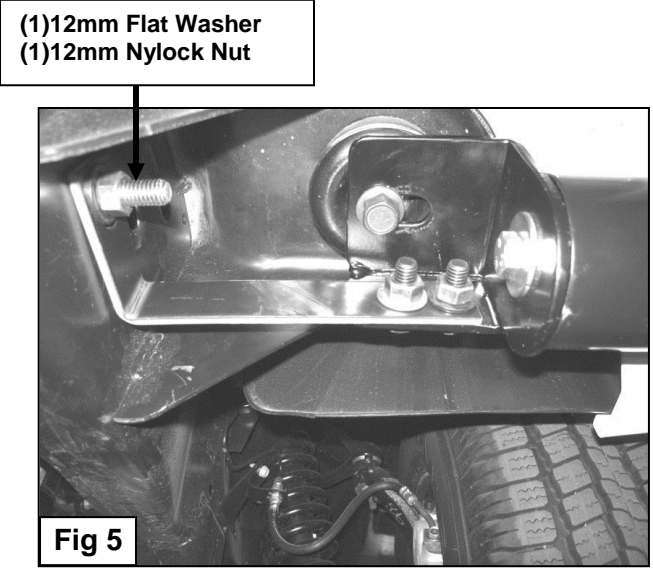
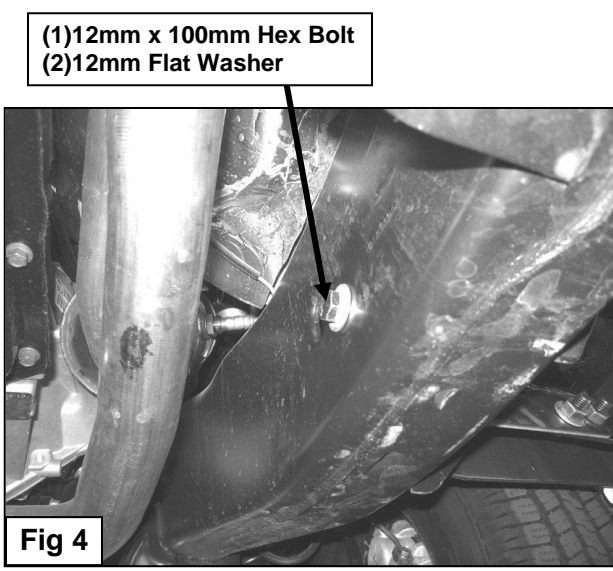
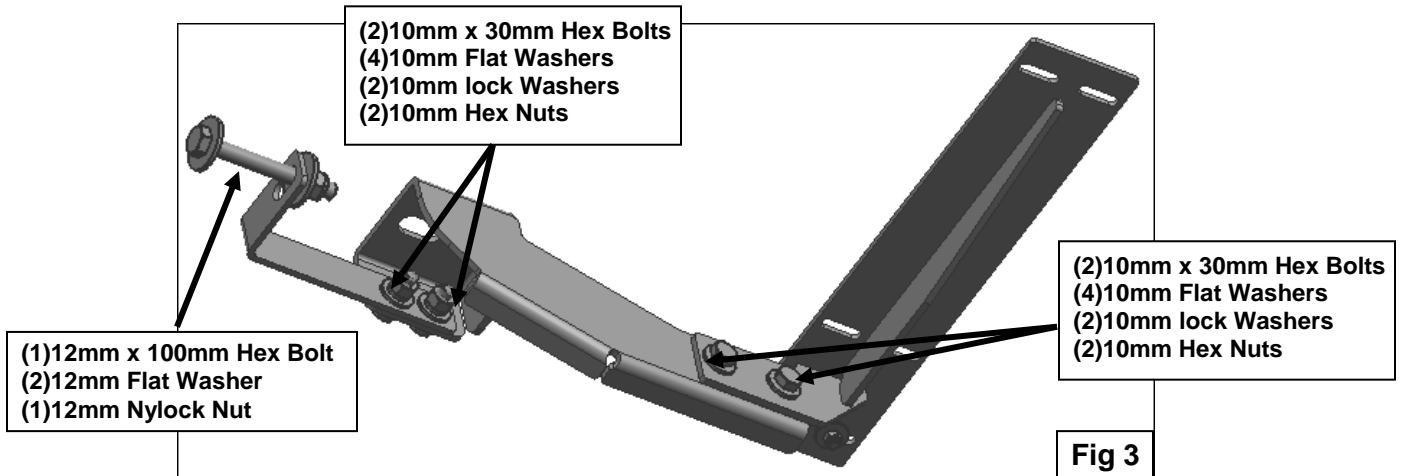
For Black Finishes: Mild soap may be used to clean the Running Board.

(Passenger Side Front Mounting Bracket Installation Shown)

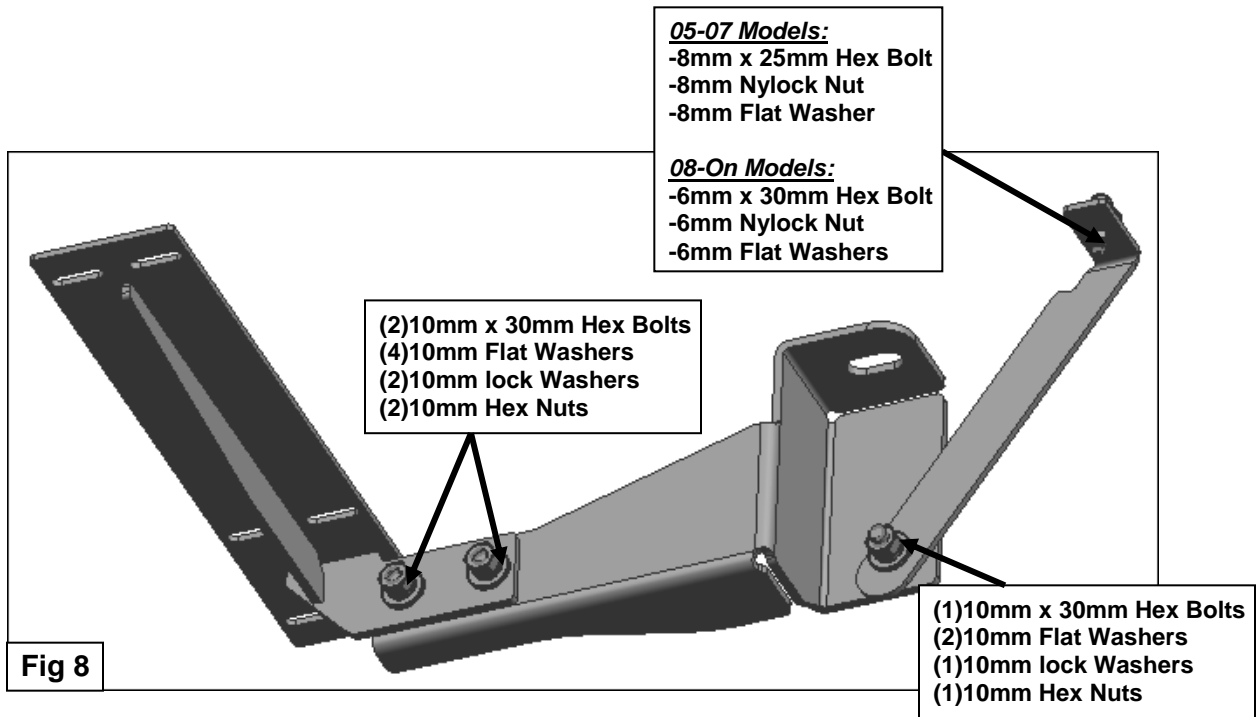


(2)10mm x 30mm Hex Bolts
(4)10mm Flat Washers
(2)10mm lock Washers
(2)10mm Hex Nuts





- (1)10mm x 30mm Hex Bolts
 (2)10mm Flat Washers
 (1)10mm lock Washers
 (1)10mm Hex Nuts



(Fig 9) Slip 6mm T-bolts into the bottom channel

