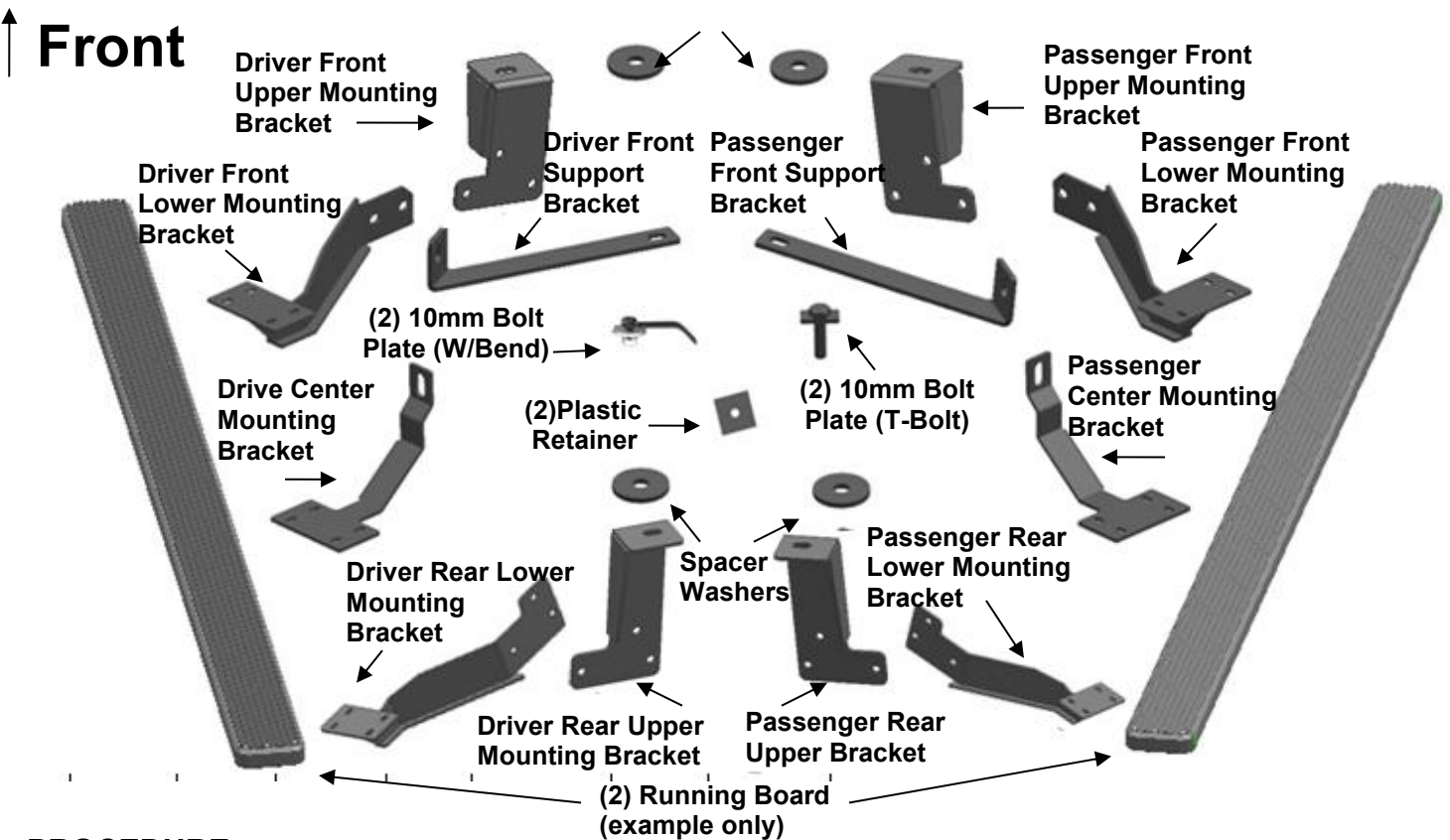


**PARTS LIST:**

Item	QTY	Description	Item	QTY	Description
#1	2	Running Board(use for left or right)	#14	2	10-1.50mm x 25mm Bolt Plates(w/ Bend)
#2	1	Driver/Left Front Upper Mounting Bracket	#15	2	10-1.50mm x 40mm Bolt Plates (T-Bolt)
#3	1	Driver/Left Front Lower Mounting Bracket	#16	2	10mm Plastic Retainers
#4	1	Driver/Left Front Support Bracket	#17	4	12-1.75mm x 120mm Hex Bolts
#5	1	Driver/Left Center Mounting Bracket	#18	8	12mm Fender Washers
#6	1	Driver/Left Rear Upper Mounting Bracket	#19	4	12mm Lock Washers
#7	1	Driver/Left Rear Lower Mounting Bracket	#20	12	10-1.50mm x 30mm Hex Bolts
#8	1	Passenger/Right Front Upper Mounting Bracket	#21	28	10mm Flat Washers
#9	1	Passenger/Right Front Lower Mounting Bracket	#22	16	10mm Lock Washers
#10	1	Passenger/Right Front Support Bracket	#23	16	10mm Hex Nuts
#11	1	Passenger/Right Center Mounting Bracket	#24	24	6-1.0mm x 20mm T-Bolts
#12	1	Passenger/Right Rear Upper Mounting Bracket	#25	24	6mm x 22mm OD x 2mm Flat Washers
#13	1	Passenger/Right Rear Lower Mounting Bracket	#26	24	6mm Lock Nuts



**PROCEDURE:**

1. REMOVE CONTENTS FROM BOX. VERIFY ALL PARTS ARE PRESENT. READ INSTRUCTIONS CAREFULLY BEFORE STARTING INSTALLATION. ASSISTANCE IS RECOMMENDED.
2. Starting toward the front of the passenger side .Remove the passenger side front body mount bolts.
3. Select the passenger Front Upper Mounting Bracket. Insert (1) 12mm x 120mm Hex Bolt with (1) 12mm Flat Washer and (1) 12mm Lock Washer through the Mounting Bracket. Place (1) Spacer Washer, **(Figure 1A)**, onto the Bolt then slide the rubber bushing onto the Hex Bolt against the Washer. Make sure that the Spacer Washer is between the Bracket and the factory rubber bushing, **(Figure 1B)**.
4. Hold the Bracket and hardware up in place and attach to the factory body mount. Do not tighten hardware at this time. **IMPORTANT:** Depending on model year, the large washer on the factory body mount bolt may be removable, (do not discard-must reinstall), and the bolt is long enough to go through

the Mounting Bracket and properly thread into the body mount. It is the installer's responsibility to check length and to determine whether to reuse the factory body bolt or the included replacement 12mm x 120mm Hex Bolt.

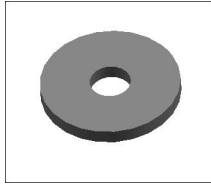
5. Insert one of the 10mm T-Bolt Plates into the slotted hole in the bottom of frame rail located near the front body mount, **(Figure 2)**.
6. Select the passenger side front Support Bracket and hang it from the T-Bolt Plate with the included (1) 10mm Flat Washer, (1) 10mm Lock Washer and (1) 10mm Hex Nut. Do not tighten hardware at this time **(Figure 3)**.
7. Attach the opposite end of the Support Bracket to the mounting hole on the side of the front Upper Mounting Bracket using the included (1) 10mm x 30mm Hex Bolt, (2) 10mm Flat Washer, (1) 10mm Lock Washer and (1) 10mm Hex Nut, **(Figure 4)**. Do not tighten hardware at this time.
8. Select the passenger Front Lower Bracket and attach the bracket to the passenger Front Upper Bracket with (2) 10mmx30 Hex bolt, (4) 10mm Flat Washer, (2) 10mm Lock Washer and (2) 10mm Hex Nut, **(Figure 4)**. Snug but do not tighten hardware at this time.
9. Move to the passenger side center location, Locate the holes in the side panel (remove sealing tape as necessary) for the Passenger Center Mounting Bracket, (typically one slot and two round holes). Insert one of the 10mm Bolt Plates w/ bend into the slotted hole and exit through the round hole, **(Figure 5)**. Thread (1) 10mm Plastic Retainer onto the threaded end of the Bolt Plate to prevent it from falling back into the body panel, **(Figure 6)**. **NOTE:** Some vehicles may have several holes in the side panel. To determine the correct mounting location, position the Passenger Center Mounting Bracket up and attach to the threaded insert**(Figure 7)**, Snug but do not tighten hardware at this time.
10. Move to the passenger rear body mount at the back of the cab. Select the passenger side rear Upper Mounting Bracket and (1) Spacer Washer. Repeat **Steps 2—4** for rear Upper Mounting Bracket installation, **(Figure 8)**.
11. Select the passenger Rear Lower Bracket ,Repeat **Steps 8** for Rear Lower Mounting Bracket installation **(Figure 8)**,Snug but do not tighten hardware at this time.
12. Select the Running Board. Slip (12) 6mm T-Bolts into each bottom channel **(Figure 9)**. Carefully position the Running Board onto the (3) Mounting Brackets. **IMPORTANT:** Do not slide the Running Board on the Brackets or damage to the finish may result. Attach the Running Board to the Mounting Brackets with (4) 6mm T-bolts,(4)6mm flat washers and (4)6mm lock nuts **(Figure 10)**. Do not tighten hardware.
13. Properly level and adjust the Running Board and tighten all hardware at this time.
14. Repeat **Steps 2—13** for the driver/left Running Board installation.
15. Do periodic inspections to the installation to make sure that all hardware is secure and tight.

**To protect your investment**, wax this product after installing. Regular waxing is recommended to add a protective layer over the finish. Do not use any type of polish or wax that may contain abrasives that could damage the finish.

**For Polished Finishes:** Aluminum polish may be used to polish small scratches and scuffs on the finish. Mild soap may be used also to clean the Running Board.

**For Black Finishes:** Mild soap may be used to clean the Running Board.

**Passenger Side Installation Pictured**

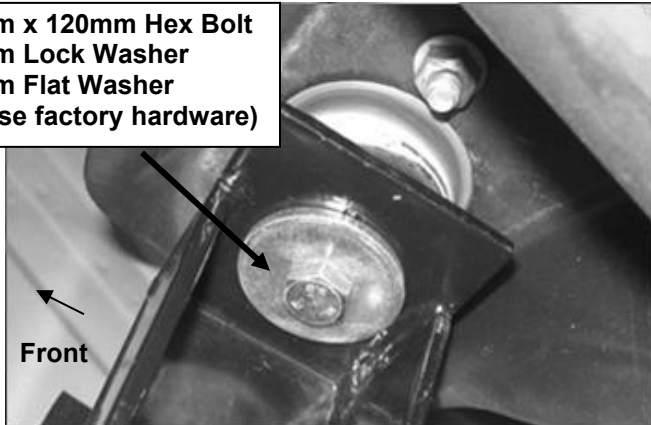


**(Fig 1A) Spacer Washer**

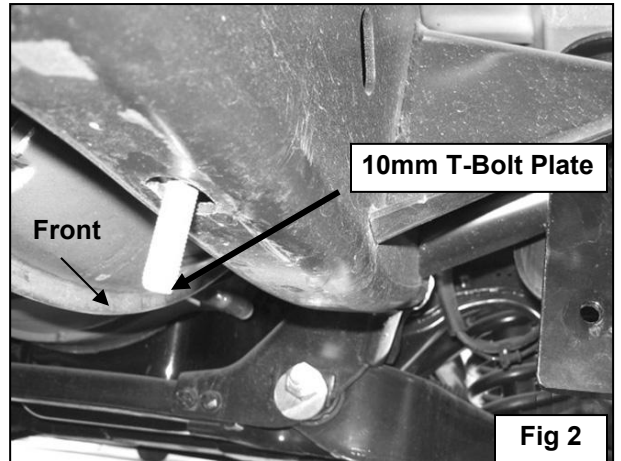


**(Fig 1B) example only**

12mm x 120mm Hex Bolt  
 12mm Lock Washer  
 12mm Flat Washer  
 (or use factory hardware)

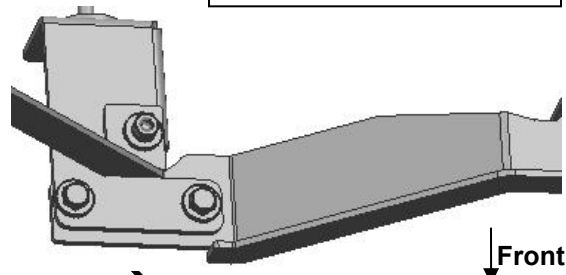


**Fig 1C(example only)**



**Fig 2**

10mm x 30mm Hex Bolt  
 10mm Lock Washer  
 (2)10mm Flat Washer  
 10mm Hex Nut



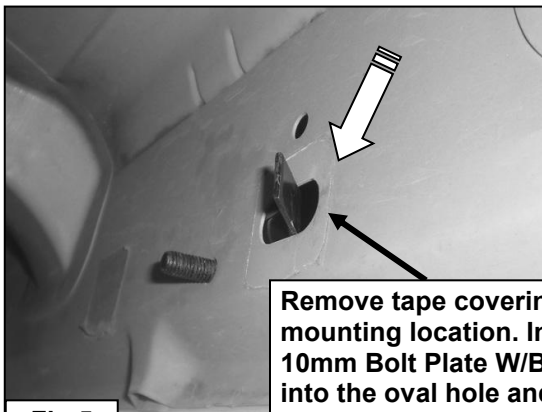
**Fig 4**

(2)10mm x 30mm Hex Bolt  
 (2)10mm Lock Washer  
 (4)10mm Flat Washer  
 (2)10mm Hex Nut



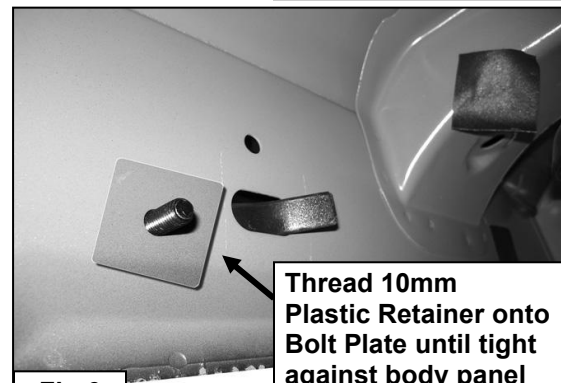
**Fig 3**

10mm T-Bolt Plate  
 10mm large Lock Washer  
 10mm Flat Washer  
 10mm Hex Nut



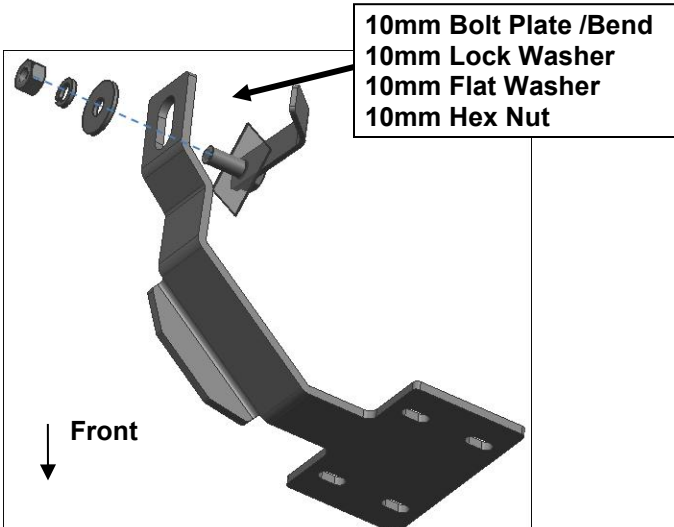
**Fig 5**

Remove tape covering mounting location. Insert 10mm Bolt Plate W/Bend into the oval hole and out the round hole

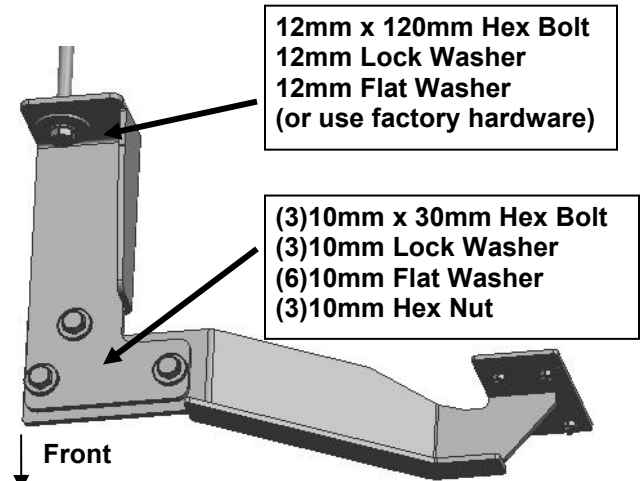


**Fig 6**

Thread 10mm Plastic Retainer onto Bolt Plate until tight against body panel



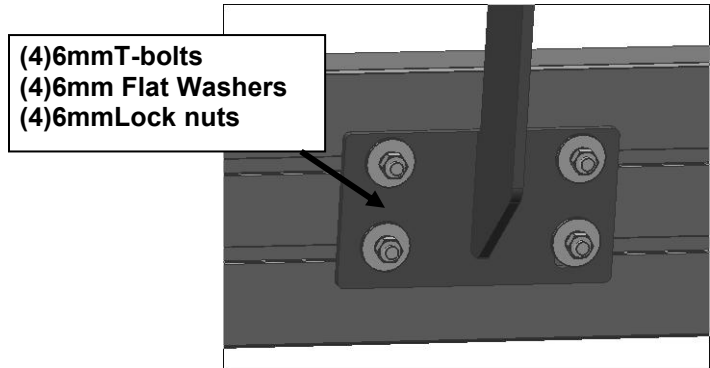
(Fig 7) Passenger center bracket Installation



(Fig 8) Passenger rear bracket Installation



(Fig 9) Slip 6mm T-bolts into the bottom channel



(Fig 10) Bracket Installation



Complete Installation