

# iRunning Board Installation Instruction

**Application:** 2005-2016 Chevy Tahoe 4-Door (Excl. Z71 & Hybrid)  
2005-2016 GMC Yukon 4-Door (Excl. Z71 & Hybrid)  
2002-2006 Chevy Avalanche (w/Cladding)

REV: 20170601

Item	Part Name	QTY	Item	Part Name	QTY
1.2	Step boards, Passenger(1),Driver(2)	2	7	M8 Lock Washers	16
3	Mounting Bracket	8	8	M6 Square Hex Bolt	16
4	M8X1.25-20mm Hex Bolt	16	9	M6 Nylon Lock Nuts	16
5	M8 Hex Nuts	12	10	M6 Flat Washers	16
6	M8 Flat Washers	16			



Mounting Bracket

**NOTE: All Brackets are universal and will fit both side of the vehicle!**

Step	Description
1	Verify all parts are present. Read instructions completely before beginning.
2	Attach mounting brackets as shown <b>SEE FIG 1.</b>
3	Insert square head bolts as shown (4 per slot,8 per board). <b>SEE FIG 2.</b>
4	Attach board to brackets as shown <b>.SEE FIG 3.</b> Make sure board and brackets are properly aligned and tighten fasteners.
5	<b>INSTALLATION IS COMPLETE.</b>

**FINISH PROTECTION:**

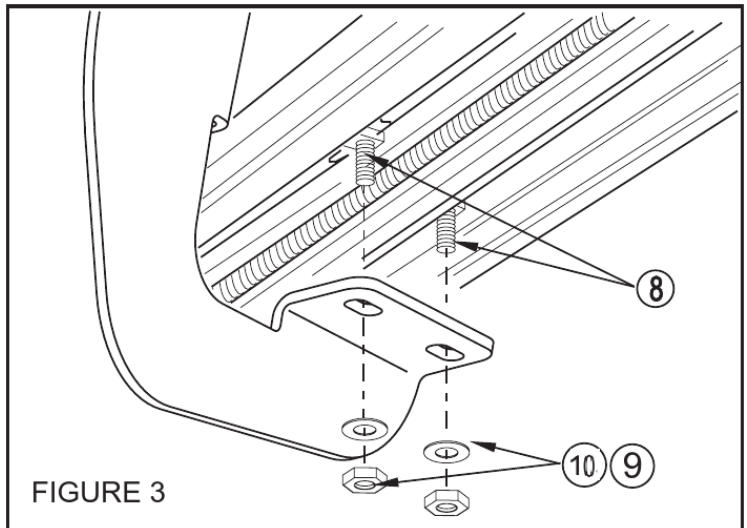
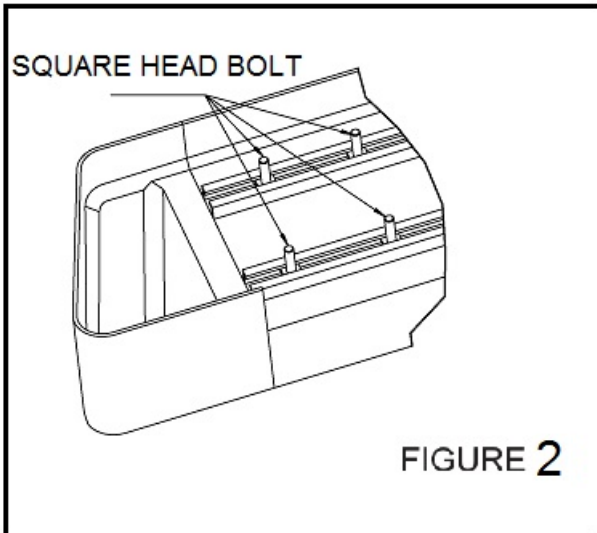
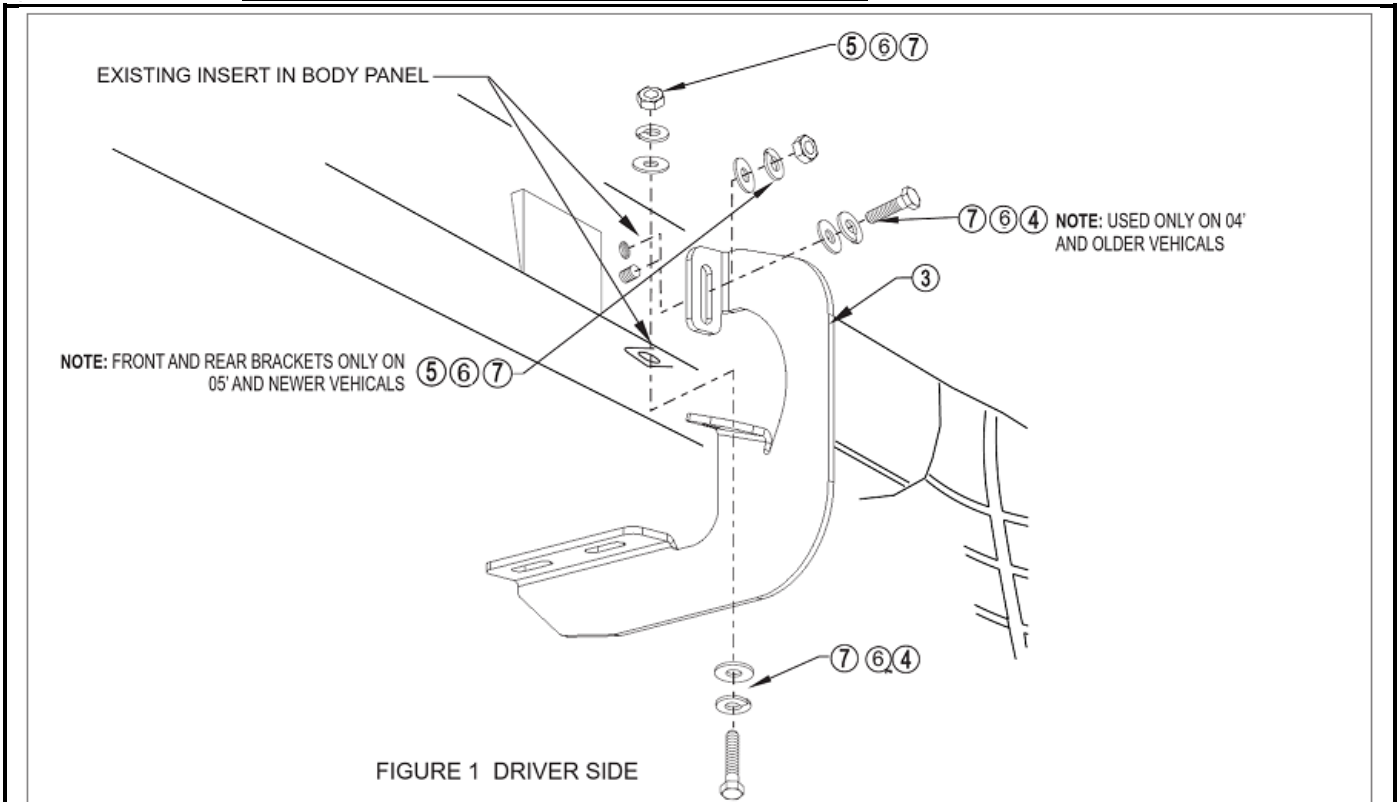
Products have a high quality finish that must be cared for like any other exposed finish on the vehicle. Protect the finish with a non-abrasive automotive wax, (e.g.Pure Carnauba) on a regular basis. The use of any soap, polish or wax that contains an abrasive is detrimental, as the compounds scratch the finish and open it to corrosion.

The instruction here is for your reference only. We strongly recommend the professional installer for best result. We are not responsible for any damage caused by the installation. Thank you for choosing our product!

# iRunning Board Installation Instruction

Application: 2005-2016 Chevy Tahoe 4-Door (Excl. Z71 & Hybrid)  
2005-2016 GMC Yukon 4-Door (Excl. Z71 & Hybrid)  
2002-2006 Chevy Avalanche (w/Cladding)

REV: 20170601



**\*Pictures are for reference only, actual bars may be a little different.**

The instruction here is for your reference only. We strongly recommend the professional installer for best result. We are not responsible for any damage caused by the installation. Thank you for choosing our product!

## iRunning Board Installation Instruction

Application: 2005-2016 Chevy Tahoe 4-Door (Excl. Z71 & Hybrid)  
2005-2016 GMC Yukon 4-Door (Excl. Z71 & Hybrid)  
2002-2006 Chevy Avalanche (w/Cladding)

REV: 20170601



The instruction here is for your reference only. We strongly recommend the professional installer for best result. We are not responsible for any damage caused by the installation. Thank you for choosing our product!