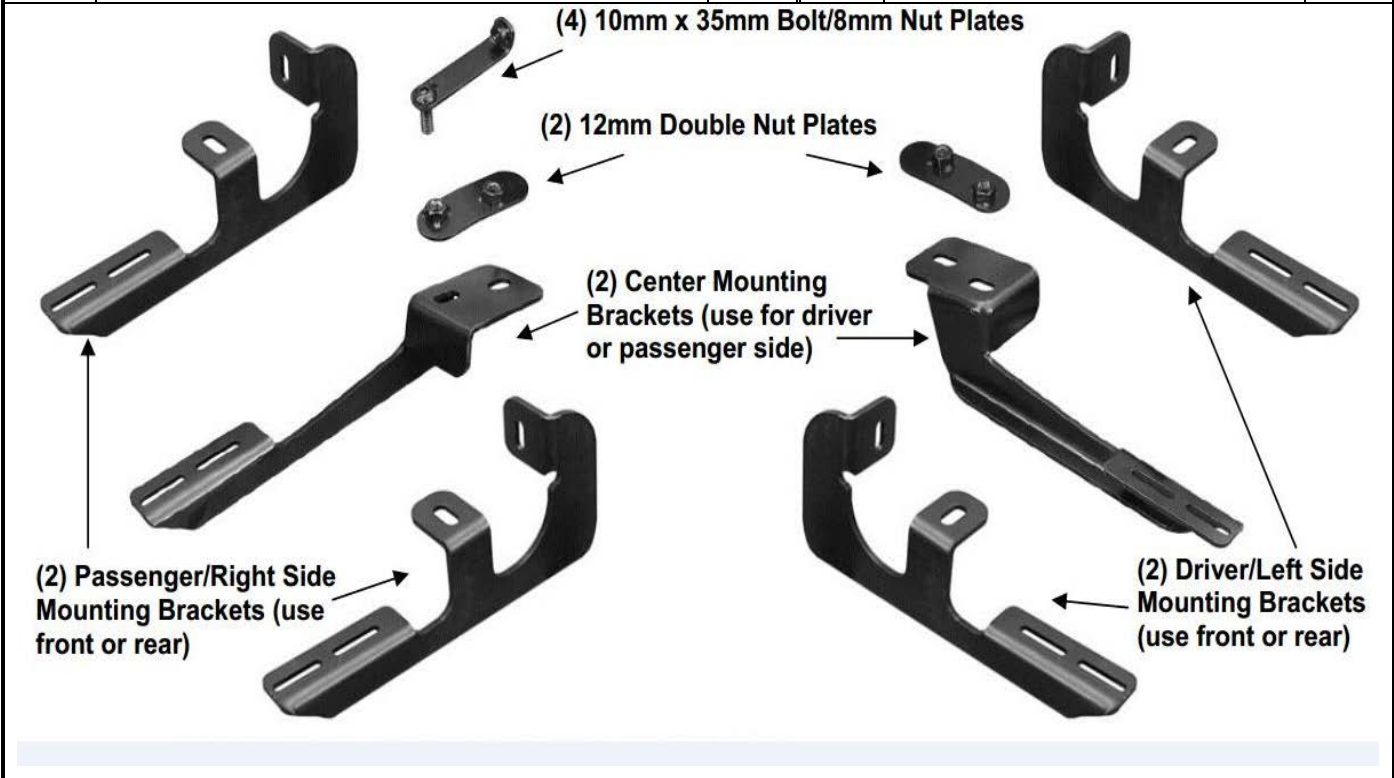


iRunning Board Installation Instruction

Application: 2007-2017 Chevy Traverse
2007-2016 GMC Acadia (Excl. Denali)
2007-2010 Saturn Outlook
2007-2009 Buick Enclave

REV: 20170601

Item	Part Name	QTY	Item	Part Name	QTY
1	Driver side running board	1	10	10mm x 30mm OD x 2.5mm Flat Washers	8
2	Passenger side running board	1	11	10mm Lock Washers	8
3	Driver/Left Mounting Bracket (front&rear same)	2	12	10-1.5mm Hex Nuts	4
4	Passenger/Right Mounting Bracket (front&rear same)	2	13	8-1.25mm x 30mm Hex Bolts	4
5	Center Mounting Bracket (driver & pass same)	2	14	M8 Flat Washers	4
6	10-1.50mm Double Nut Plates	2	15	8mm Lock Washers	4
7	10mm x 35mm L-Bolt/8mm Nut Plates	4	16	M6 Square Head Bolt	12
8	10mm Plastic Retainers	4	17	M6 Flat Washers	12
9	10-1.50mm x 35mm Hex Bolts	4	18	M6 Nylon Lock Nuts	12



Step	Installation Instruction
1	VERIFY ALL PARTS ARE PRESENT. READ INSTRUCTIONS CAREFULLY BEFORE STARTING INSTALLATION.
2	Start installation on the driver side. Locate the factory holes in the bottom and inside of the floor panel towards the front tire opening, (FIG 1) . IMPORTANT: On some vehicles, the body panel may be filled with expanding foam insulation. Use a long flat blade screwdriver or heavy wire, (coat hanger for example), to dig out the foam to provide clearance for the L-Bolt/Nut Plates, (FIG 2) .

The instruction here is for your reference only. We strongly recommend the professional installer for best result. We are not responsible for any damage caused by the installation. Thank you for choosing our product!

iRunning Board Installation Instruction

Application: 2007-2017 Chevy Traverse
2007-2016 GMC Acadia (Excl. Denali)
2007-2010 Saturn Outlook
2007-2009 Buick Enclave

REV: 20170601

3	Select (1) 10mm L-Bolt/Nut Plate, (FIG 3A) . Insert the bent end with the 8mm nut into the hole in the bottom of the floor panel, (FIG 3B) . Line up the hex nut with the hole in the side of the floor panel. Thread (1) 10mm Plastic Retainer onto the 10mm Bolt end of the Bolt/Nut Plate, (FIG 3B) . NOTE: The Plastic Retainer is provided to help hold the Bolt/Nut Plate in position during Bracket installation.
4	Select (1) driver side Mounting Bracket. Position the Bracket up to the vehicle and over the previously installed 10mm Bolt/Nut Plate, (FIG 4) . Attach the Bracket to the Bolt/Nut Plate with (1) 10mm Flat Washer, (1) 10mm Lock Washer and (1) 10mm Hex Nut. Attach the Bracket to the 8mm Nut with (1) 8mm x 30mm Hex Bolt, (1) 8mm Lock Washer and (1) 8mm Flat Washer. Do not tighten hardware at this time.
5	Move along the floor panel to the center of the vehicle, (FIG 5) . Select (1) 10mm Double Nut Plate, (Figure 6A) . Insert the Nut Plate into the large hole in the floor panel reinforcement, (FIG 6B) . Line up the threaded hole with the single small hole in the reinforcement, (FIG 7) . NOTE: The Nut Plate is offset to line up with the offset holes in the floor panel reinforcement.
6	Select (1) Center Bracket. NOTE: There is no left or right to the center Bracket, they will fit either side. Line up the (2) holes in the Center Bracket with the Double Nut Plate. Bolt the Bracket to the Double Nut Plate with (2) 10mm Hex Bolts, (2) 10mm Lock Washers and (2) 10mm Flat Washers, (FIG 8) . Leave hardware loose at this time.
7	Continue along the floor panel toward the rear of the vehicle. Locate the round hole in the bottom of the floor panel as described in Step 2, (FIG 9) . Repeat Steps 2 – 4 to install the remaining driver side Bracket in the rear location, (FIG. 10) .
8	Carefully un-wrap the driver side Running Board. Insert (6) M6 Square Head Bolt into the slots in the end of the channels, (3 Bolts per channel), on the bottom of the Running Board, (FIG. 11) . Hold the Running Board up in approximate position and slide the Bolts down to line up with the (3) Mounting Brackets. Tilt the Board up at a slight angle and push back against the vehicle until the Bolts fit into the slots in the Brackets. Secure the Running Board to the Brackets with (6) 6mm Flat Washers, (6) 6mm Lock Washers and (6) 6mm Hex Nuts, (FIG. 12) . Do not tighten hardware at this time. NOTE: The Center Bracket has a little adjustment in and out on the vehicle. Loosen the Bracket and slide the Center Bracket in or outward until it is in about the same position as the front and rear Brackets.
9	Level and adjust the Sidebar properly and tighten all hardware at this time.
10	Repeat Steps 2 – 9 for passenger side Running Board installation. IMPORTANT: The Center Bracket and Double Nut Plate used are the same, driver side and passenger side.
11	Do periodic inspections to the installation to make sure that all hardware is secure and tight.

To protect your investment: wax this product after installing. Regular waxing is recommended to add a protective layer over the finish. Do not use any type of polish or wax that may contain abrasives that could damage the finish.

For stainless steel: Aluminum polish may be used to polish small scratches and scuffs on the finish. Mild soap may be used also to clean the Running Board.

The instruction here is for your reference only. We strongly recommend the professional installer for best result. We are not responsible for any damage caused by the installation. Thank you for choosing our product!

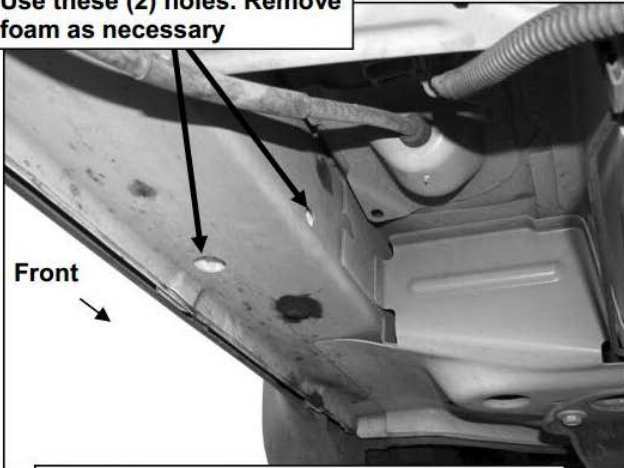
iRunning Board Installation Instruction

Application: 2007-2017 Chevy Traverse
2007-2016 GMC Acadia (Excl. Denali)
2007-2010 Saturn Outlook
2007-2009 Buick Enclave

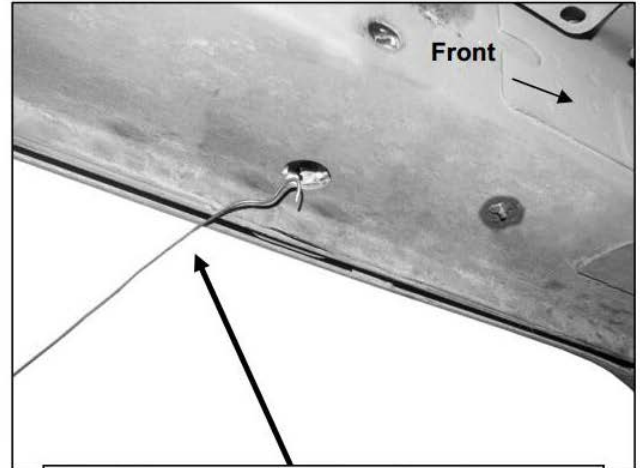
REV: 20170601

Driver Side Installation Pictured

Use these (2) holes. Remove foam as necessary



(Fig 1) Driver side front mounting location



(Fig 2) Use wire to pull foam from floor panel

***Pictures are for reference only, actual bars may be a little different.**

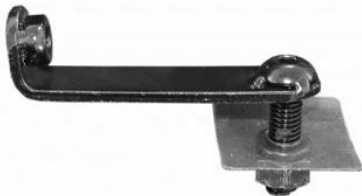


Fig 3A

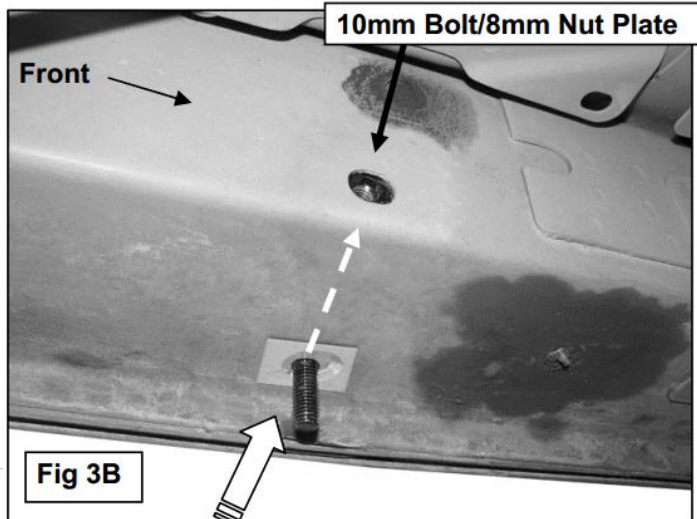
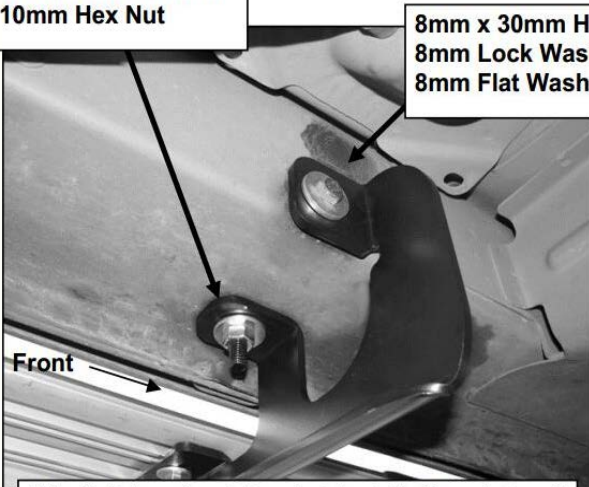


Fig 3B

10mm Flat Washer
10mm Lock Washer
10mm Hex Nut

8mm x 30mm Hex Bolt
8mm Lock Washer
8mm Flat Washer



(Fig 4) Driver front Bracket installation pictured



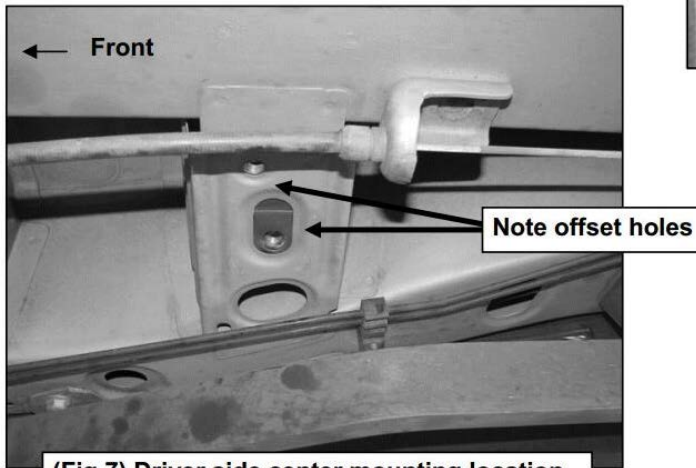
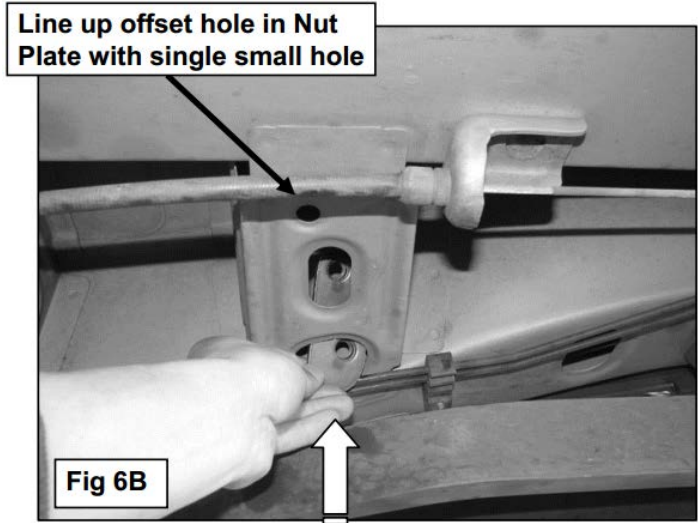
(Fig 5) Driver side center mounting location

The instruction here is for your reference only. We strongly recommend the professional installer for best result. We are not responsible for any damage caused by the installation. Thank you for choosing our product!

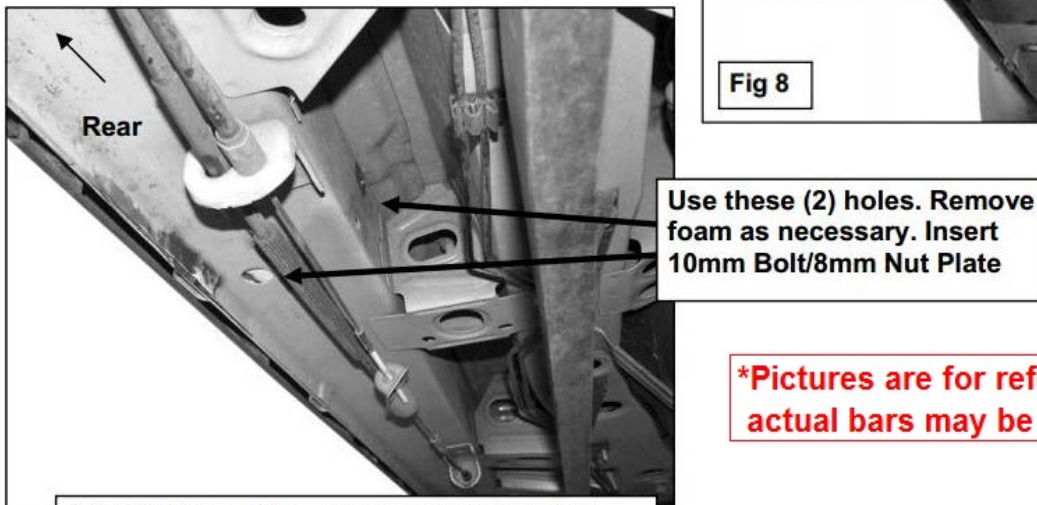
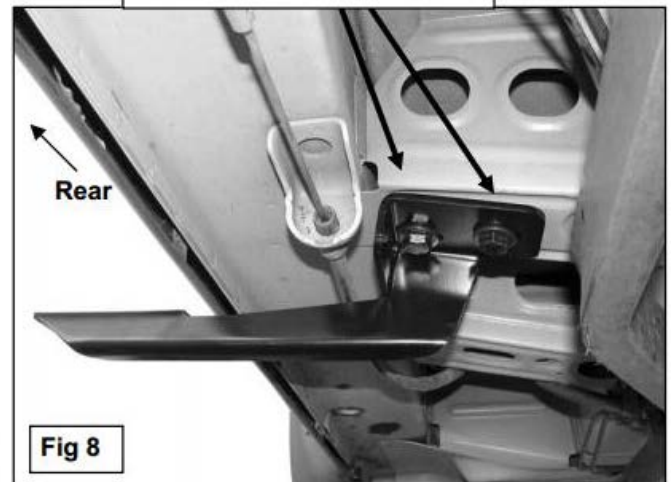
iRunning Board Installation Instruction

Application: 2007-2017 Chevy Traverse
2007-2016 GMC Acadia (Excl. Denali)
2007-2010 Saturn Outlook
2007-2009 Buick Enclave

REV: 20170601



- (2) 10mm x 35mm Hex Bolts
- (2) 10mm Lock Washers
- (2) 10mm Flat Washers



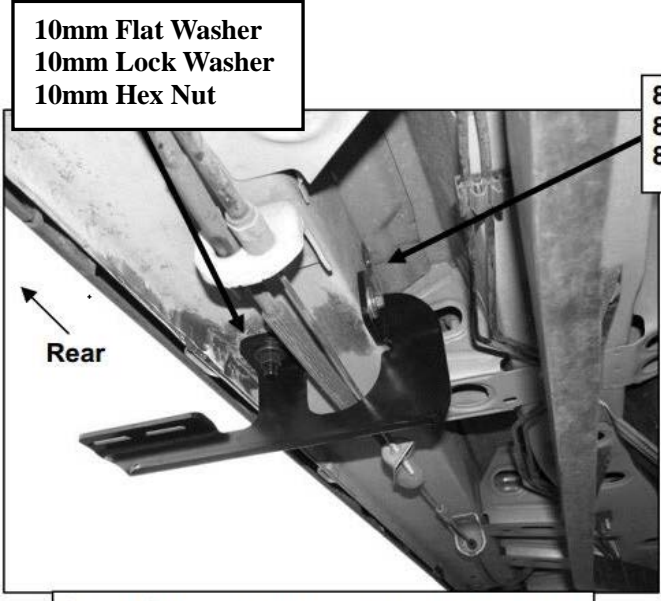
***Pictures are for reference only, actual bars may be a little different.**

The instruction here is for your reference only. We strongly recommend the professional installer for best result. We are not responsible for any damage caused by the installation. Thank you for choosing our product!

iRunning Board Installation Instruction

Application: 2007-2017 Chevy Traverse
2007-2016 GMC Acadia (Excl. Denali)
2007-2010 Saturn Outlook
2007-2009 Buick Enclave

REV: 20170601



10mm Flat Washer
10mm Lock Washer
10mm Hex Nut

8mm x 30mm Hex Bolt
8mm Lock Washer
8mm Flat Washer

M6 Square Hex Bolt
M6 Flat Washers
M6 Nylon Lock Nuts

(Fig 10) Driver side rear Bracket pictured

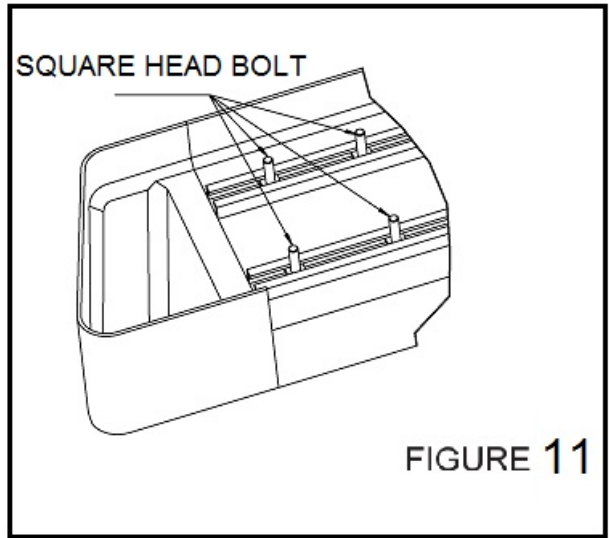
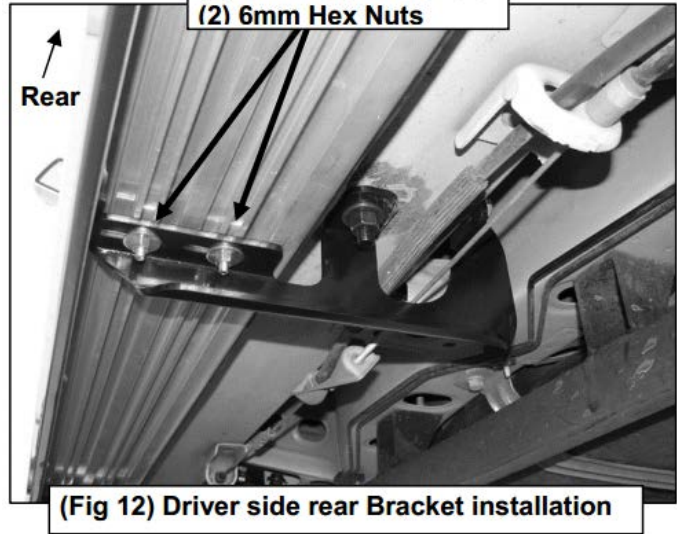


FIGURE 11



(2) 6mm Flat Washers
(2) 6mm Lock Washers
(2) 6mm Hex Nuts

(Fig 12) Driver side rear Bracket installation

***Pictures are for reference only,
actual bars may be a little different.**



The instruction here is for your reference only. We strongly recommend the professional installer for best result. We are not responsible for any damage caused by the installation. Thank you for choosing our product!