

Installation Instructions for IB03EAI8

by APS Auto Parts Specialist Inc.

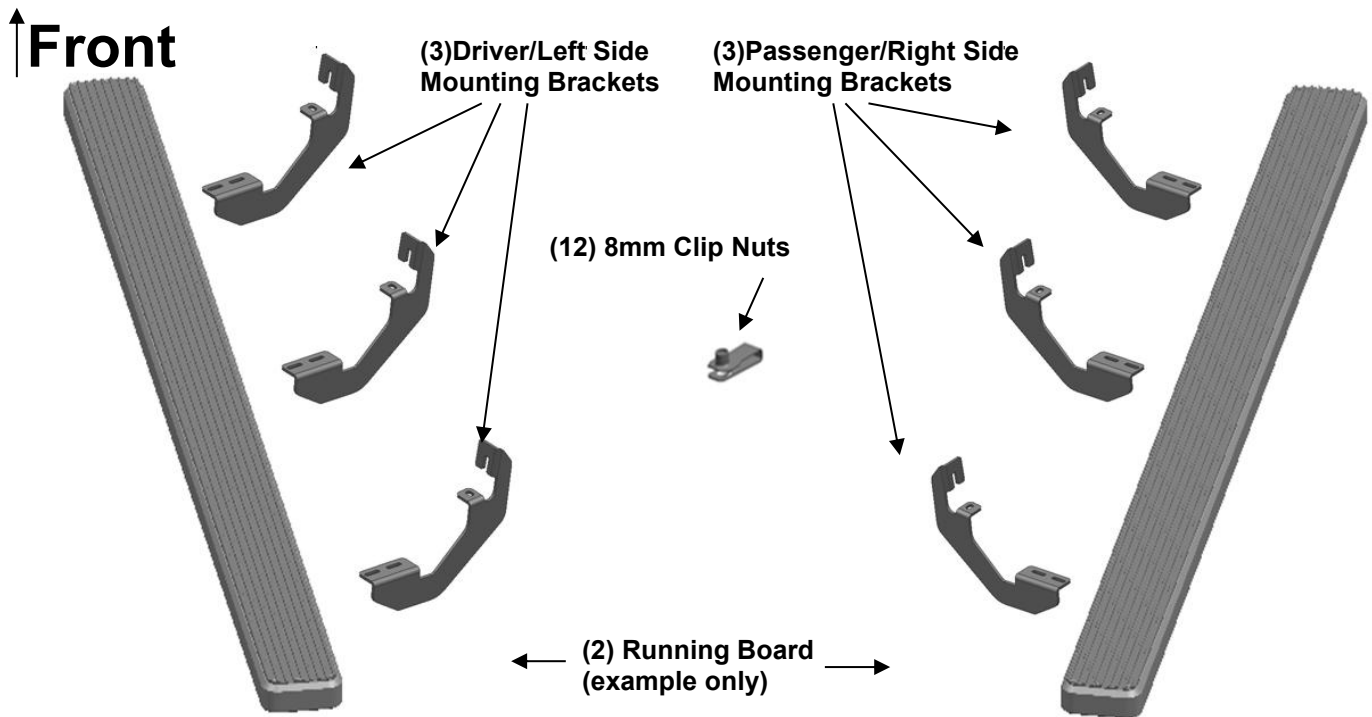
Application: FOR 2015-2018 CHEVY COLORADO/GMC CANYON EXTENDED CAB
Estimated Time: 1 to 2 hours



Disclaimer: Instructions intended for persons aged 18+ please do not attempt without adult supervision. Instructions are not intended to replace professional installation. Damage from improper installation, misuse or modification to the product voids the manufacturer's warranty.

PARTS LIST:

| Item | QTY | Description | Item | QTY | Description |
|------|-----|---|------|-----|--------------------|
| #1 | 2 | Running Board(use for left or right) | #6 | 12 | M8 Lock Washers |
| #2 | 3 | Driver/Left Mounting Brackets (DF/C/RM) | #7 | 12 | M8 Hex Bolts |
| #3 | 3 | Passenger/Right Mounting Brackets (PF/C/RM) | #8 | 12 | M6X1-20 T-Bolts |
| #4 | 12 | 8mm Clip-On Nuts | #9 | 12 | M6 Flat Washers |
| #5 | 12 | M8 Flat Washers | #10 | 12 | M6 Nylon Lock Nuts |



PROCEDURE:

1. **REMOVE CONTENTS FROM BOX. VERIFY ALL PARTS ARE PRESENT. READ INSTRUCTIONS CAREFULLY BEFORE STARTING INSTALLATION. ASSISTANCE IS RECOMMENDED.**
2. Start the installation under the passenger side of the vehicle. Locate the 4 factory running board mounting locations along the bottom and inner side of the body, **(Figure 1)**. Mounting Brackets will bolt to the 1st, 2nd and 4th mounting locations.
3. Remove rubber plugs as necessary from the holes in the side and bottom of the inner body panel, **(Figure 2)**. Select (1) 8mm Clip Nut. Slide the Clip Nut into the large hole and over the smaller hole next to it in the side of the body panel. Line up threaded nut on the Clip Nut with smaller hole in body panel, **(Figure 3)**. Repeat to install a Clip Nut in the bottom mounting location.
4. Select (1) driver side Mounting Bracket, **(Figure 4)**. Bolt the Mounting Bracket to the (2) Clip Nuts with (2) M8 Hex Bolts, (2) M8 Lock Washers and (2) M8 Flat Washers, **(Figure 5)**. Snug but do not fully tighten the hardware.
5. Repeat **Steps 2—4** to install center and rear position brackets, **(Figures 6 & 7)**.
6. Select a Running Board. Slip(6)M6 T-bolts into each bottom channel**(Figure 8)**. Carefully position the Running Board onto the (3) Mounting Brackets. **IMPORTANT:** Do not slide, (front to back), the Running Board on the Brackets or damage to the finish may result. Attach the Running Board to each Mounting Brackets with(2) M6 T-bolts,(2)M6 flat washers and (2)M6 nylon lock nuts **(Figures 9)**. Do not tighten at this time.

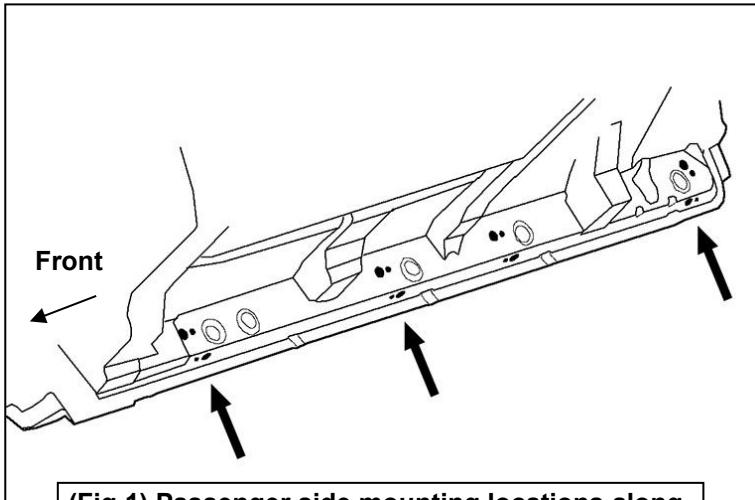
- Level and adjust Running Board properly and tighten all hardware. **NOTE: Torque all M6 nylon lock nuts to 7 lb-ft.**
- Repeat **Steps 2—7** for passenger/right Running Board installation.
- Do periodic inspections to the installation to make sure that all hardware is secure and tight.

To protect your investment, wax this product after installing. Regular waxing is recommended to add a protective layer over the finish. Do not use any type of polish or wax that may contain abrasives that could damage the finish.

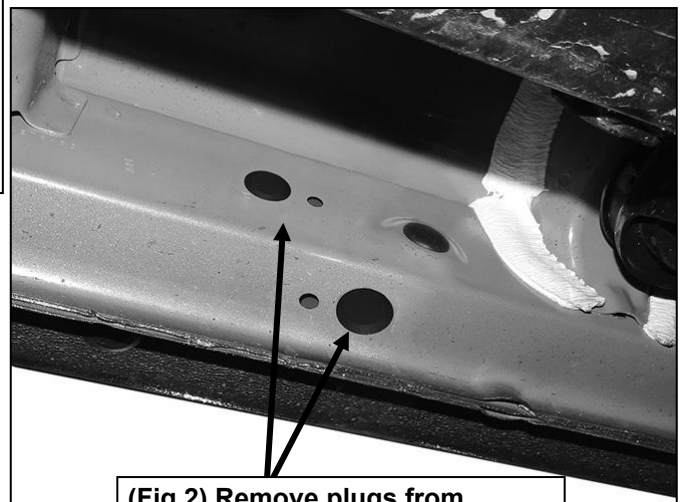
For Polished Finishes: Aluminum polish may be used to polish small scratches and scuffs on the finish. Mild soap may be used also to clean the Running Board.

For Black Finishes: Mild soap may be used to clean the Running Board.

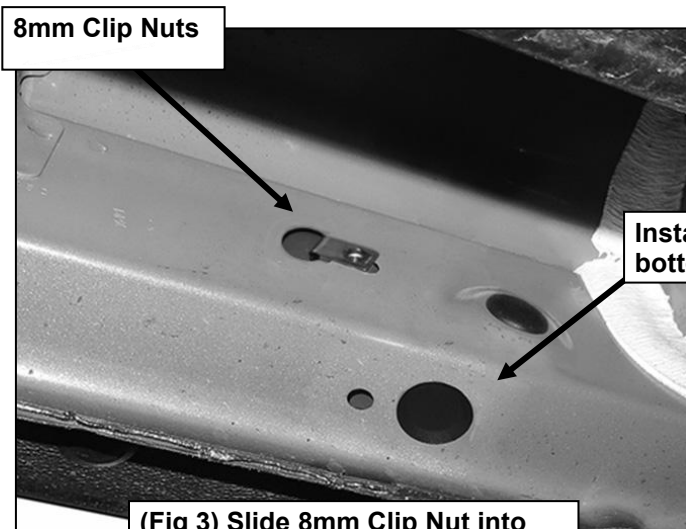
Passenger/right Side Installation Pictured



(Fig 1) Passenger side mounting locations along bottom and back of body panel illustrated



(Fig 2) Remove plugs from mounting locations as necessary



(Fig 3) Slide 8mm Clip Nut into large hole and over small hole

Install 2nd Clip Nut on bottom of body panel

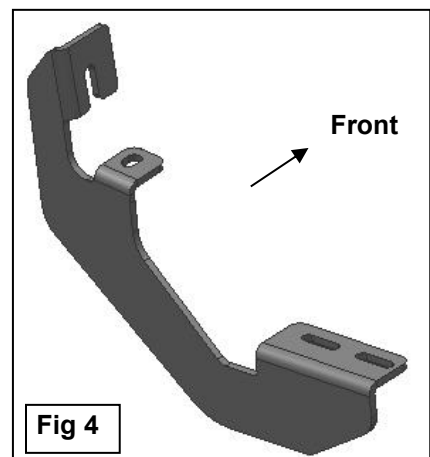
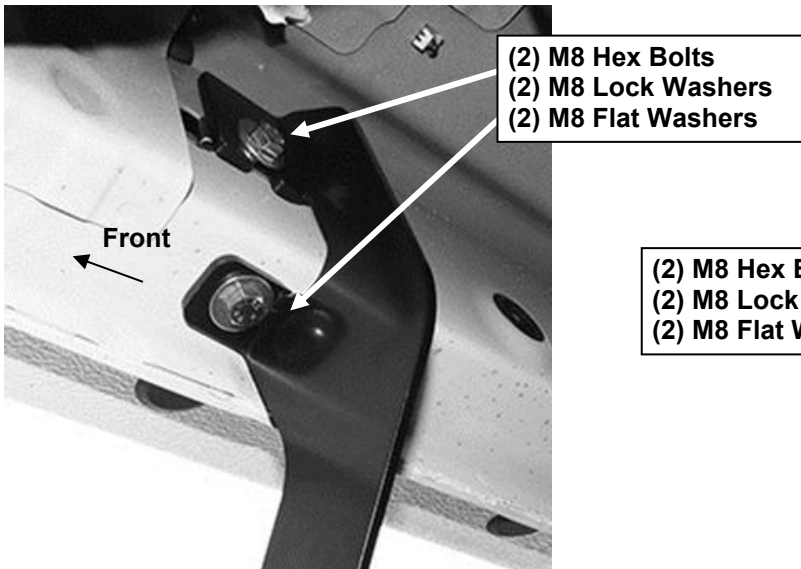


Fig 4

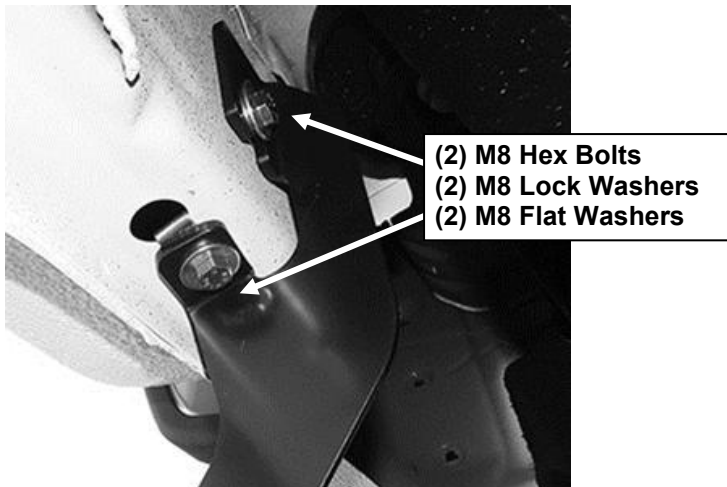
Passenger/right Side Installation Pictured



(Fig 5) Passenger side front Bracket installation



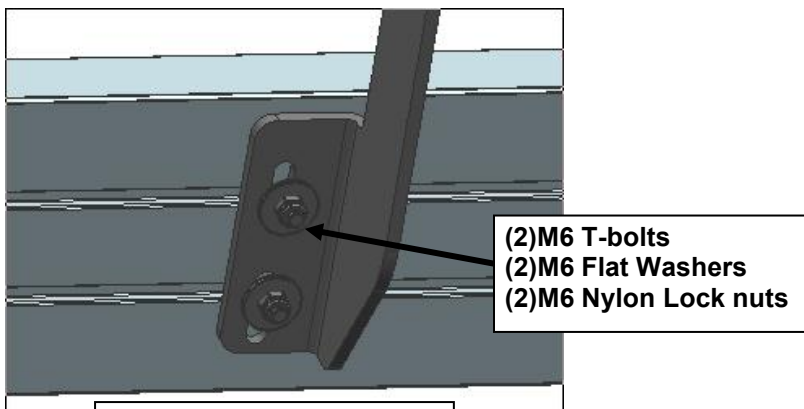
(Fig 6) Passenger side center Bracket installation



(Fig 7) Passenger side rear Bracket installation



(Fig 8) Slip M6 T-bolts into the bottom channel



(Fig 9) Bracket Installation