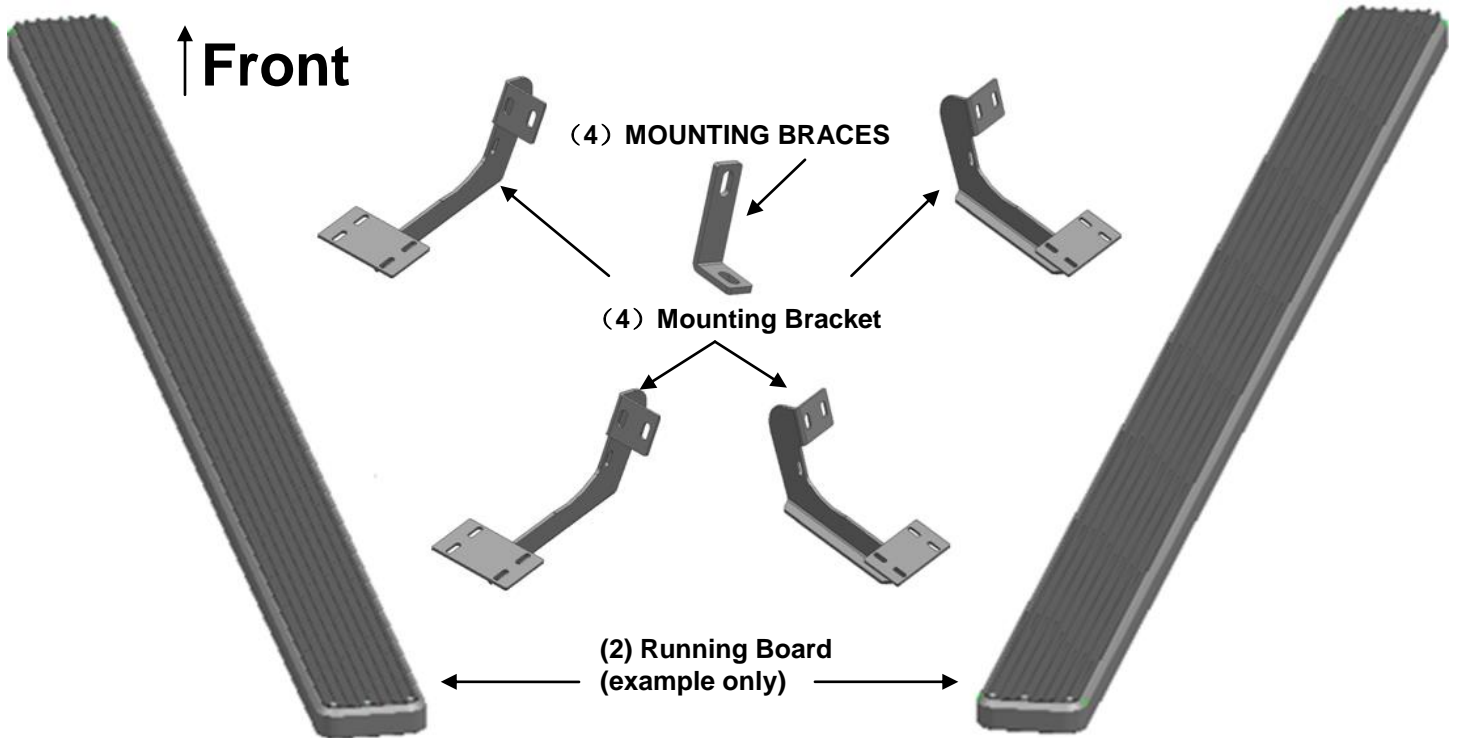


PARTS LIST:

Item	Qty	Description	Item	Qty	Description
#1	2	Running Board(use for left or right)	#6	4	8mm Hex Nuts
#2	4	Mounting Brackets	#7	20	8mmx24mmODx2mm Flat Washers
#3	4	Mounting Braces	#8	16	6-1.0mm x 20mm T-Bolts
#4	16	8-1.5mm x 30mm Hex Bolts	#9	16	6mm x 22mm OD x 2mm Flat Washers
#5	16	8mm Lock Washers	#10	16	6mm Lock Nuts



PROCEDURE:

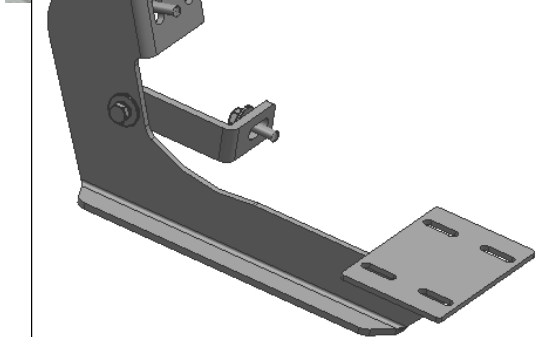
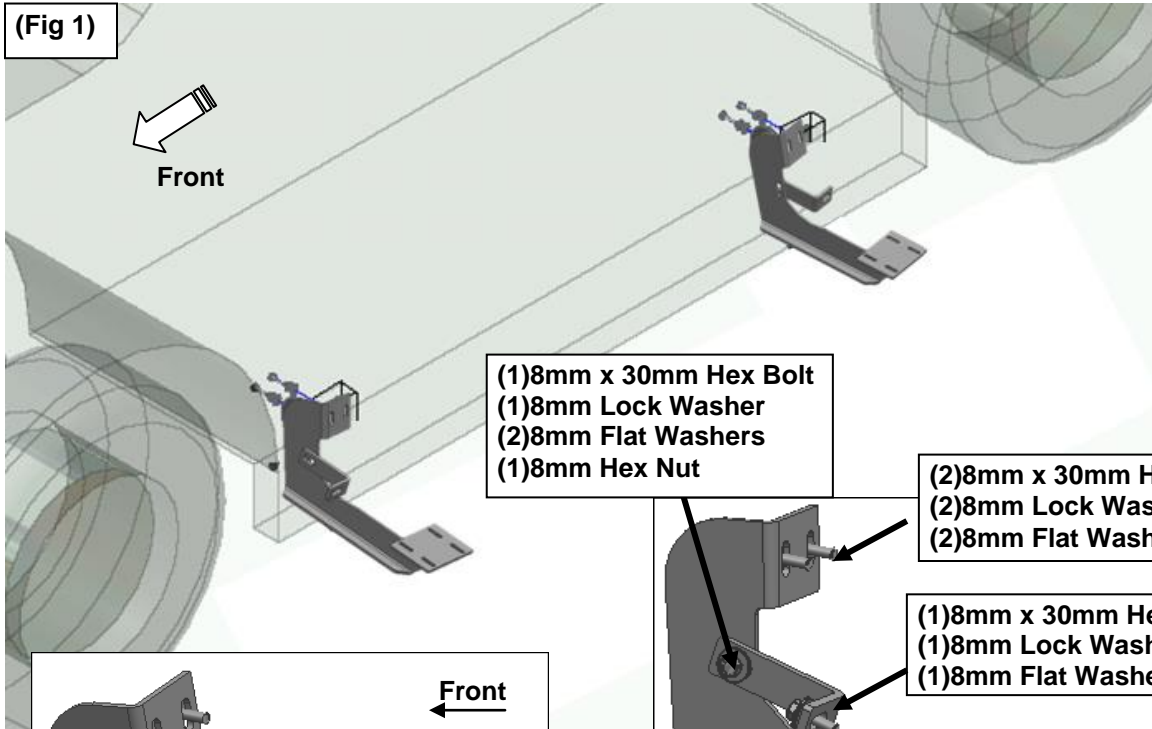
- 1. REMOVE CONTENTS FROM BOX. VERIFY ALL PARTS ARE PRESENT. READ INSTRUCTIONS CAREFULLY BEFORE STARTING INSTALLATION.**
- Begin installation by working on driver side of the vehicle .Select (1) Mounting Bracket ,bolt it into the two thread holes in the inside rocker panel with the included (2)8mm x 30mm Hex Bolts, (2)8mm Lock Washers and (2)8mm flat washers **(Figure 1&2)**. Snug but do not tighten hardware at this time.
Note: Front and rear Mounting Brackets are universal.
- Select (1)mounting brace, Attach the brace to the front facing side of the front Bracket with (1)8mm x 30mm Hex Bolts, (1)8mm Lock Washers , (2)8mm flat washers and (1)8mm Hex Nut. **(Figure 1&2)**. The other end of the brace bolt to the body panel with (1)8mm x 30mm Hex Bolts, (1)8mm Lock Washers (1)8mm flat washers. **(Figure 1&2).Note: Front and rear Mount Brace are universal.**
- Repeat **Step 2-3** to install the passenger Rear Mounting Bracket and Mount Brace**(Figure 1&3)**. Snug but do not tighten hardware at this time.
- Select a Running Board. Slip(8) 6mm T-bolts into each bottom channel**(Figure 4)**. Carefully position the Running Board onto the (2) Mounting Brackets. **IMPORTANT:** Do not slide, (front to back), the Running Board on the Brackets or damage to the finish may result. Attach the Running Board to the Mounting Brackets with(4) 6mm T-bolts,(4)6mm flat washers and (4)6mm lock nuts **(Figures 5)**. Do not tighten at this time.
- Level and adjust the Running Board and tighten all hardware.
- Repeat **Steps 2 - 6** for driver Running Board installation.
- Do periodic inspections to the installation to make sure that all hardware is secure and tight.

To protect your investment, wax this product after installing. Regular waxing is recommended to add a protective layer over the finish. Do not use any type of polish or wax that may contain abrasives that could damage the finish.

For Polished Finishes: Aluminum polish may be used to polish small scratches and scuffs on the finish. Mild soap may be used also to clean the Running Board.

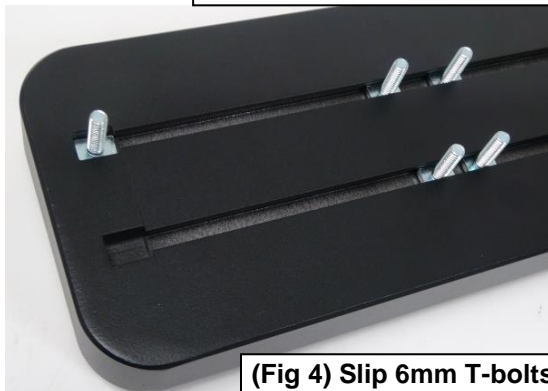
For Black Finishes: Mild soap may be used to clean the Running Board.

Passenger Side Installation Pictured

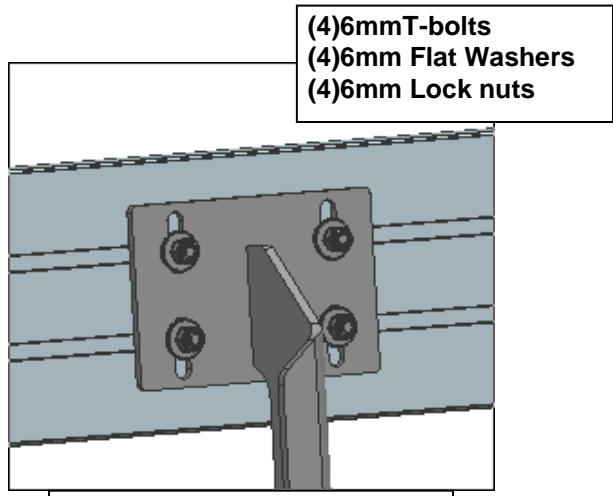


(Fig 2) Front Mount Brace

(Fig 3) Rear Mount Brace



(Fig 4) Slip 6mm T-bolts into the bottom channel



(Fig 5) Bracket installation