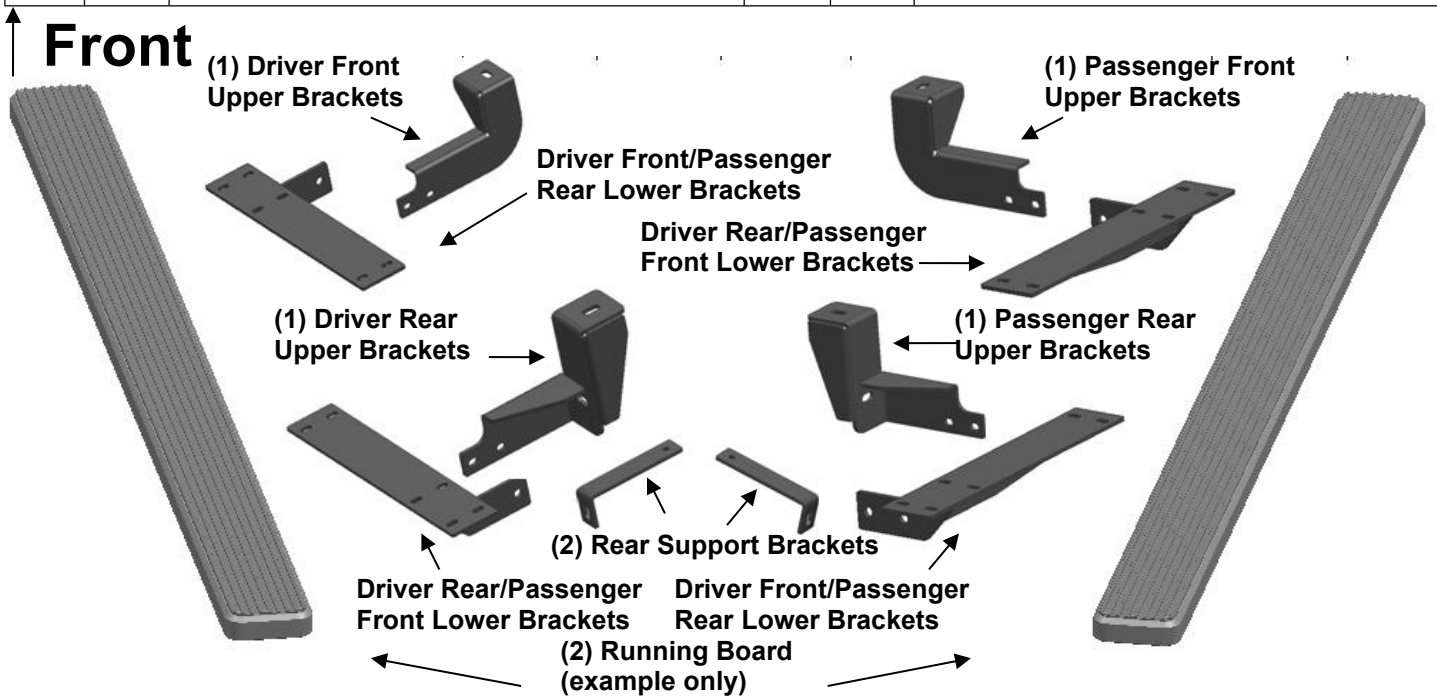


**PARTS LIST:**

Item	QTY	Description	Item	QTY	Description
#1	2	Running Board(use for left or right)	#11	6	12mm Lock Washers
#2	1	Driver Front Upper Brackets (DFM)	#12	8	12mm x 37mm x 3mm Flat Washers
#3	1	Passenger Front Upper Brackets (PFM)	#13	2	12mm Hex Nuts
#4	1	Driver Rear Upper Brackets (DRM)	#14	10	10-1.50mm x 35mm Hex Head Bolts
#5	1	Passenger Rear Upper Brackets (PRM)	#15	10	10mm Lock Washers
#6	2	Driver Front/Passenger Rear Lower Brackets (DFB)	#16	20	10mm x 30mm x 2.5mm Flat Washers
#7	2	Driver Rear/Passenger Front Lower Brackets (PFB)	#17	10	10mm Hex Nuts
#8	2	Rear Support Brackets (DRS)	#18	24	6-1.0mm x 20mm T-Bolts
#9	2	12-1.75mmx40mmHex Bolts	#19	24	6mm x 22mm OD x 2mm Flat Washers
#10	4	12-1.75mmx120mmHex Bolts	#20	24	6mm Lock Nuts



**PROCEDURE:**

REMOVE CONTENTS FROM BOX. VERIFY ALL PARTS ARE PRESENT. READ INSTALLATION INSTRUCTIONS CAREFULLY BEFORE STARTING INSTALLATION. DRILLING IS REQUIRED.

**IMPORTANT ALERT:** GM uses a very strong thread-locking compound on all body bolts. Use of an air assisted impact ratchet can cause damage to the threads on factory body mount bolts and the internal nut assembly because of this thread locking compound.

We only recommend the use of hand tools to slowly remove and reinstall body mount bolts on all GM vehicles.

**CRITICAL INFORMATION:** If during the removal process, it becomes increasingly difficult to unscrew the body mount bolt with hand tools, tighten the bolt several rotations to clear the thread locking compound from the threads, then reverse direction and continue to unscrew until the body mount bolt is out. Repeat this process as necessary on all GM body mount bolts. Use of an appropriate anti-seize compound is highly recommended for re-installation. Tighten body mount bolt to factory torque specifications for your particular model year.

1. Start installation on the front, driver side of the vehicle. Remove the factory front body mount bolt.
2. Select (1) Driver front Upper Mounting Bracket. Use the included (1) 12mm x 120mm Hex Bolt. (1) 12mm Lock Washer and (1) 12mm Flat Washer to attach the Bracket to the front body mount. Do not tighten hardware at this time (**Figure 1**) . **IMPORTANT! To prevent unnecessary noise, adjust the position of all Mounting Brackets so that once tightened, the Mounting Brackets cannot come in contact with the factory steel body mount bracket or emergency brake cables.**
3. Select a driver front lower bracket, attach to the driver front upper bracket with (2)10mmx35 Hex bolts,(4)10mm flat washers,(2)10mm lock washers and (2)10mm Hex nuts. (**Figure 1**)  
**NOTE:THE DRIVER FRONT LOWER BRACKET AND THE PASSENGER REAR LOWER BRACKET ARE UNIVERSAL.**
4. Move toward the rear of the vehicle. Remove the factory body mount bolt as described in **Step 1**. Select (1) Driver Rear Mounting Bracket. Bolt the driver rear upper Mounting Bracket in place as previously described in **Step 2 (Figure 2)** .
5. Select (1) Rear Support Bracket. Hold the bent end of the Support Bracket up to the back of the Rear Mounting Bracket. Insert (1) 12 x 40mm Hex Bolt, (1) 12mmLock Washer, (2)12mm Flat Washer and (1)12mm Hex nut.through the bent end of the Support Bracket. Snug but do not tighten hardware at this time (**Figure 2**) .
6. Line up the flat end of the Support Bracket with the bottom of the frame (**Figure 2**) .
7. Repeat **Step 3** to install a driver rear lower bracket to the driver rear upper bracket (**Figure 2**) .
8. Select a Running Board. Slip(12) 6mm T-bolts into each bottom channel(**Figure 3**). Carefully position the Running Board onto the (2) Mounting Brackets. **IMPORTANT:** Do not slide, (front to back), the Running Board on the Brackets or damage to the finish may result. Attach the Running Board to the Mounting Brackets with(6) 6mm T-bolts,(6)6mm flat washers and (6)6mm lock nuts (**Figures 4**). Do not tighten at this time.
9. Using the hole in the long end of the Support Bracket (**show on Step 5**) as a guide, drill a 7/16" hole in the bottom of the frame. Do not drill close to the edge of the frame. **IMPORTANT!** Any cutting or drilling tool may break or shatter. Government regulations require safety glasses & equipment at all times when cutting or drilling.
10. Attach the Support Bracket to the Frame with the included (1) 10mm x 35mm Hex Bolt, (2) 10mm Flat Washers, (1) 10mm Lock Washer and (1) 10mm Hex Nut. Tighten all hardware at this time (**Figure 2**) .
11. Level and adjust the running board, and tighten all hardware. Check all mounting locations for clearance between factory steel body mount brackets and Mounting Brackets. Once satisfied with fit, fully tighten all hardware.
12. Repeat **Steps 1—10** for passenger running borad installation.
13. Do periodic inspections to the installation to make sure that all hardware is secure and tight.

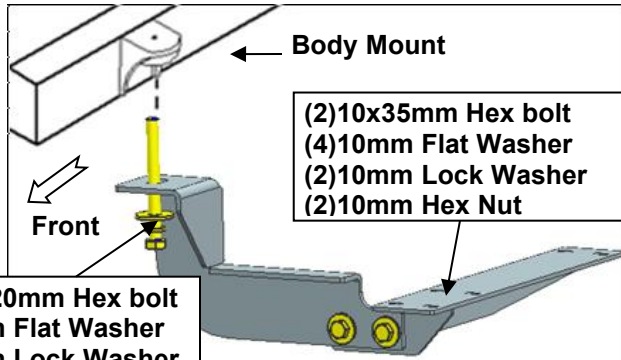
**To protect your investment**, wax this product after installing. Regular waxing is recommended to add a protective layer over the finish. Do not use any type of polish or wax that may contain abrasives that could damage the finish.

**For Polished Finishes:** Aluminum polish may be used to polish small scratches and scuffs on the finish. Mild soap may be used also to clean the Running Board.

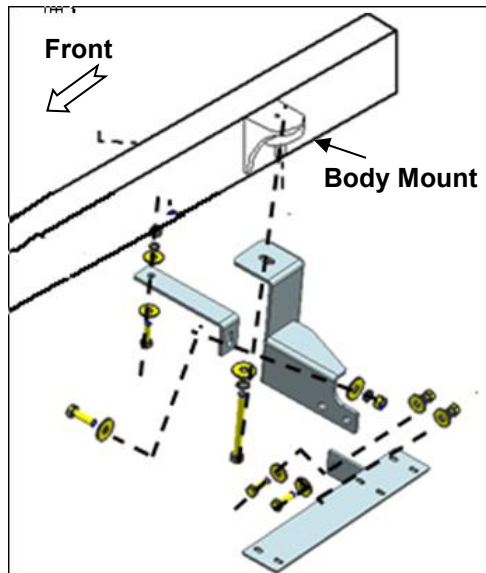
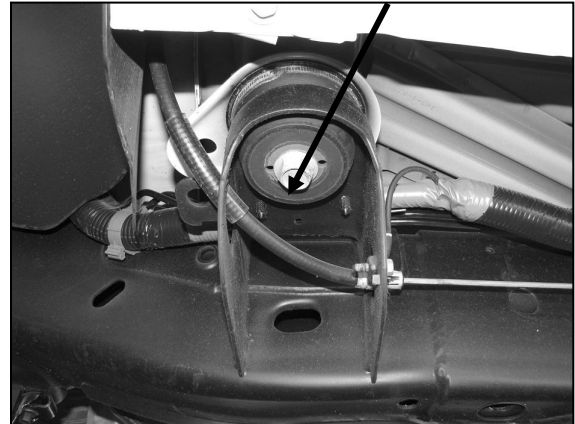
**For Black Finishes:** Mild soap may be used to clean the Running Board.

Driver side installation illustrated

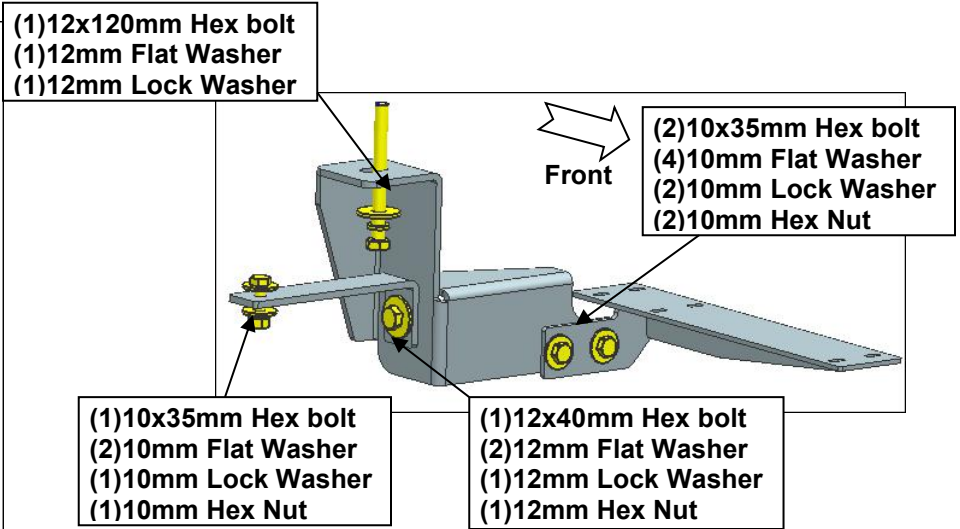
Example of GM factory body mount bolt



(Fig 1) Front Bracket installation pictured



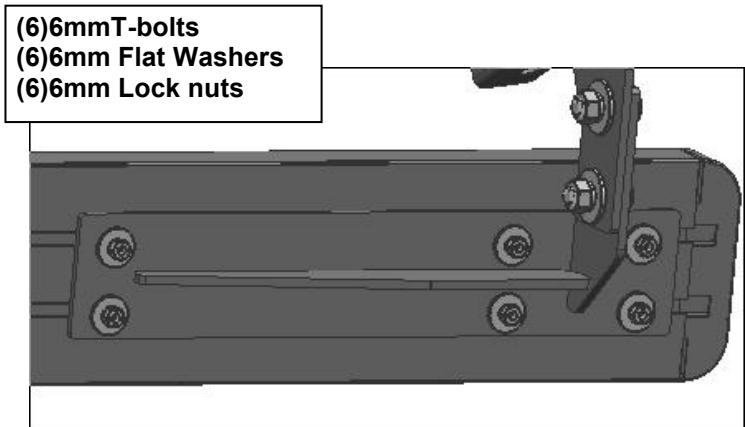
(Fig 2A)Rear Bracket installation pictured



(Fig 2B)Rear Bracket installation pictured



(Fig 3) Slip 6mm T-bolts into the bottom channel



(Fig 4) Bracket installation