

# Installation Instructions for IB03EBC3

by APS Auto Parts Specialist Inc.

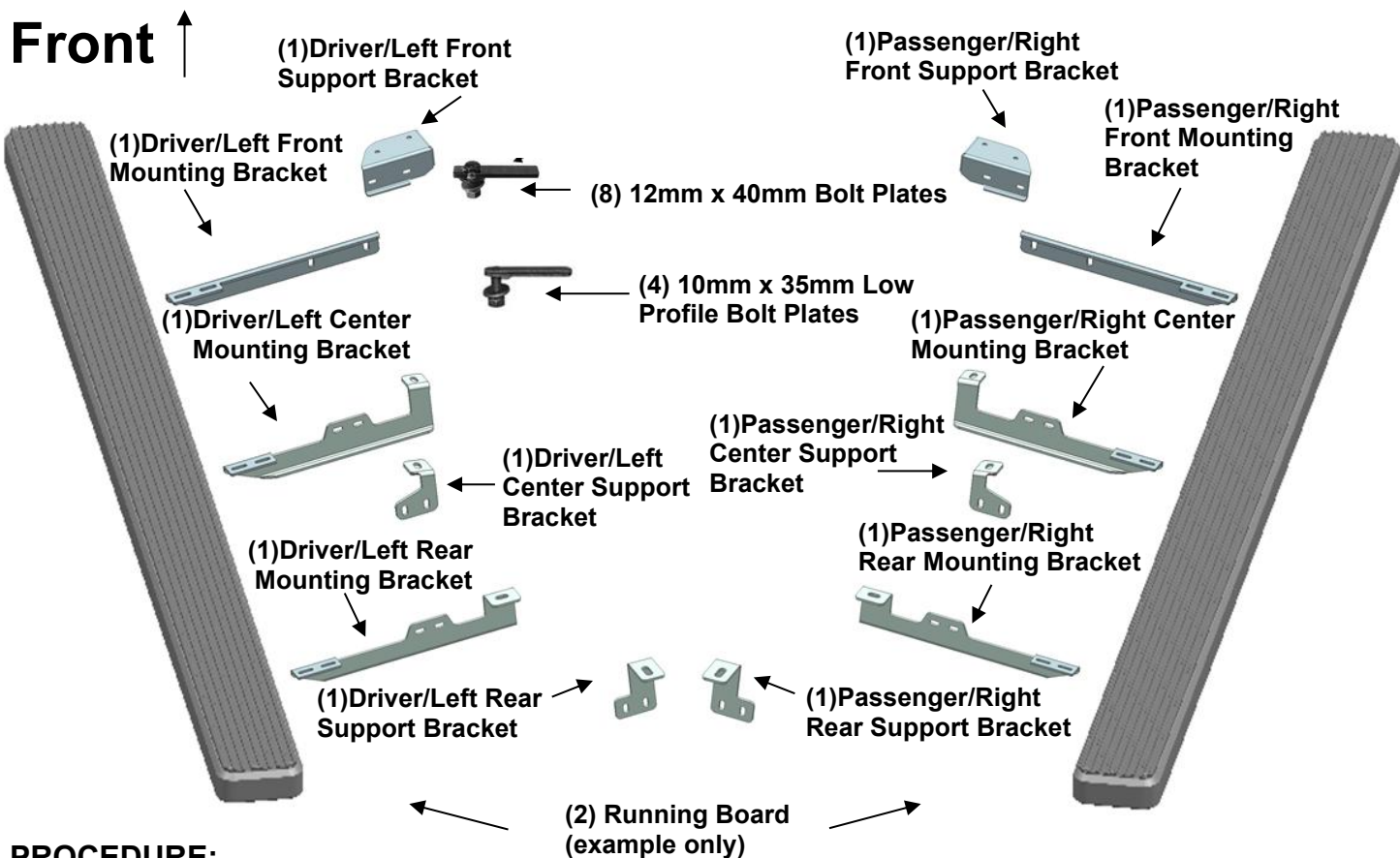
Application: For 2010-2017 Chevy Equinox / GMC Terrain  
Estimated Time: 1 to 2 hours



Disclaimer: Instructions intended for persons aged 18+ please do not attempt without adult supervision. Instructions are not intended to replace professional installation. Damage from improper installation, misuse or modification to the product voids the manufacturer's warranty.

**PARTS LIST:**

| Item | QTY | Description  | Item | QTY | Description                        |
|------|-----|--|------|-----|------------------------------------|
| #01  | 2   | Running Board(use for left or right)                 | #14  | 8   | 12mm x 40mm Bolt Plates            |
| #02  | 1   | Driver/Left Front Mounting Bracket (DFM)             | #15  | 8   | 12mm Flat Washers                  |
| #03  | 1   | Passenger/Right Front Mounting Bracket (PFM)         | #16  | 8   | 12mm Lock Washers                  |
| #04  | 1   | Driver/Left Front Support Mounting Bracket (DFS)     | #17  | 8   | 12mm Hex Nuts                      |
| #05  | 1   | Passenger/Right Front Support Mounting Bracket (PFS) | #18  | 4   | 10mm x 35mm Low Profile Bolt Plate |
| #06  | 1   | Driver/Left Center Mounting Bracket (DCM)            | #19  | 12  | 10mm x 30mm Hex Bolts              |
| #07  | 1   | Passenger/Right Center Mounting Bracket (PCM)        | #20  | 4   | 10mm Large Flat Washers            |
| #08  | 1   | Driver/Right Center Support Bracket (DCS)            | #21  | 24  | 10mm STD Flat Washers              |
| #09  | 1   | Passenger/Left Center Support Bracket (PCS)          | #22  | 16  | 10mm Lock Washers                  |
| #10  | 1   | Driver/Left Rear Mounting Bracket (DRM)              | #23  | 16  | 10mm Hex Nuts                      |
| #11  | 1   | Passenger/Right Rear Mounting Bracket (PRM)          | #24  | 12  | 6mm T-Bolts                        |
| #12  | 1   | Driver/Right Rear Support Bracket (DRS)              | #25  | 12  | 6mm Flat Washers                   |
| #13  | 1   | Passenger/Left Rear Support Bracket (PRS)            | #26  | 12  | 6mm Hex Nuts                       |



**PROCEDURE:**

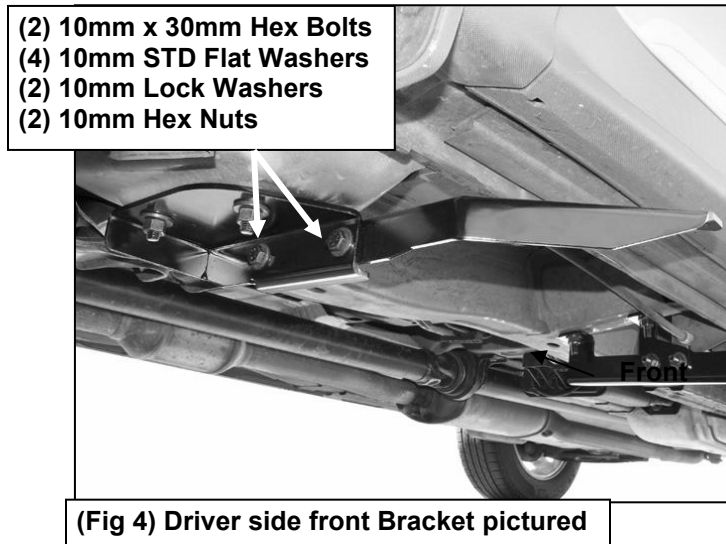
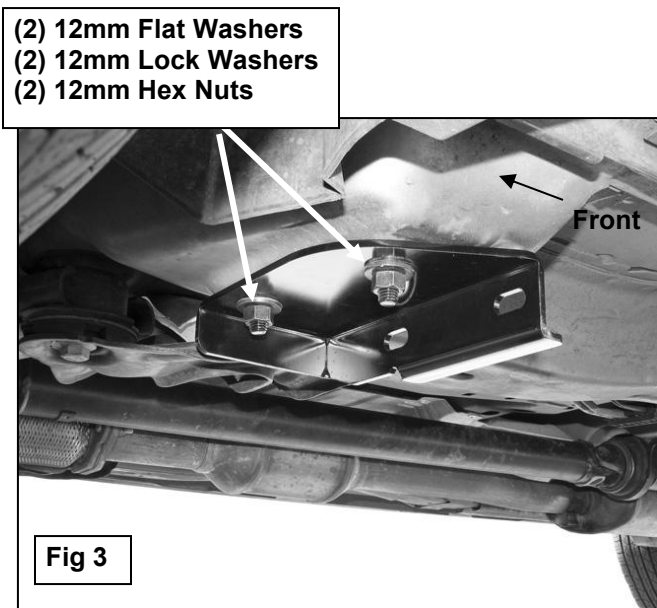
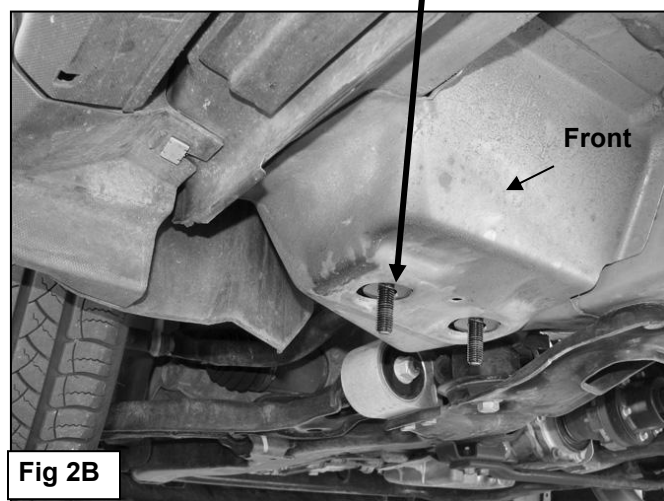
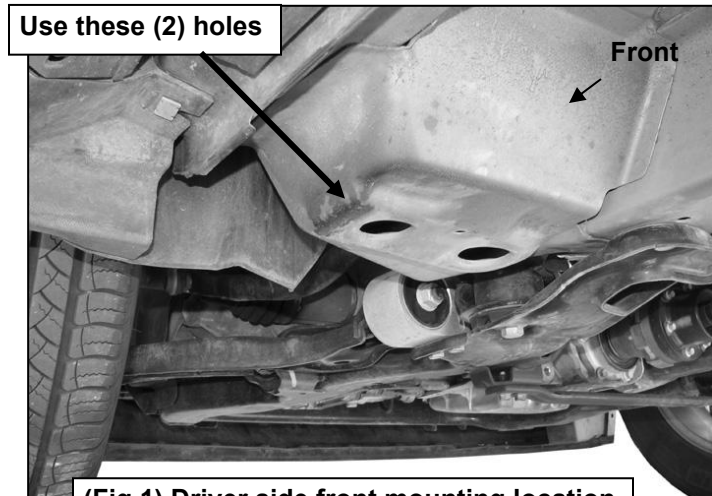
1. REMOVE CONTENTS FROM BOX. VERIFY ALL PARTS ARE PRESENT. READ FACTORY BODY BOLT REMOVAL INSTRUCTIONS AND INSTALLATION INSTRUCTIONS CAREFULLY BEFORE STARTING INSTALLATION.
2. Starting at the driver side-front of the vehicle, locate the two large factory holes in the floor panel by the front tires, (**Figure 1**). Insert (1) 12mm x 40mm Bolt Plate into each of the factory

holes, **(Figure 2A)**. **IMPORTANT!** Once you have inserted the Bolt Plates, make sure that the welded washer on each Bolt Plate is in the center of the factory hole, **(Figures 2A & 2B)**.

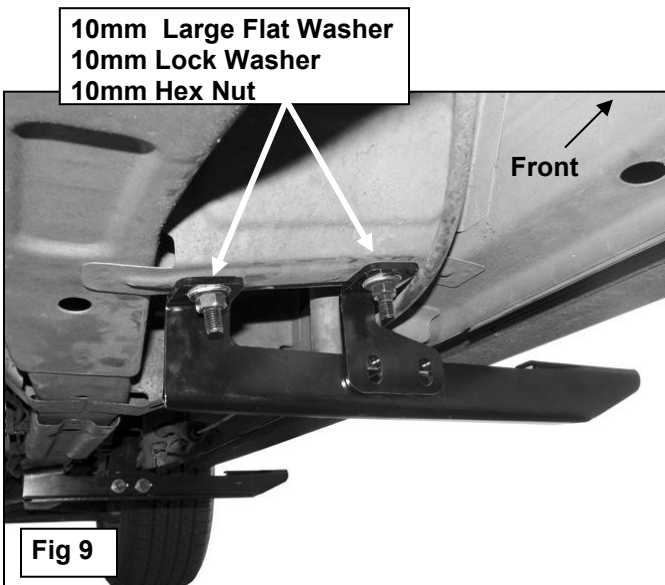
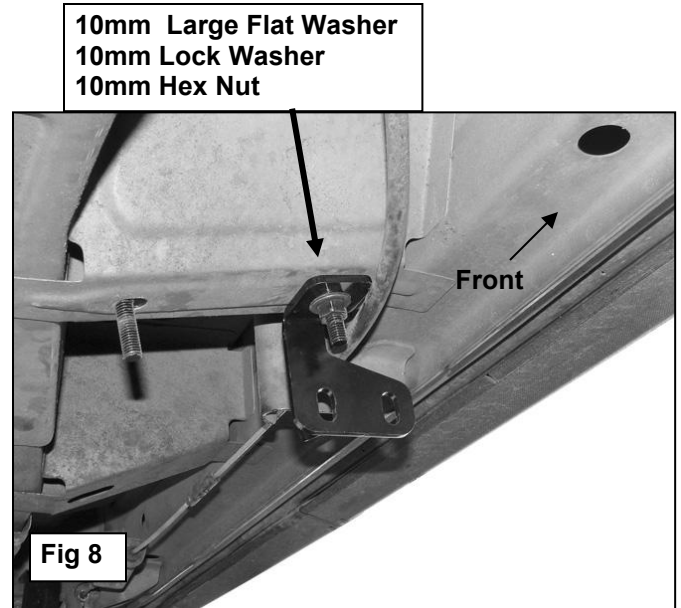
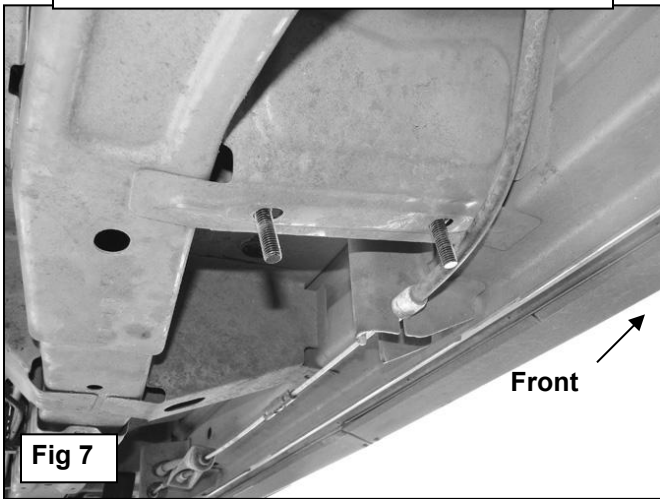
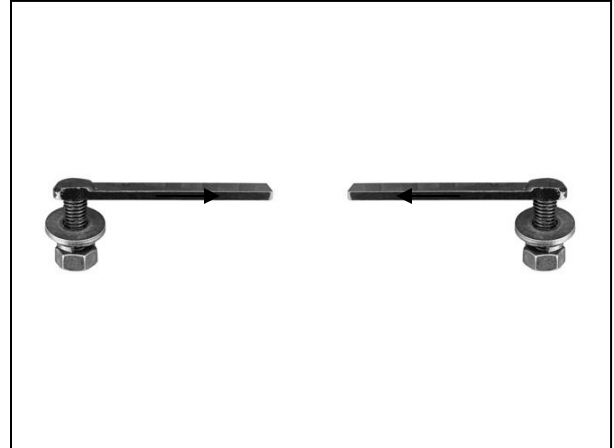
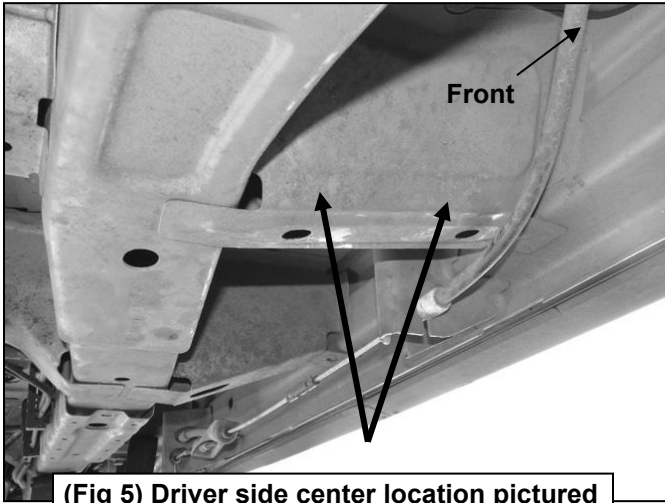
3. Select the Driver/Left Front Support Mounting Bracket, **(Figure 3)**. Bolt the Support Bracket to the (2) Bolt Plates with the included (2) 12mm Flat Washers, (2) 12mm Lock Washers and (2) 12mm Hex Nuts. Snug but do not tighten hardware at this time. **NOTE: Make sure that the welded-on washers are fully seated in the large openings in the floor at all times before tightening hardware.**
  4. Bolt the Driver/Left Front Mounting Bracket to the back of Driver/Left Front Support Mounting Bracket with the included (2) 10mm x 30mm Hex Bolts, (4) 10mm STD Flat Washers, (2) 10mm Lock Washers and (2) 10mm Hex Nuts, **(Figure 4)**. Leave hardware loose at this time.
  5. Move along the floor panel to the center of the vehicle, **(Figure 5)**. Select (2) 10mm x 35mm Low Profile Bolt Plates, **(Figure 6)**. Insert the Bolt Plates into the (2) small holes in the bottom of the floor reinforcement. **NOTE:** The plates on the Bolt Plates should point toward each other, **(Figures 6 & 7)**.
  6. Select the driver side Center Support Bracket. Hang the Support Bracket from the outer Bolt Plate with (1) 10mm Large Flat Washer, (1) 10mm Lock Washer and (1) 10mm Hex Nut, **(Figure 8)**. Leave loose at this time. Next, repeat to attach the driver side Center Bracket to the inner 10mm Bolt Plate, **(Figure 9)**. Leave hardware loose at this time.
  7. Bolt the Center Bracket to the back of the Center Support Bracket with (2) 10mm x 30mm Hex Bolts, (4) 10mm STD Flat Washers, (2) 10mm Lock Washers and (2) 10mm Hex Nuts, **(Figure 10)**. Leave hardware loose at this time.
  8. Continue along the driver side to the rear of the vehicle. Locate the large factory hole in the bottom of the suspension mount, **(Figure 11)**. Insert (1) 12mm x 40mm Bolt Plate into the large hole in the suspension mount as described in **Step 2, (Figures 12A & 12B)**. Next, locate the factory hole in the bottom of the inner frame channel. Insert (1) 12mm x 40mm Bolt Plate, (no welded washer), into the hole in the bottom of the frame channel, **(Figures 13 & 12A)**.
  9. Select the driver side Rear Support Bracket. Hang the Bracket from the outer Bolt Plate with (1) 12mm Large Flat Washer, (1) 12mm Lock Washer and (1) 12mm Hex Nut, **(Figure 14)**. Leave hardware loose at this time. Repeat to attach the driver side Rear Mounting Bracket to the inner 12mm Bolt Plate in the bottom of the frame channel, **(Figure 15)**. Leave hardware loose at this time.
  10. Bolt the Rear Mounting Bracket to the front of the Support Bracket with (2) 10mm x 30mm Hex Bolts, (4) 10mm STD Flat Washers, (2) 10mm Lock Washers and (2) 10mm Hex Nuts, **(Figure 15)**. Leave hardware loose at this time.
  11. Select a Running Board. Slip (6)6mm T-bolts into each bottom channel **(Figure 16)**. Carefully position the Running Board onto the (3) Mounting Brackets. **IMPORTANT:** Do not slide, (front to back), the Running Board on the Brackets or damage to the finish may result. Attach the Running Board to each Mounting Brackets with (2) 6mm T-bolts, (2)6mm flat washers and (2)6mm lock nuts **(Figures 17)**. Do not tighten at this time.
  12. Level and adjust Running Board properly and tighten all hardware. **IMPORTANT: Before tightening the front and rear Bracket hardware, make sure that 12mm Bolt Plates are in the center of the large holes in the floor panel.**
  13. Repeat **Steps 2 – 12** for passenger side Running Board installation.
  14. Do periodic inspections to the installation to make sure that all hardware is secure and tight
- To protect your investment**, wax this product after installing. Regular waxing is recommended to add a protective layer over the finish. Do not use any type of polish or wax that may contain abrasives that could damage the finish.
- For Polished Finishes:** Aluminum polish may be used to polish small scratches and scuffs on the finish. Mild soap may be used also to clean the Running Board.

**For Black Finishes:** Mild soap may be used to clean the Running Board.

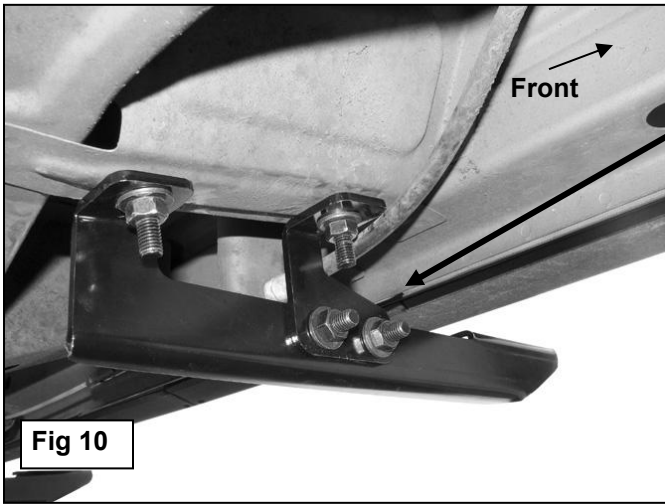
### Driver Side Installation Pictured



### Driver Side Installation Pictured



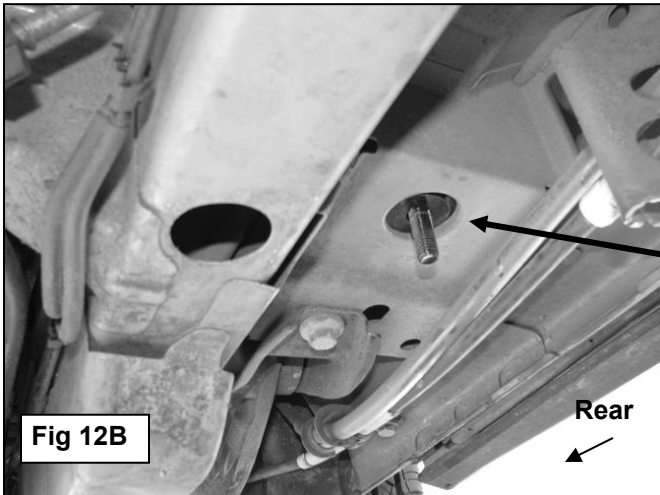
### Driver Side Installation Pictured



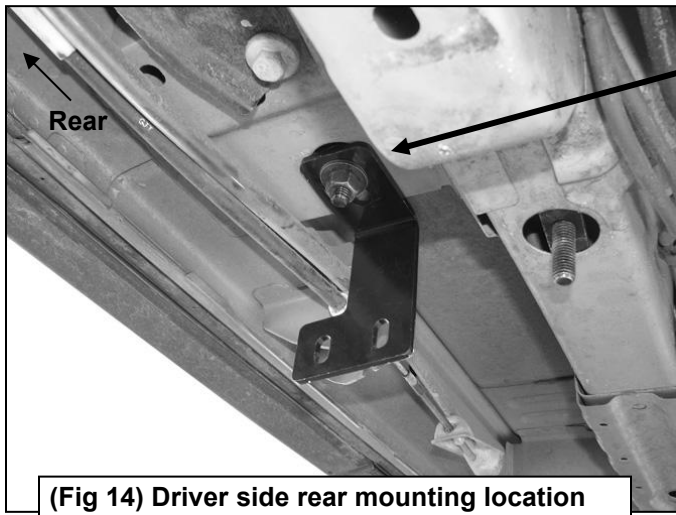
- (2) 10mm x 30mm Hex Bolts
- (4) 10mm STD Flat Washers
- (2) 10mm Lock Washers
- (2) 10mm Hex Nuts



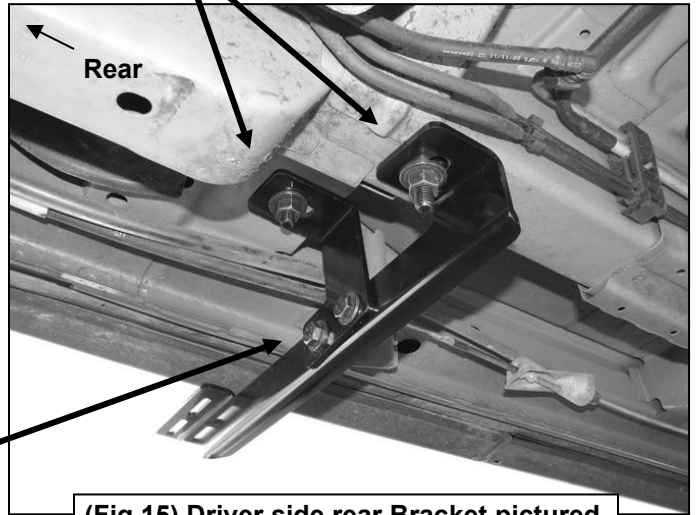
(Fig 11) Driver side rear mounting location



### Driver Side Installation Pictured



12mm Flat Washers  
12mm Lock Washers  
12mm Hex Nuts



(2) 10mm x 30mm Hex Bolts  
(4) 10mm STD Flat Washers  
(2) 10mm Lock Washers  
(2) 10mm Hex Nuts

(Fig 15) Driver side rear Bracket pictured

Slip 6mm T-bolts into  
the bottom channel

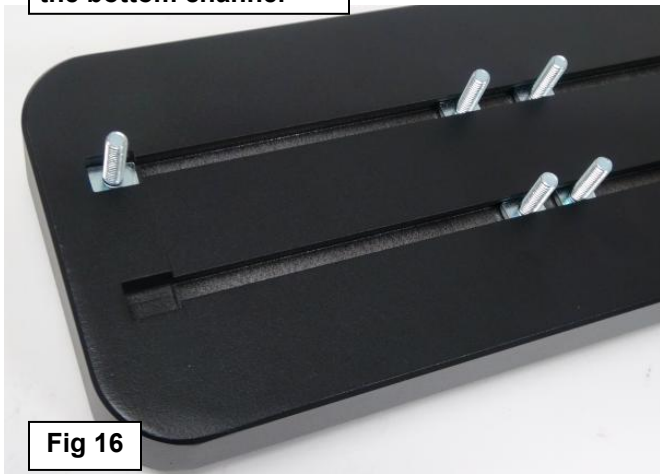
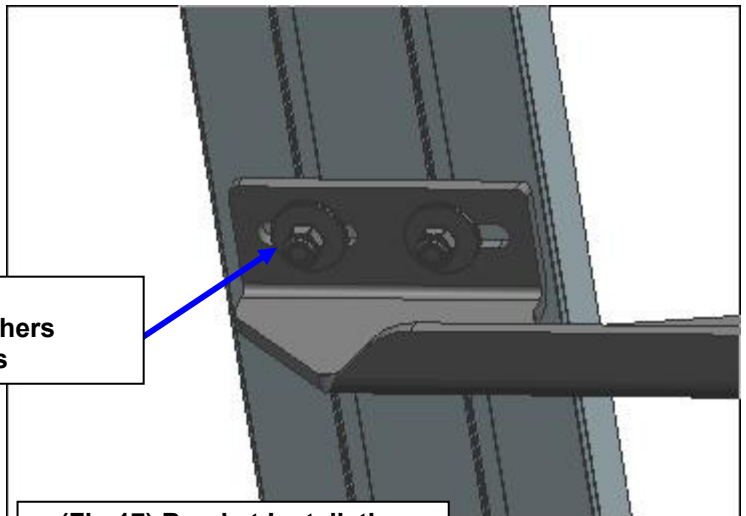


Fig 16

(2)6mmT-bolts  
(2)6mm Flat Washers  
(2)6mmLock nuts



(Fig 17) Bracket Installation