

Hardware:

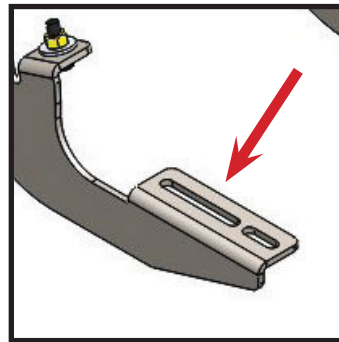
Bracket (A).....	6
Bracket (B).....	2
Bracket (C).....	1
Bracket (D).....	1
Zinc 8mm Hex Bolt - 1.25 x 25mm.....	7
Zinc 8mm U-Nut - 20mm center of hole to edge.....	4
Zinc 8mm Serrated Flange Nut.....	6
Zinc 8mm Washers - 24mm OD.....	14
Zinc 8mm Lock Washer.....	7
Black 8mm Hex Bolt - 1.25 x 25mm.....	8
Black 8mm Serrated Flange Nut.....	2
Black 8mm Washer - 24mm OD.....	9
Black 10mm Hex Bolt - 1.50 x 35mm.....	2
Black 10mm Washers - 22mm OD.....	2
Black 10mm Lock Washer.....	2

**STEP 1:**  
Each mounting bracket consist of 2 mounting holes. The upper large hole mounts to the body of the truck and the lower smaller hole to the pinch weld.



**STEP 4 (Drivers Side):**  
Insert black head bolt and washer through pinch weld hole and secure with locking nut and washer.

**STEP 2 (Drivers Side):**  
Insert spring loaded U nuts to the body of the truck for the third and fourth bracket.



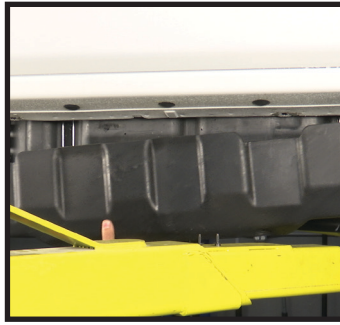
**STEP 5 (Drivers Side):**  
Place running board/ Step onto the top of the brackets and attach as directed.

**STEP 3 (Drivers Side):**  
Attached all four brackets to the drivers side. Use M8 bolt, washer and lock washer. Hand tightening all 4 upper mountings.

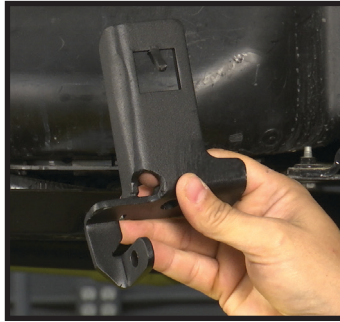


**STEP 6 (Drivers Side):**  
**Avoid using power or air tools.** Tighten pinch weld mounts first then upper bolts. Tighten to 20ft lbs torque to secure the board to the truck.

**STEP 7 (Passenger Side):**  
Remove plastic shield from DEF tank on passenger side of the truck.



**STEP 8 (Passenger Side):**  
First bracket (bracket C) has a tab that locates in the OE body mount hole located on the inside rocker panel.



**STEP 9 (Passenger Side):**  
Take bracket and feed between the body and the DEF tank, feel and move until you locate the tab into the OE hole. The bracket will hang once placed correctly.



**STEP 10 (Passenger Side):**  
The second bracket (Bracket D) attaches to the body with a Zinc bolt rather than the tab like the first bracket.



**STEP 11 (Passenger Side):**  
Take bracket and feed between the body and the DEF tank from the back of the tank. You'll be able to fit and hand tighten bolt through the bracket to the body.



**STEP 12 (Passenger Side):**  
Insert spring loaded U nuts to the body of the truck for the third and fourth bracket.



**STEP 13 (Passenger Side):**  
Attach two rear brackets to the passenger side. In the same manner as driver side brackets in steps 3-5.



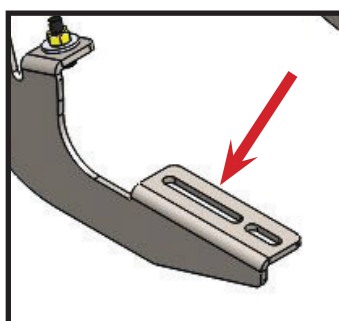
**STEP 14 (Passenger Side):**  
Use M8 bolt to align 2 piece bracket, insert at the side and hand tighten. Apply to both first and second bracket.



**STEP 15 (Passenger Side):**  
Insert M10 bolt and washer going up through board, truck pinch weld and through the 2 piece bracket.



**STEP 16 (Passenger Side):**  
Snug hardware for the first and second bracket. Tighten the bolt going up through the pinch weld first to pull the board into place.



**STEP 17 (Passenger Side):**  
Place running board/ Step onto the top of the brackets and attach as directed.



**STEP 18 (Passenger Side):**  
**Avoid using power or air tools.** Tighten pinch weld mounts first then upper bolts. Tighten all hardware to 20ft lbs torque to secure the board to the truck.