



Part # HFB-05-022

HD Roof Rails w/ Crossbars Ford Bronco, 2 Door

Possible Configurations:

1. Windshield Cover Brackets



2. Windshield Air Dam



GoRhino Light Bar Options (Sold separately) - Works with configuration #2 only

- 750723213CSS - Bright Series LED Lights, 32" Single Row LED Light Bar
- 751653212CSS - Blackout Combo Series LED Lights, 31.5" Single Row LED Light Bar with Amber Lighting

3. Windshield Air Dam with Air Dam Cover Plate



4. Windshield Air Dam with Light & Side Mount Brackets



Havoc Lasso Light 5in Round & Wire Harness Options - Works with configurations #2, #3 & #4 only

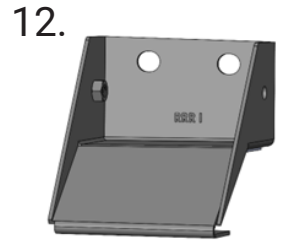
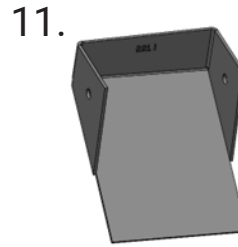
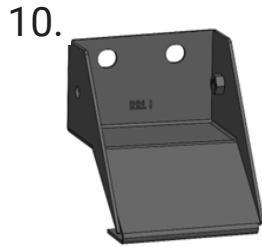
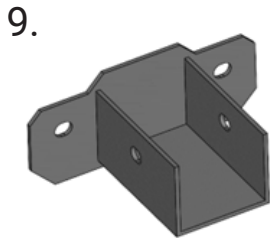
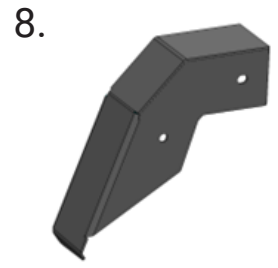
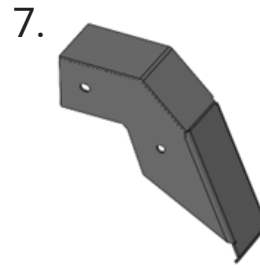
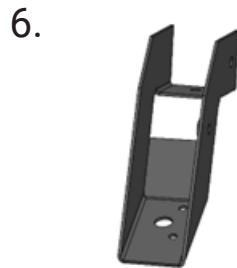
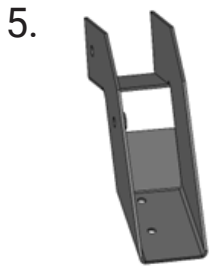
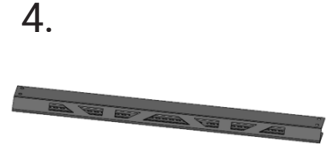
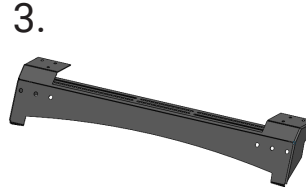
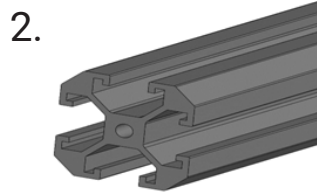
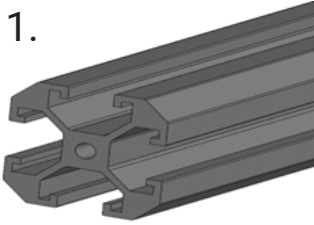
- HFB-01-005 - Lasso Light 5in Round (Sold individually)
- HFB-01-006 - Wiring Harness 8-Plug (Sold Individually)
- HFB-01-010 - Lasso Lights with 2-Plug Wiring Harness Kit (Includes 2 Lasso Lights and 1 2-Plug Wiring Harness)



HD Roof Rails w/ Crossbars Ford Bronco, 2 Door

Part # HFB-05-022

Components and Hardware:



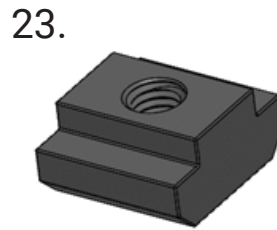
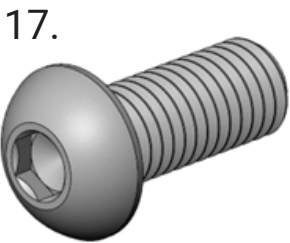
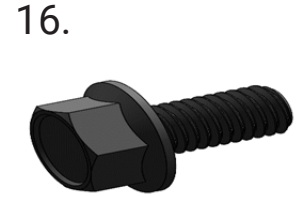
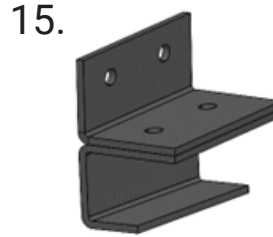
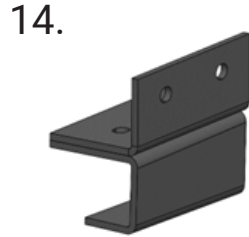
Components and Hardware:

1. Side Rail Extrusion	(2)
2. Crossbar Extrusion	(2)
3. Windshield Air Dam	(1)
4. Air Dam Cover Plate.....	(1)
5. Windshield Mounting Bracket LH	(1)
6. Windshield Mounting Bracket RH	(1)
7. Windshield Cover Bracket LH.....	(1)
8. Windshield Cover Bracket RH	(1)
9. Crossbar Bracket	(4)
10. Mounting Rear Bracket LH, RRL I.....	(1)
11. Mounting Rear Bracket Cover LH, RRL I.....	(1)
12. Mounting Rear Bracket RH, RRR I	(1)

Tools for Installation:

- 10mm Wrench
- 13mm Wrench
- 15mm Wrench
- 5mm Allen Wrench
- Long Flat Head Screwdriver

Components and Hardware:



Components and Hardware:

13. Mounting Rear Bracket Cover RH, RRR I.....	(1)
14. Support Rear Bracket LH, RRL	(1)
15. Support Rear Bracket RH, RRR.....	(1)
16. M8 Flanged Hex Head Bolt, 1.25 x 25mm.....	(14)
17. M8 Button Head Bolt, 1.25 x 20mm	(12)
18. M8 Flanged Hex Head Bolt, 1.25 x 18mm.....	(28)
19. M8 Flanged Button Head Bolt, 1.25 x 16mm	(6)
20. M8 Serrated Flange Nut, 1.25mm.....	(12)
21. M6 Serrated Flange Nut, 1mm	(4)
22. M8 Flat Washer	(18)
23. M8 T-Slot Nut.....	(36)
24. Rail Cap	(2)



HD Roof Rails w/ Crossbars Ford Bronco, 2 Door

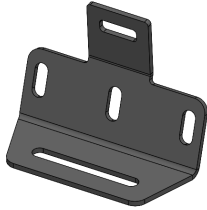
Part # HFB-05-022

Components and Hardware:

25.



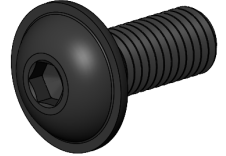
26.



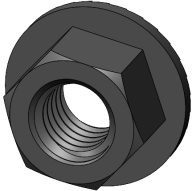
27.



28.



29.



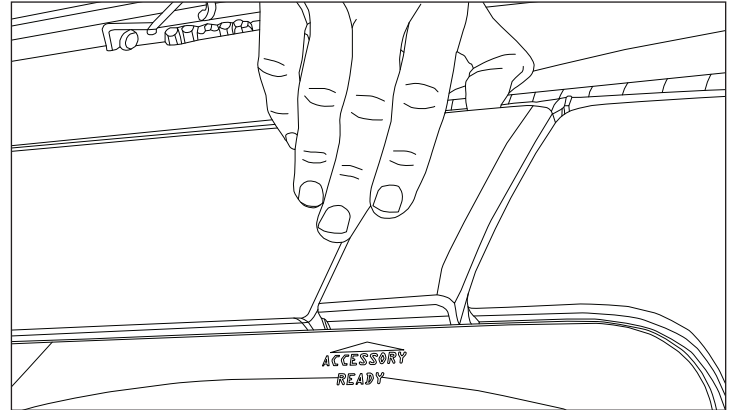
Components and Hardware:

25. Air Dam Light Bracket.....	(1)
26. Air Dam Side Mount Bracket.....	(2)
27. Air Dam Closeout Panel	(1)
28. M10 Flange Button Head, 1.25 x 25mm.....	(6)
29. M10 Serrated Flange Nut, 1.25mm.....	(6)

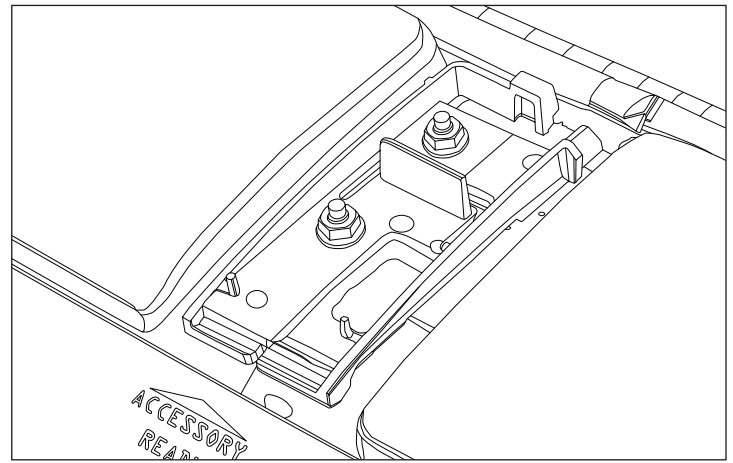
HD Roof Rails w/ Crossbars

1. Remove the window accessory clip cover on both sides of the vehicle.

NOTE: For easier installation, remove the 2 front panels.



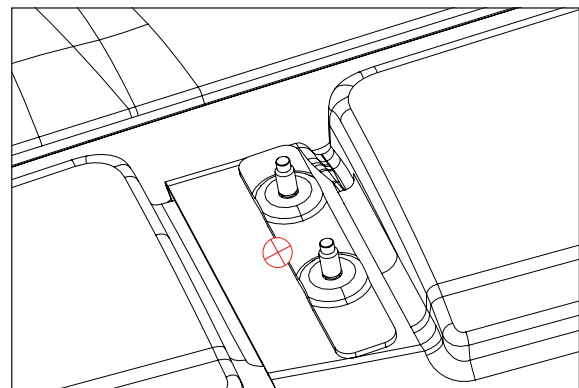
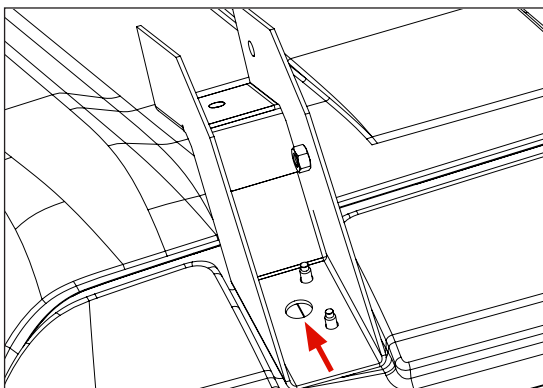
2. Remove the OE nuts with a 10mm wrench then remove the OE mounting plate. Repeat on other side of the vehicle.



3. If you are installing lights to your roof rail system, consider how you will route your wiring. In most cases it's most efficient to route your wiring through an access hole created in the upper passenger side windshield header. This access hole will allow you to run your wiring through the windshield header into the vehicle and ultimately back out to the battery and switches. Or, the hole can allow access the vehicle's pre-wired switch connections.

To create the access hole, first determine the size for the hole. If using the Havoc 8-Plug Harness Kit (HFB-01-006), make a 7/16" diameter hole. If running any other harness through the hole, the hole diameter should be approximately 1/16" larger than the diameter of your harness. Otherwise, if only accessing the vehicle's pre-wired switch connections, the hole should be 5/16" diameter. Next, place Windshield Mounting Bracket RH (#6), into position over the two studs of the passenger side windshield header. Use a marker to mark the inner circle of the bracket on to the windshield header. Remove the bracket and draw a cross-mark through the center of the circle. At the center cross-mark, carefully drill out the indicated hole just deep enough to clear the outer sheet metal. Be careful not to drill too deep that you pierce the inner sheet metal or internal wiring.

Once the Windshield Mounting Bracket RH (#6) is installed, you can run your wiring through the bracket hole and the access hole. Use an RTV silicone sealant to seal around the hole and wiring. Follow the wiring instructions included with your wire harness.



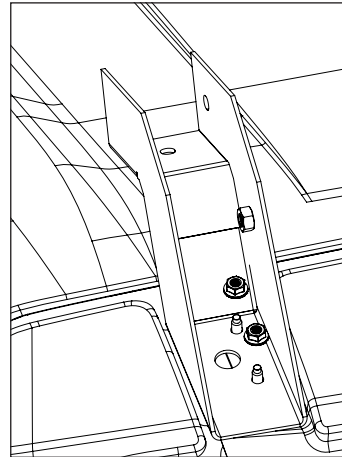
HD Roof Rails w/ Crossbars

4. Install Windshield Mounting Brackets LH (#5) on the left side using M6 Serrated Flanged Nuts (#21).

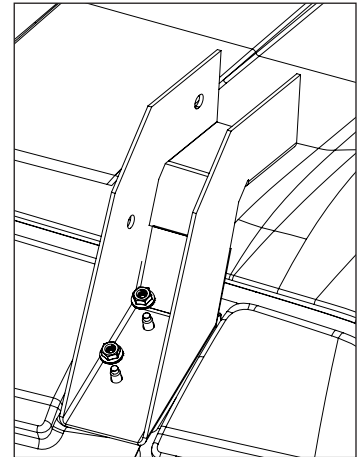
Repeat this operation on the right side with Windshield Mounting Brackets RH (#6).

NOTE: Loosely fasten hardware until all parts are assembled. If you are installing lights, this is the point that you should start your wiring. Access the vehicle's pre-wired switch connections through the access hole you created in the previous step. Or, route your wire harness through the access hole to the battery and switch(es). Again, use an RTV silicone sealant to seal around the hole and wiring.

Right Side



Left Side

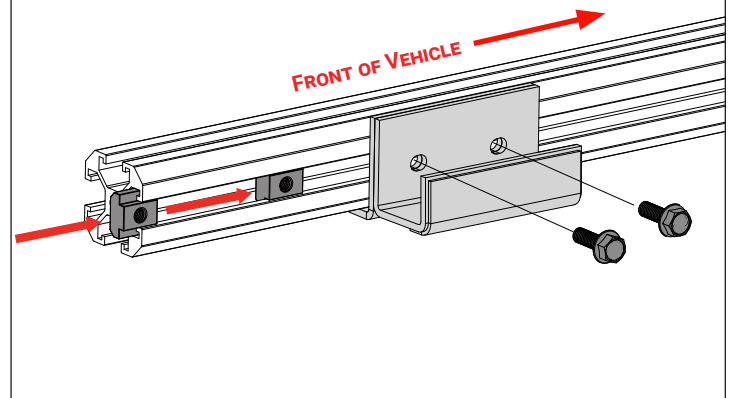


5. Slide two T-slot Nuts (#23) into the bottom channel of Side Rail Extrusion (#1). Position the Support Rear Bracket LH (#14) to the Side Rail Extrusion (#1) as shown. Slide the installed M8 T-Slot Nut (#23) to align with the holes in the bracket then loosely install with M8 Flanged Hex Head Bolt (#16). Use a Long Flat Head Screwdriver or similar tool to slide and align the T-slot nuts.

Repeat this operation on the right side with Support Rear Bracket RH (#15).

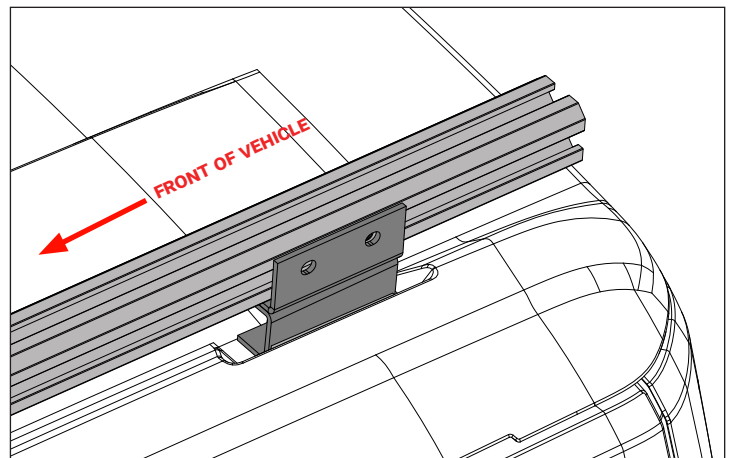
NOTE: The Support Brackets look very similar. Please see the marking on each bracket noted in the component list to ensure you are using the correct bracket in each step.

IMAGE SHOWS BOTTOM VIEW OF LEFT SIDE EXTRUSION



6. With the help of a friend, position the left extrusion and bracket assembly from the previous step into the roof pocket on the left side with the front end of the extrusion resting in the Windshield Mounting Bracket LH (#5).

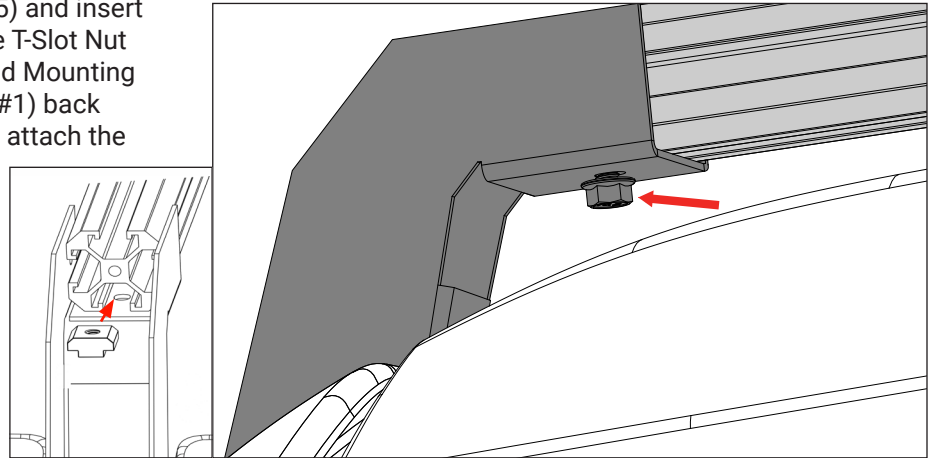
Repeat this operation on the right side with the right side extrusion and bracket assembly with the front end of the extrusion resting in the Windshield Mounting Bracket RH (#6).



HD Roof Rails w/ Crossbars

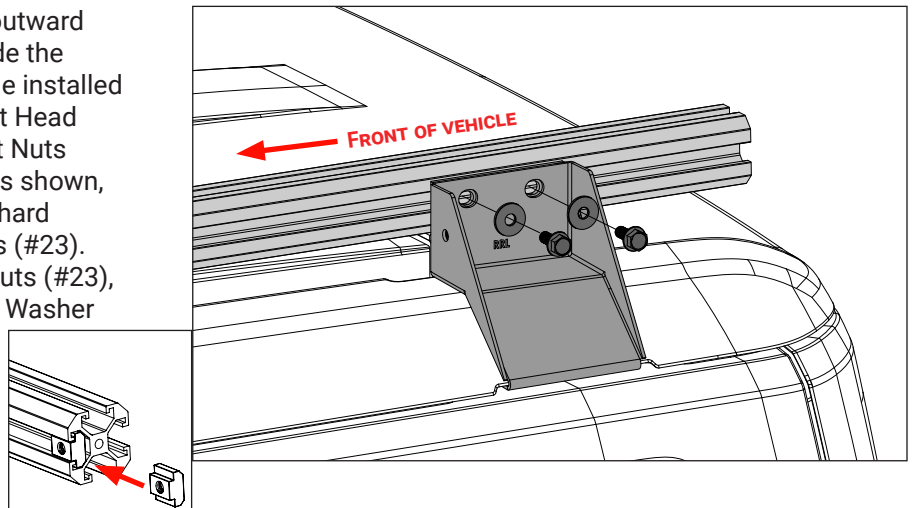
7. Lift the front end of the Side Rail Extrusion (#1), on the left side, out of the Windshield Mounting Bracket LH (#5) and insert a T-Slot Nut (#23) into the bottom channel. Slide the T-Slot Nut to align with the hole in the bottom of the Windshield Mounting Bracket LH (#5) then place the Side Rail Extrusion (#1) back in to Windshield Mounting Bracket LH (#5). Loosely attach the Side Rail Extrusion (#1) to the Windshield Mounting Bracket LH (#5) using the installed T-Slot Nut (#23) and M8 Flanged Hex Head Bolt, 18mm (#18).

Repeat this operation on the right side.



8. Slide two T-slot Nuts (#23), from the rear, into the outward facing channel of the left Side Rail Extrusion (#1). Slide the installed T-Slot Nuts (#23) to align with the holes in the installed Support Rear Bracket LH (#14). Again, use a Long Flat Head Screwdriver or similar tool to slide and align the T-Slot Nuts (#23). Position the Mounting Rear Bracket LH (#10) as shown, making sure the bracket hooks into the recess of the hard top and that the holes align to the installed T-slot Nuts (#23). Loosely install the bracket using the installed T-Slot Nuts (#23), M8 Flanged Hex Head Bolt, 25mm (#16), and M8 Flat Washer (#22).

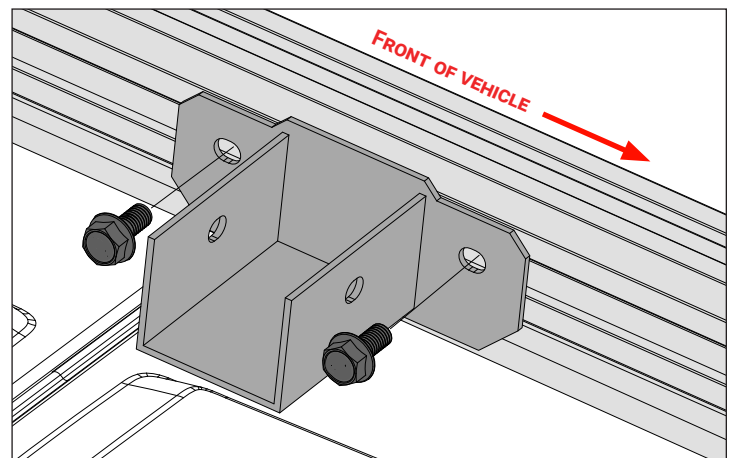
Repeat this operation on the right side with Mounting Rear Brackets RH (#12) and Support Rear Brackets RH (#15).



9. Slide four T-slot Nuts (#23), from the rear, into the inward facing channel of the left Side Rail Extrusion (#1). Position Crossbar Bracket (#9) to the inward face of the left Side Rail Extrusion (#1) then slide the two forward most T-slot Nuts (#23) to align with the holes in the bracket. Loosely attach Crossbar Bracket (#9) to the Side Rail Extrusion (#1) using installed T-Slot Nut (#23) and M8 Flanged Hex Head Bolt (#18). Continue to loosely assemble one more Crossbar Brackets (#9) to the same channel in the same manor.

Repeat this operation to attach two Crossbar Brackets (#9) on the inward facing channel of the right Side Rail Extrusion (#1).

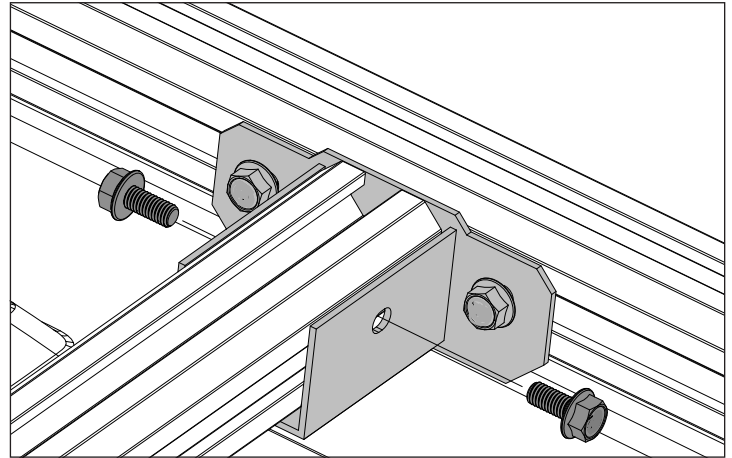
Slide the two installed the Crossbar Brackets (#9) on the left side to where you would like Crossbar Extrusions (#2) installed. Slide the two Crossbar Brackets (#9) on the right side to align with those on the left.



NOTE: Avoid positioning cross bars where they will interfere with the ability to remove the OE Freedom Panels.

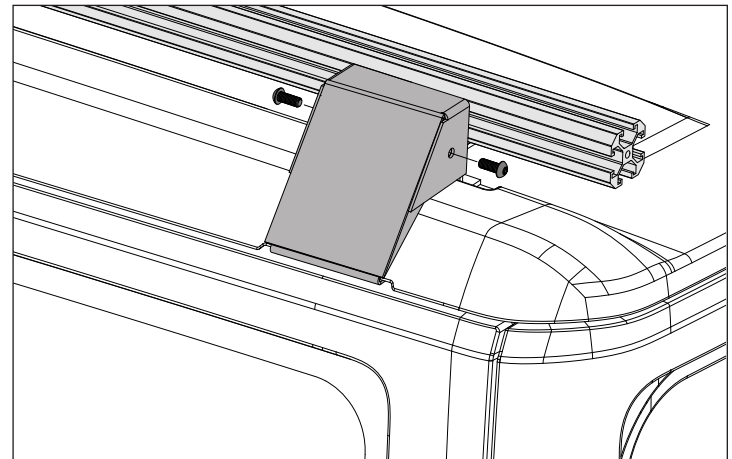
HD Roof Rails w/ Crossbars

10. Slide two T-slot Nuts (#23) into the same channel of the Crossbar Extrusion (#2) at opposite ends. Slide two additional T-slot Nuts (#19) into the opposing channel of the previous two T-slot Nuts; Again, one on each opposite end. With the installed T-slot Nuts facing front and rear, position the Crossbar Extrusion (#2), into the Crossbar Brackets (#9). Slide the four T-slot Nuts (#23) to align with the holes in the Crossbar Bracket (#9), then loosely attach with M8 Flanged Hex Head Bolt (#18). Complete this for the other Crossbar Extrusion (#2).

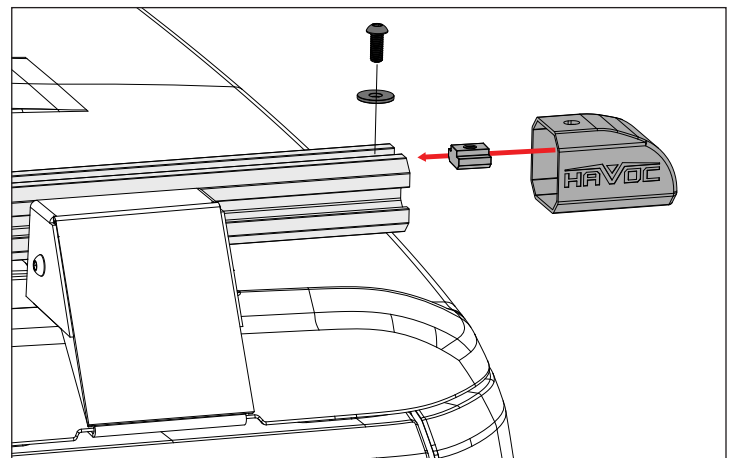


11. On the left side, install Mounting Rear Bracket Cover (#11) using M8 Flanged Button Head Bolt (#19). Be careful to use the correct part in the correct location as these parts look similar.

Repeat this operation on the right side with Mounting Rear Bracket Cover RH (#13).



12. Slide T-slot Nut (#23), from the rear, into the top channel of the left Side Rail Extrusion (#1). Position Rail Cap (#24) over Side Rail Extrusion (#1). Slide the installed T-Slot Nut (#23) to align with the hole in the Rail Cap (#24). Install Rail Cap (#24) using installed M8 T-Slot Nut (#23), M8 Flat Washer (#22), and M8 Button Head Bolt (#17).



HD Roof Rails w/ Crossbars

NOTE: If completing Configuration 1, proceed to the following step. Otherwise, skip to Step 14.

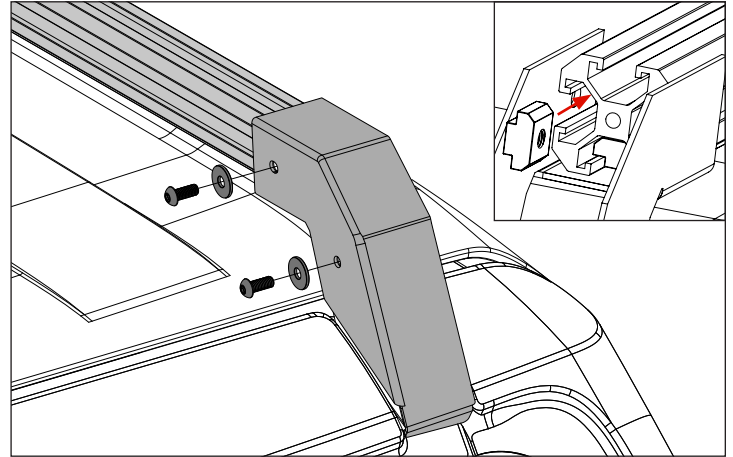
Configuration 1:

13. Slide T-slot Nut (#23), from the front, into the inward facing channel of the left Side Rail Extrusion (#1) and align to the hole in the Windshield Mounting Brackets LH (#5).

Position Windshield Cover Bracket LH (#7) over Windshield Mounting Bracket LH (#5) and left Side Rail Extrusion (#1).

Install Windshield Cover Bracket LH (#7) to Windshield Mounting Bracket LH (#5) using installed M8 T-Slot Nut (#23), M8 Button Head Bolt, (#17), and M8 Flat Washer (#22).

Repeat this operation on the right side using Windshield Cover Bracket RH (#8) and Windshield Mounting Bracket RH (#6).

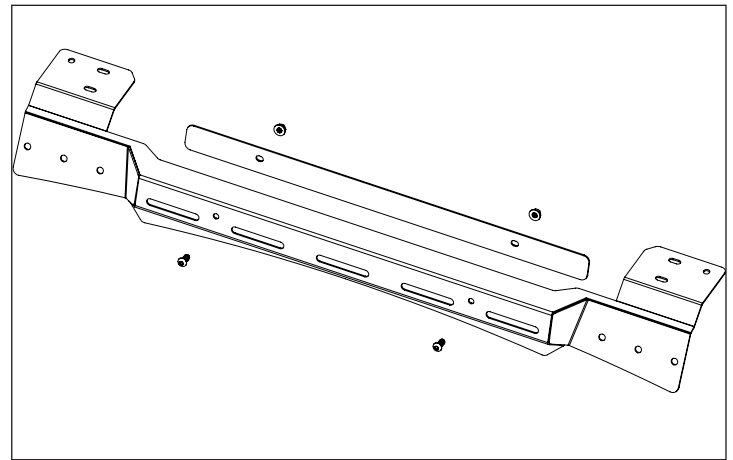


NOTE: Tighten all hardware on parts you installed. Installation is complete.

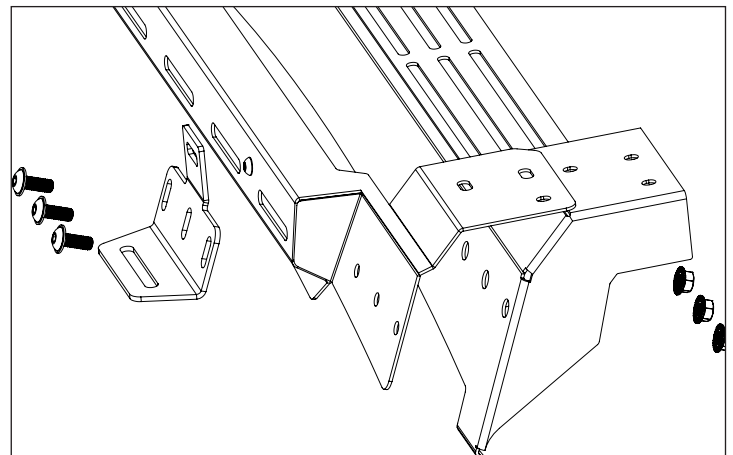
Configurations 2, 3, or 4:

14a. If you are adding lights to the center slots of the Air Dam Light Bracket (#25), install your lights now.

14b. If you are not adding lights to the center slots of the Air Dam Light Bracket (#25), attach the Air Dam Closeout Panel (#27) to the Air Dam Light Bracket (#25) using M8 Button Head Bolt (#17) and M8 Serrated Flange Nut (#20).

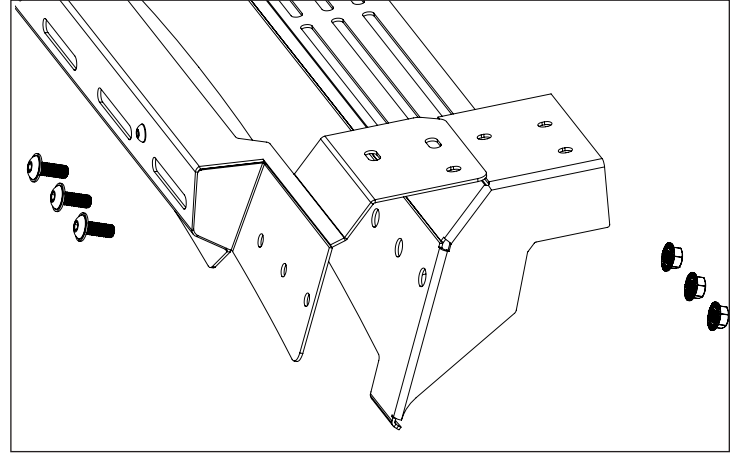


15a. If you are adding lights to the Air Dam Side Mount Bracket (#26), attach the Air Dam Side Mount Bracket (#26) to the Air Dam Light Bracket (#25) and Windshield Air Dam (#3), using M10 Flange Button Head (#28) and M10 Serrated Flange Nut (#29). Next install your lights into the horizontal slot of the Air Dam Side Mount Bracket (#26). Repeat this operation on the other side.



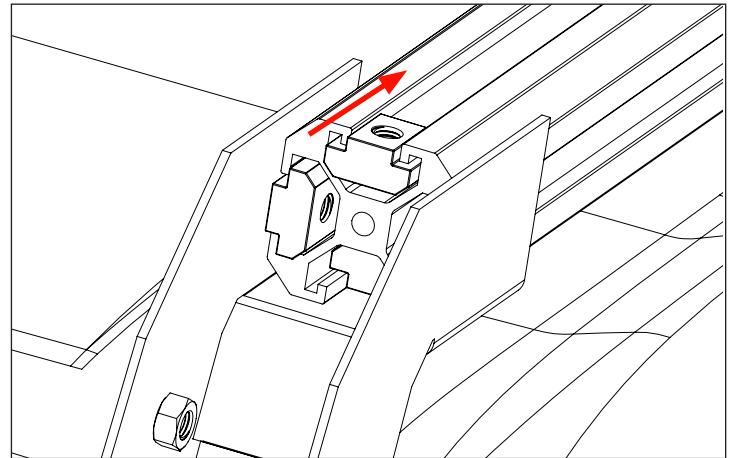
HD Roof Rails w/ Crossbars

15b. If you are not adding lights to the Air Dam Side Mounting Brackets (#26), attach the Air Dam Light Bracket (#25) to the Windshield Air Dam (#3) using M10 Flange Button Head (#28) and M10 Serrated Flange Nut (#29).



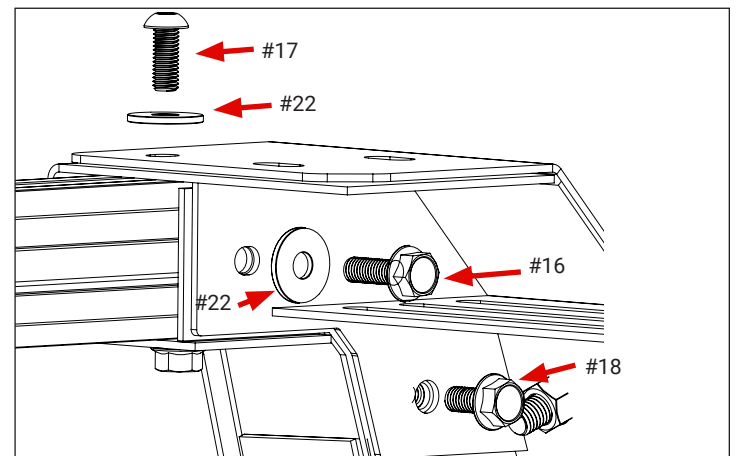
16. Slide a M8 T-Slot Nut (#23) into the top and inward facing channels of the left Side Rail Extrusion (#1). Slide the inward facing T-Slot Nut to align with the hole in the Windshield Mounting Bracket LH (#5). Repeat this operation on the right side Side Rail Extrusion (#1).

NOTE: Up to this step, all hardware on the vehicle mounted components should be loose to allow the Windshield Air Dam (#3) to properly align and mount.



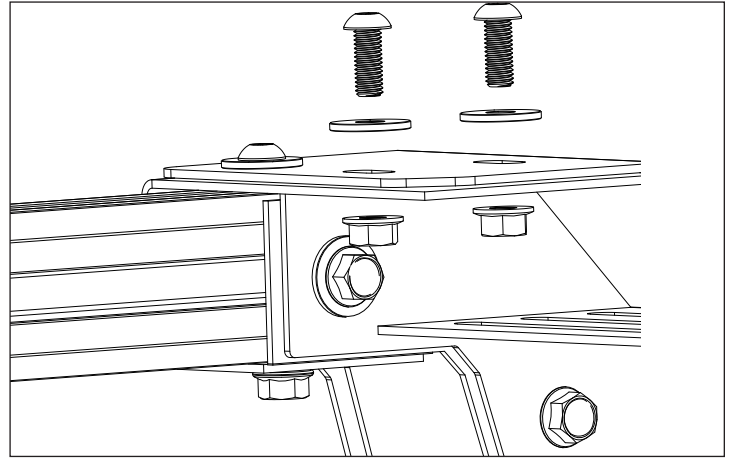
17. With the help of a friend, position the Windshield Air Dam (#3), with all assembled components, to the Windshield Mounting Brackets (#5 & #6). Attach the Windshield Air Dam (#3) using M8 Flanged Hex Head Bolt (#18), M8 Flanged Hex Head Bolt (#16), M8 Button Head Bolt (#17) and M8 Flat Washer (#22).

NOTE: If installing the Air Dam Cover Plate (#4), DO NOT install the M8 Flanged Hex Head Bolt (#16) until Step 18b.

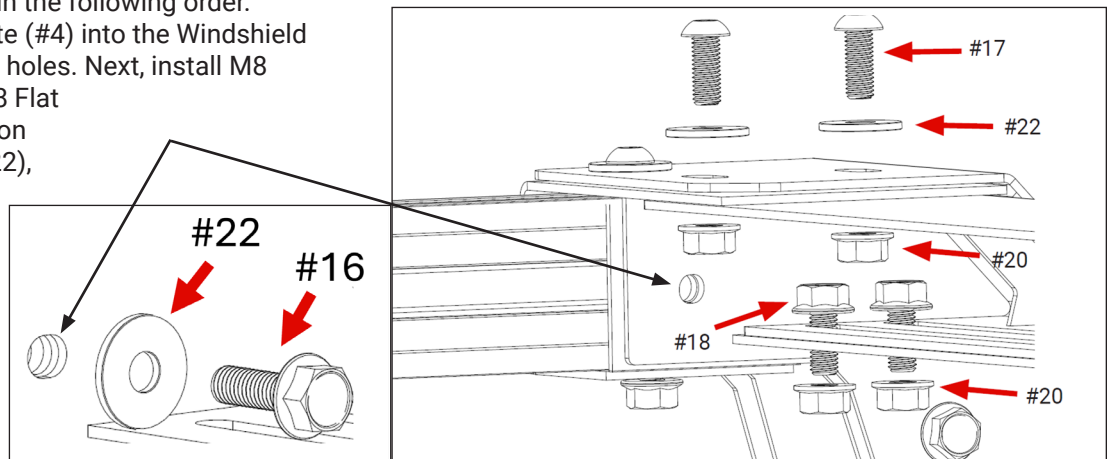


HD Roof Rails w/ Crossbars

18a. If you are adding a light bar, first, complete attachment of the Windshield Air Dam (#3) with M8 Button Head Bolt (#17), M8 Washer (#22), and M8 Serrated Flange Nut (#20). Then, install your light bar to the Windshield Air Dam (#3).



18b. If not installing a light bar, attach the Air Dam Cover Plate (#4) to the Windshield Air Dam (#3) in the following order. First, position the Air Dam Cover Plate (#4) into the Windshield Air Dam (#3) and align the mounting holes. Next, install M8 Flanged Hex Head Bolt (#16) and M8 Flat Washer (#22). Lastly, install M8 Button Head Bolt (#17), M8 Flat Washer (#22), M8 Flanged Hex Head Bolt (#18) and M8 Serrated Flange Nut (#20).



19. **Tighten All Hardware.** Installation complete.