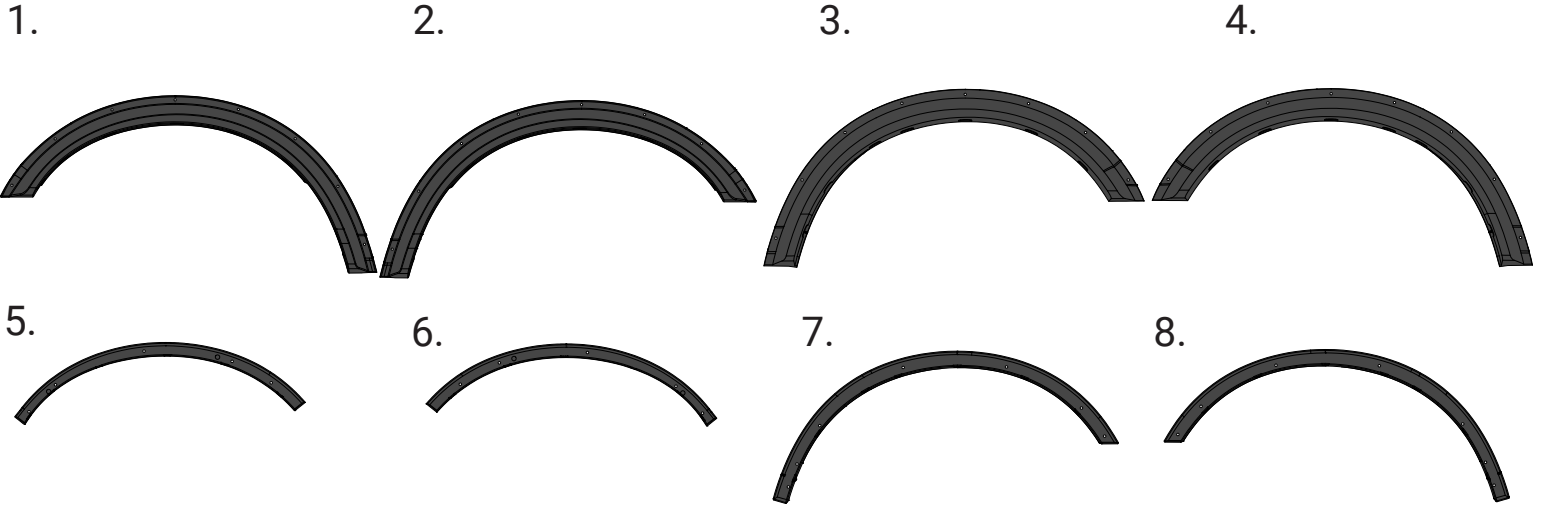




# EVOC Fender Flares Ford Bronco, 2-Door

Part # HFB-04-002

## Components and Hardware:



## Components and Hardware:

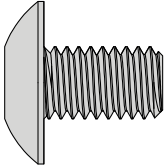
- 1. Front Left Flare.....(1)
- 2. Front Right Flare.....(1)
- 3. Rear Left Flare.....(1)
- 4. Rear Right Flare.....(1)
- 5. Front Left Inner Piece .....(1)
- 6. Front Right Inner Piece .....(1)
- 7. Rear Left Inner Piece .....(1)
- 8. Rear Right Inner Piece .....(1)

## Tools for Installation:

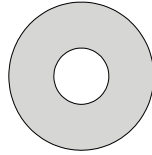
- Utility Knife
- #2 Phillips Head Screwdriver
- Wrench Set
- Socket Wrench Set
- Grease Pencil
- Masking Tape

## Components and Hardware:

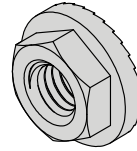
9.



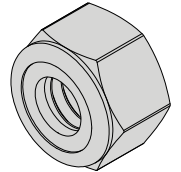
10.



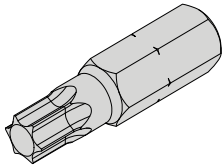
11.



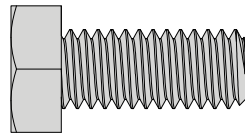
12.



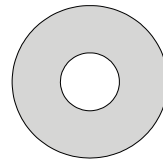
13.



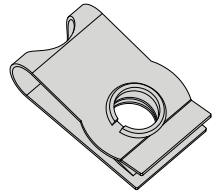
14.



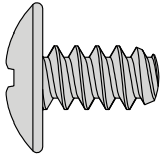
15.



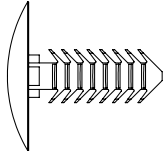
16.



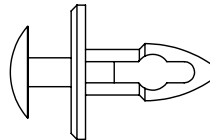
17.



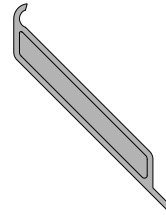
18.



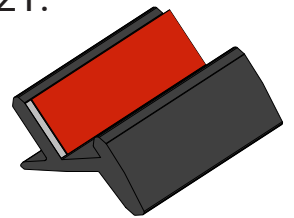
19.



20.



21.



## Components and Hardware:

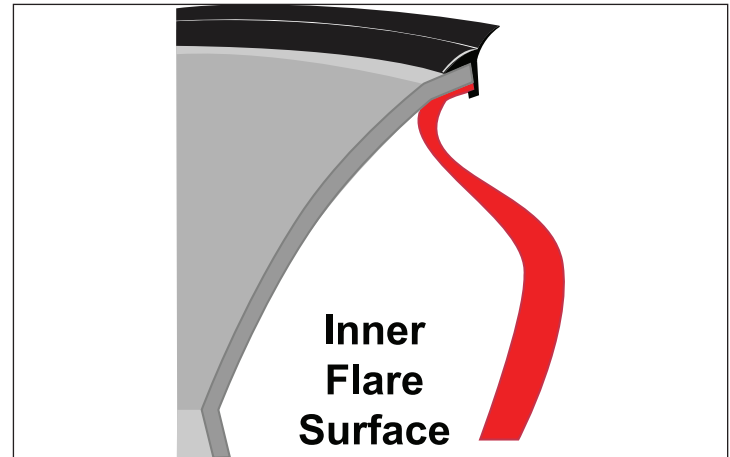
9. M5-.8 x 9.5mm SS Buttonhead Screw.....	(32)
10. #10 SS Washer.....	(32)
11. M5 x .8 Serrated Flange Hex Nut.....	(32)
12. 5/16-18 SS Nylock Nut .....	(12)
13. T-30 Torx Bit.....	(1)
14. 5/16-18 x 3/4" Hex Head Screw.....	(12)
15. 5/16 x 1" SS Fender Washer.....	(24)
16. #10 U Clip.....	(28)
17. #10 x 5/8" Phillips SS Truss Screw .....	(28)
18. 1/4" Panel Retainer.....	(6)
19. 8 x 20mm Black Nylon Retainer .....	(2)
20. Edge Trim Tool .....	(1)
21. Edge Trim .....	(408in)

## EVOC Fender Flares, Ford Bronco 2-Door

### Edge Trim Installation

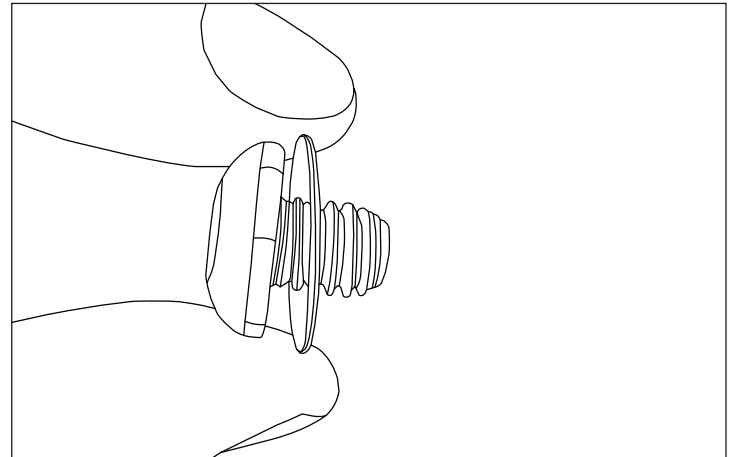
1. Peel two to three inches of red vinyl backing away from Edge Trim(#21) tape. Applying the adhesive side of the Edge Trim(#21) to the inner side of the flare, affix the Edge Trim(#21) to the top edge of the flare (the portion that comes in contact with the vehicle).

Press Edge Trim(#21) into place along the top edge of the flare in one-foot increments, removing the red vinyl backing as you continue to work your way around the top edge of the flare.

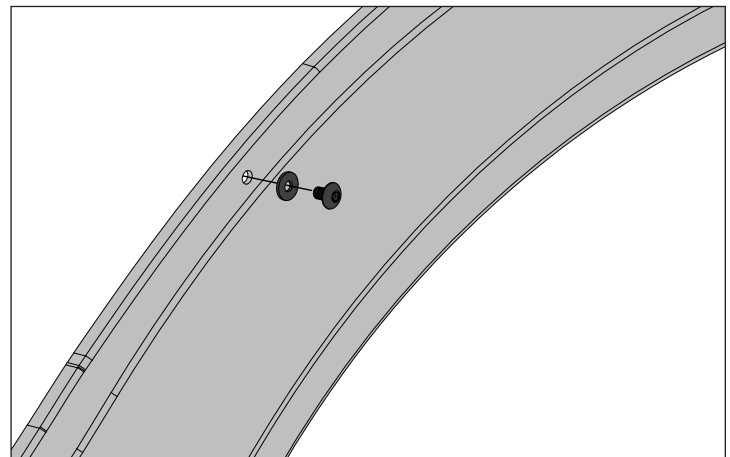


### Decorative Hardware Installation

2. Put a #10 Washer(#10) on each Buttonhead Screw(#9).

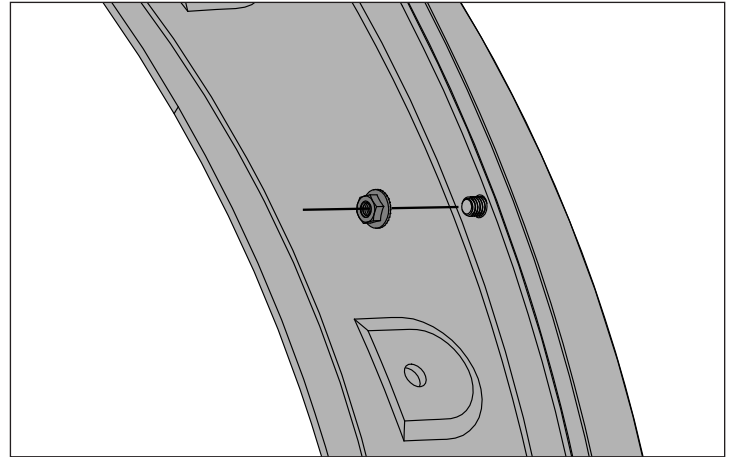


3. Put each Buttonhead Screw(#9)/#10 Washer(#10) combination through a pocket hole in the flare, Screw head and Washer on the outside.



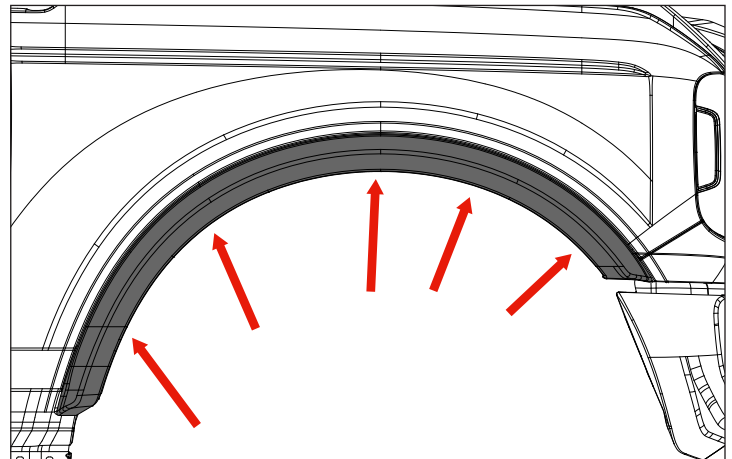
## EVOC Fender Flares, Ford Bronco 2-Door

4. Place a Flange Hex Nut(#11) over the end of each Buttonhead Screw(#9) and tighten, using a 1/2" wrench for the Flange Hex Nut(#11) and the supplied Torx Bit (#13) for the Buttonhead Screw(#9). Repeat for remaining pockets. Complete Steps 1-4 for each flare.

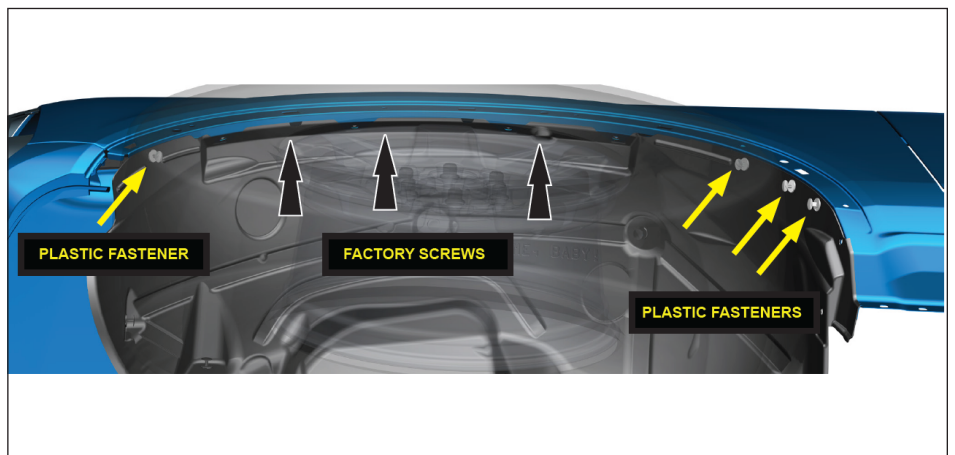


### Front Flare Installation - Passenger's Side

5. Twist (5) quarter turn fasteners. Firmly pull on flare to remove.

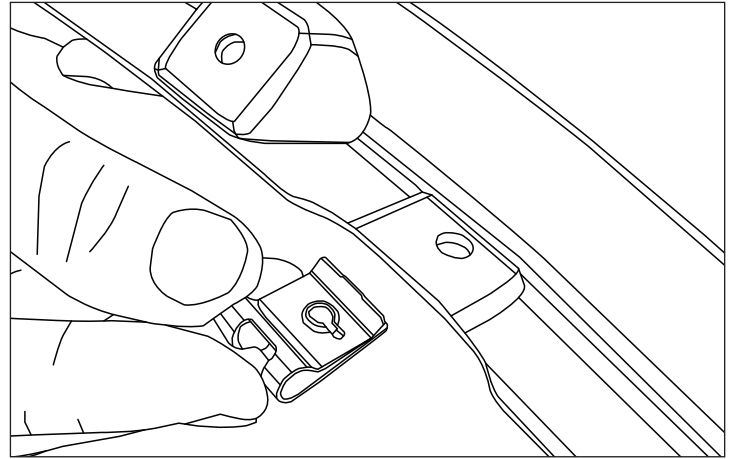


6. Remove (4) factory plastic fasteners and (3) factory screws to access backside of fender.

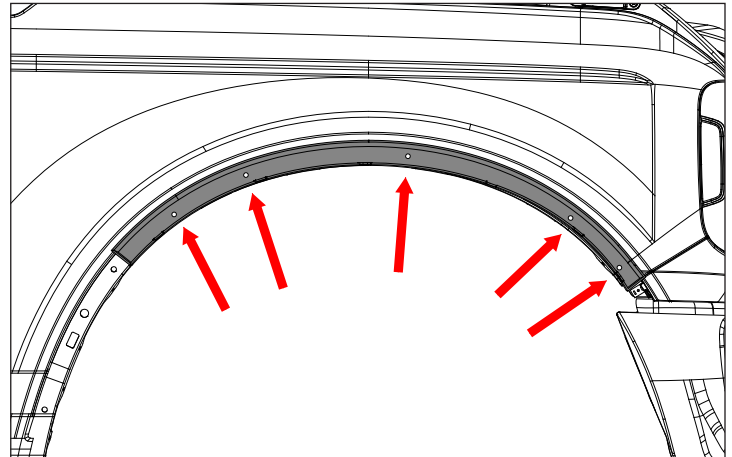
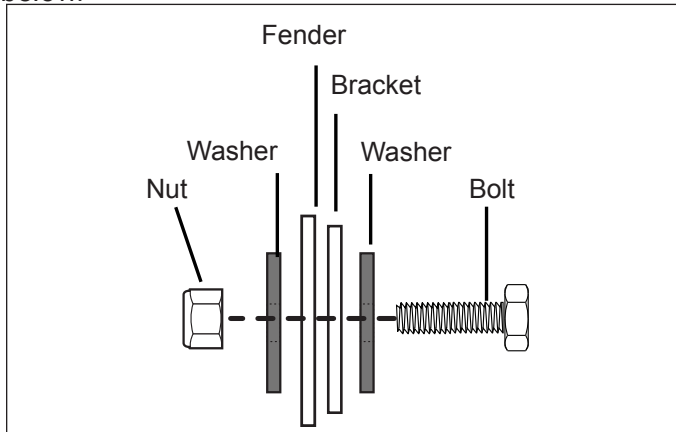


# EVOC Fender Flares, Ford Bronco 2-Door

7. Verify the U-Clips(#10) are already installed on the inner brackets.

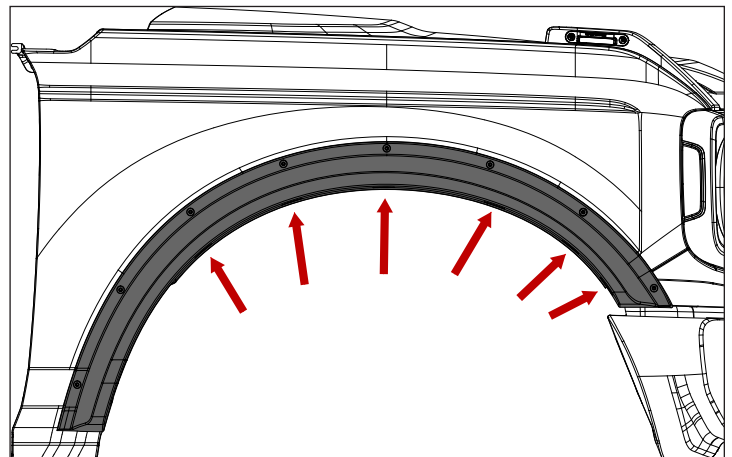


8. Install inner bracket using (5) Hex Head Screws(#14), (10) Fender Washers(#15), and (5) Nylock Nuts(#12). See diagram below.



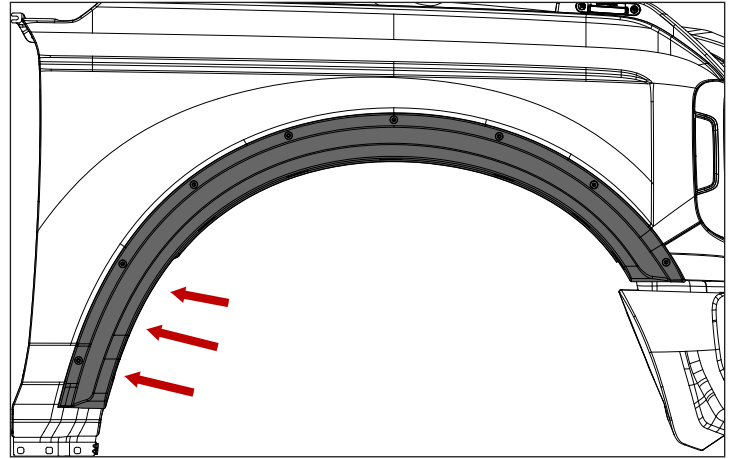
**NOTE:** Ensure that the Edge Trim(#21) is seated correctly before proceeding.

9. Install Front Right Flare(#2) using (6) Phillips Truss Screws(#17).



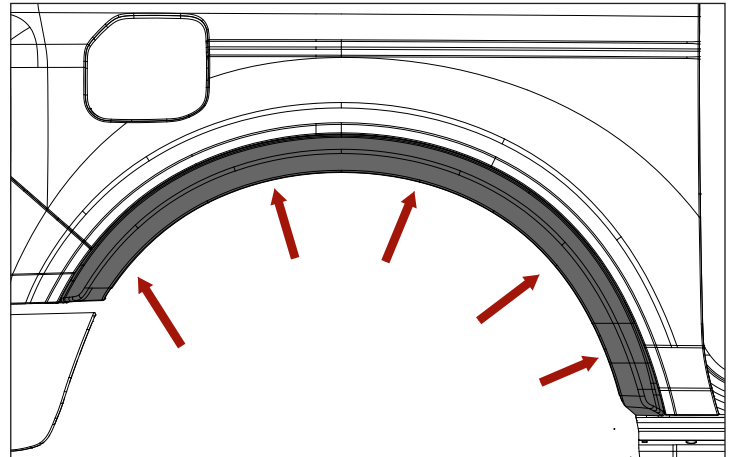
## EVOC Fender Flares, Ford Bronco 2-Door

10. Install (3) Panel Retainers(#18). Reinstall factory fasteners removed in Step 6. Front Right Flare(#2) installation complete. Repeat on Driver's Side using Front Left Flare(#1).

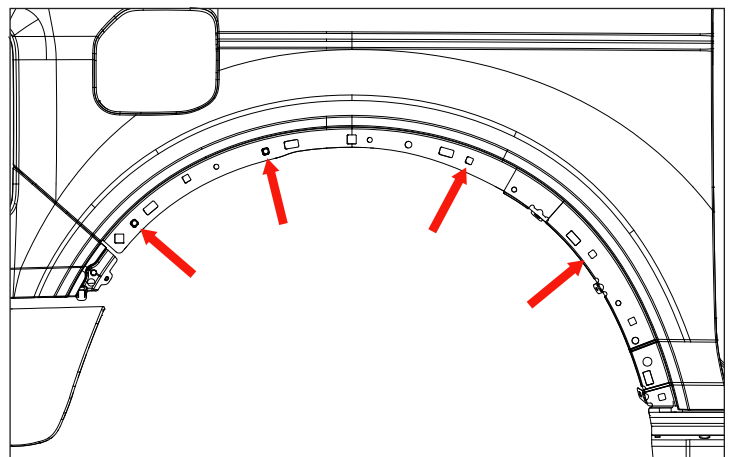


### Rear Flare Installation - Passenger's Side

11. Twist (5) quarter turn fasteners. Firmly pull on flare to remove.

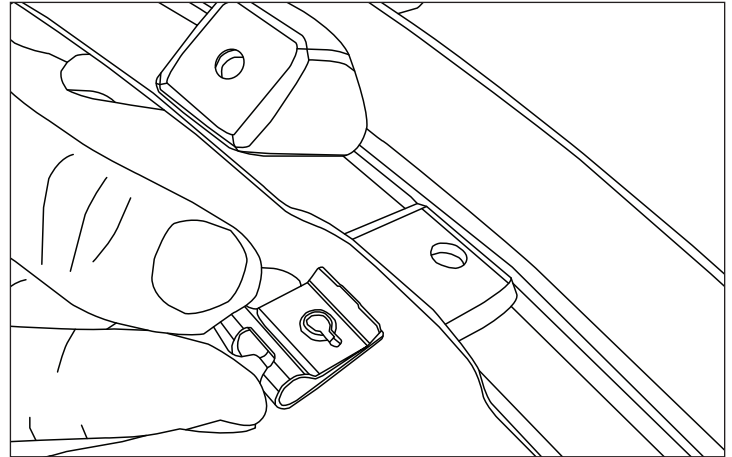


12. Remove (4) factory body bolts and retain.

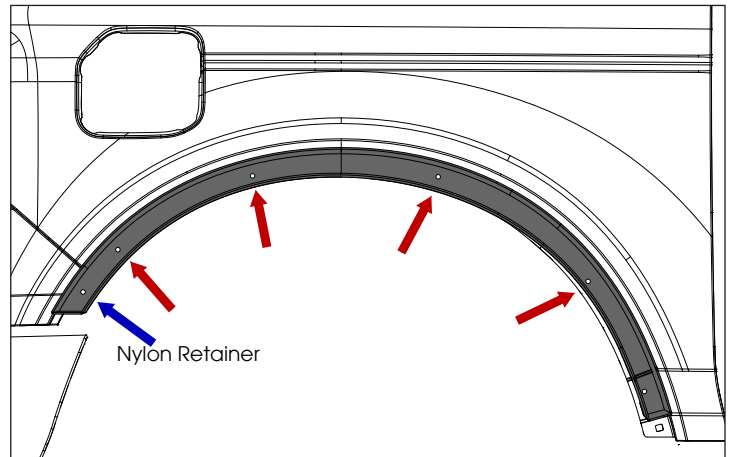


# EVOC Fender Flares, Ford Bronco 2-Door

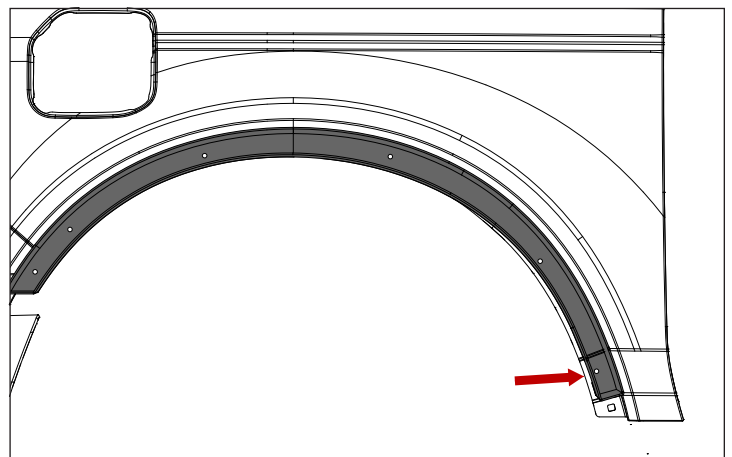
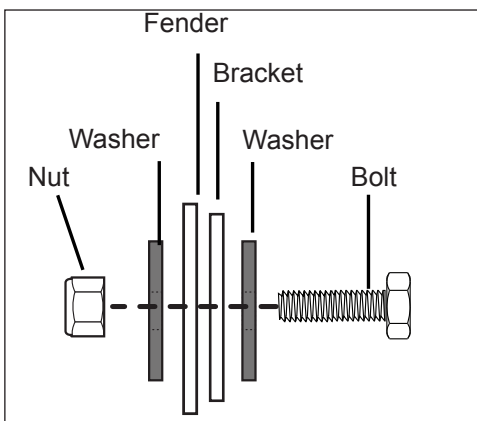
13. Verify the U-Clips(#10) are already installed on the inner brackets.



14. Install inner bracket using (4) factory body bolts, and (1) Nylon Retainer(#19).



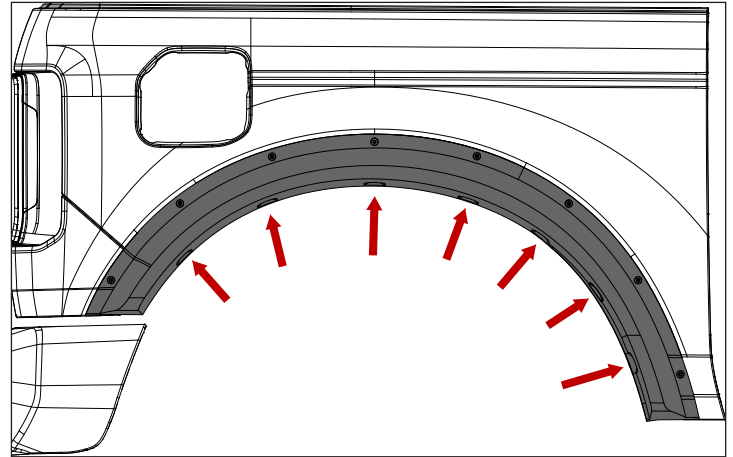
15. Install (1) Hex Head Screw(#14), (1) Fender Washer(#15), and (1) Nylock Nut(#12). See diagram below.



## EVOC Fender Flares, Ford Bronco 2-Door

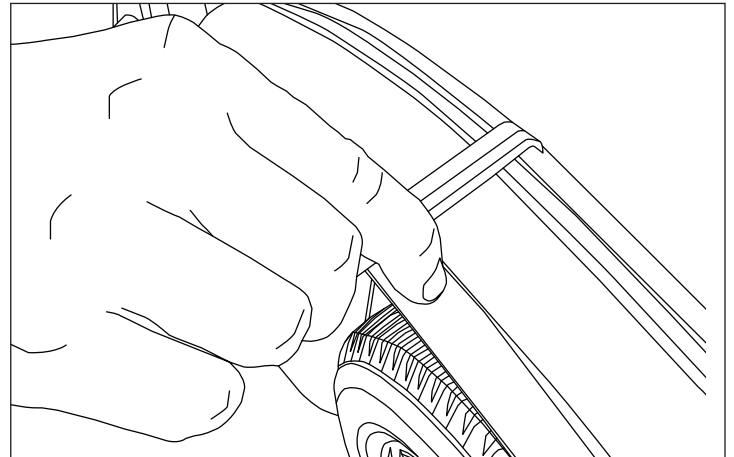
**NOTE:** Ensure that the Edge Trim(#21) is seated correctly before proceeding.

16. Press Rear Right Flare(#4) firmly onto the vehicle, install and fully tighten (8) Phillips Truss Screws(#17). Rear Right Flare(#4) installation is complete. Repeat on Driver's Side using the Rear Left Flare(#3).



### Edge Trim Tool Procedures

17. Using the supplied Edge Trim Tool (#20), seat the Edge Trim(#21) against the vehicle by hooking the curved end under Edge Trim(#21) at one end of flare. Next, slide around outer edge of flare to the other end.



18. Using flat end of supplied Edge Trim Tool (#20), seat Edge Trim(#21) against flare by inserting straight end between edge trim and flare at one end. Next, slide around entire edge to the other end.

