

INSTALLATION MANUAL

25474

Level of Difficulty

Moderate

Installation difficulty levels are based on time and effort involved and may vary depending on the installer level of expertise, condition of the vehicle and proper tools and equipment.

Weight Carrying Capacity

Gross trailer weight (GTW)	14,000 lbs.
Tongue weight (TW)	1,400 lbs.

Parts List

Item	Qty	Description
1	1	Trailer coupler

Tools Required

Welder	Welding PPE (Helmet, gloves, sleeves, etc.)
--------	--

* For a tools reference guide visit curtmfg.com/trailer-hitch-installation

⚠ WARNING

Never exceed the vehicle manufacturer's recommended towing capacity.

Product Photo



NOTICE

Visit www.curtmfg.com for a full-color copy of this instruction manual, as well as helpful videos, guides and much more!

Before you begin installation, read all instructions thoroughly.

Proper tools will improve the quality of installation and reduce the time required.

Periodic inspection of your product should be performed to ensure all hardware and / or components remain secure.

To help prevent damage to the product or vehicle, refer to the specified torque specifications when securing hardware during the installation process.

Product Registration and Warranty

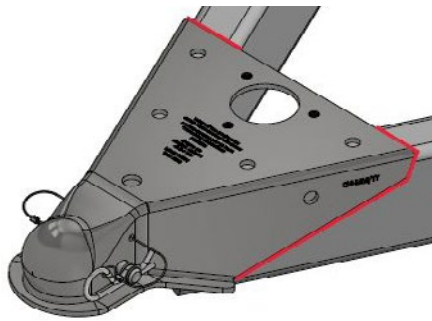
CURT stands behind our products with industry-leading warranties. To get copies of the product warranties, register your purchase or provide feedback, visit: warranty.curtgroup.com/surveys

Step 1A - Weld-On Application

Coupler should be fully welded to the frame as indicated by the red lines with a minimum weld size of 3/16" by an AWS certified welder.

⚠ WARNING

Weld surfaces should be cleaned and prepped prior to welding. Failure to properly prep parts prior to welding could result in coupler separation causing property damage, serious bodily injury, and / or death.



Step 1B - Bolt-On Application

NOTICE

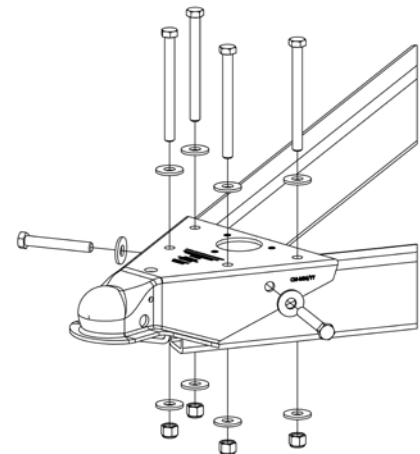
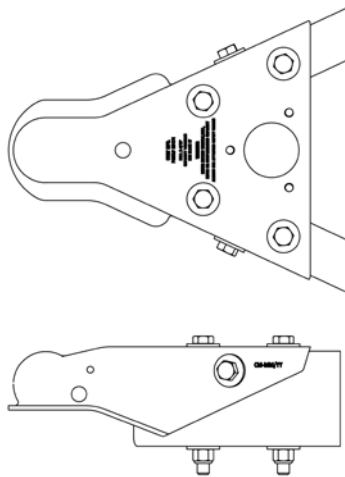
Coupler should only be used with 50 degree trailer tongues.

Bolt the coupler to the trailer tongue using grade 5 hardware (not included). The hardware needed to install the coupler include six 1/2" bolts, six 1/2" lock nuts and twelve washers.

NOTICE

The bolt length should extend a minimum of three threads beyond the lock nut when torqued.

Torque hardware to 55 ft-lbs.



Step 2

⚠ WARNING

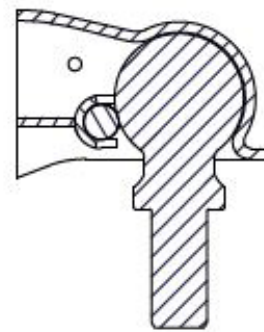
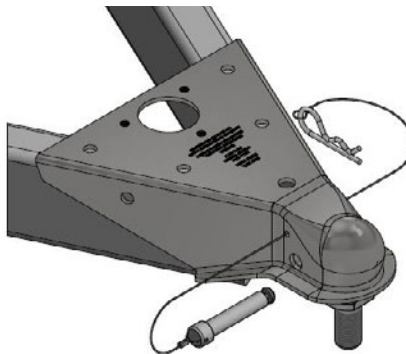
Only use the pin & clip provided with the coupler. Using an alternate pin & clip could result in property damage, serious bodily injury, and / or death.

To couple: Remove the pin & clip from the pin guide hole. Lower the coupler over the trailer ball until the ball is fully seated in the ball pocket. Insert the provided pin through the pin guide hole and fasten the clip through the end of the pin.

⚠ WARNING

When the ball is fully seated, if the pin does not pass through the coupler completely, DO NOT TOW.

To uncouple: Block the trailer's wheels. Remove the pin & clip from the pin guide hole and raise the trailer off of the trailer ball. Place the pin & clip back into the pin guide hole



TOWING BASICS & SAFETY INFORMATION

For information on safely towing your trailer, visit curtmfg.com/understanding-towing.