

Installation Instructions

1707020 Poly Hitch Box

Hitch box and steel frame for 2" hitch receiver.

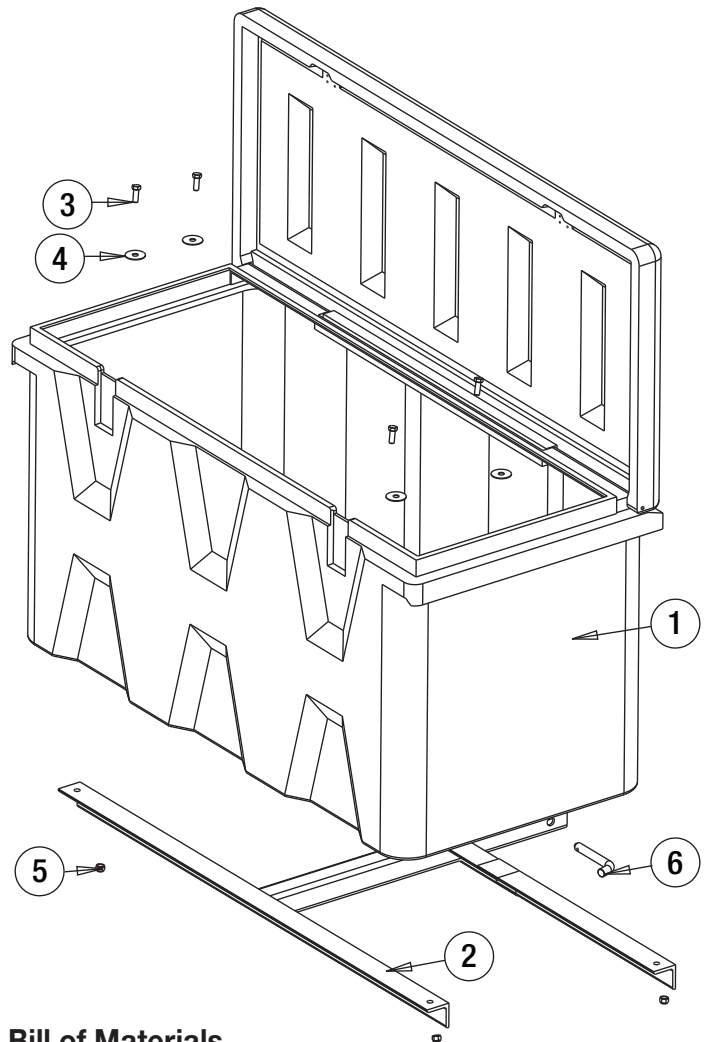
Tools Required:

- Drill
- 3/8" drill bit
- 9/16" open end box wrench
- 9/16" socket wrench

Assembly

Check contents against parts list to ensure all components are included.

1. Remove steel frame and hardware from inside the poly box.
2. Install steel frame into hitch receiver with the flat surfaces of the frame on the top side.
3. Place poly box on frame and center from side to side, and front to back.
4. Hold the poly box in place and drill 4 holes in the poly box that align with the pre-drilled holes in steel frame. *Note: Can also be done with the steel frame removed from the vehicle and the poly box turned upside down.*
5. Attach the poly box to the frame with the hardware provided. Place the washers inside the poly box, then insert the 3/8" bolts through the holes, and secure with 3/8" nylock nuts.



WARRANTY

Buyers Products Co. warrants all truck/trailer hardware manufactured or distributed by it, to be free from defects in material and workmanship for a period of one year from date of shipment. Parts must be properly installed and used under normal conditions. Any product which has been altered, including modification, misuse, accident or lack of maintenance will not be considered under warranty. Normal wear is excluded. The sole responsibility of Buyers Products Co. under this warranty is limited to repairing or replacing any part or parts which are returned, prepaid, and are found to be defective by Buyers Products Co. Authorization from Buyers Products Co. must be obtained before returning any part. No charges for transportation or labor performed on Buyers' products will be allowed under this warranty.

Bill of Materials

ITEM	PART NO.	QTY.	DESCRIPTION
1	1712255	1	POLY BOX
2	3016583	1	STEEL FRAME
3	FCS038016100SS	4	3/8"-16 X 1" BOLT
4	3007115	4	3/8"FLAT WASHER
5	FNE038016044SS	4	3/8"- 16 NYLOCK NUT
6	HP6253WC	1	HITCH PIN