



### SAFETY

#### THE SAFETY OF YOU AND OTHERS IS VERY IMPORTANT TO US!

In order to minimize this risk and make an informed decision about safety, it is important that you carefully read and follow the installation instructions we have provided.

We urge you to use your own good judgment and allow plenty of time for install.

### HAZARD CHECKLIST

- Always wear personal protective equipment (PPE) such as: protective eye wear, gloves, close toed shoes, etc.
- We recommend that you use a certified mechanic or shop for professional installation.
- Always set emergency brakes on vehicle and use tire blocks to ensure vehicle stabilization.
- Use caution when lifting, we recommend the use of equipment to help lift bumpers into place.
- Use caution when using power tools such as air ratchet, etc.
- Take caution when installing wiring.
- Perform regular inspections of hardware, bolts, brackets, etc.

### USE & RISK

Bodyguard Products LLC is not responsible for damage to our products, or other subsequent damage that might occur, as a result of misuse or improper installation. While we do manufacture products that appear stronger than factory parts, our products should not be viewed or relied upon as life-saving devices in the event of a collision or rollover. We make no claims relating to airbag compatibility, crashworthiness, or sturdiness. It is the customer's responsibility to check with the vehicle manufacturer or auto dealer regarding airbag compatibility and automobile manufacturer's warranty before installing our products.

### PREPARATION

- Ensure personal safety by checking for hazards and identifying risks.
- Check for correct hardware.
- Check for tools needed.
- Electrical tape is suggested.
- Please allow approximately 1-2 hours for installation depending on experience.

### HARDWARE KIT

21+ Ford Bronco Spare Tire Delete		
<b>HK-SD-21B</b>	<b>Spare Tire Delete 21+ Ford Bronco</b>	<b>Qty</b>
	1/4" -20 x 3/4" Long, Stainless Steel SBHCS	4
	1/4" -20 Stainless Steel SBHCS Grade 8 Serrated Hex Flange Nut	2
	1/4-20 (.093-.126: Panel Range) Zinc Electroplate Spring Steel Cage Nut	2
	Small License Plate Lights	2
	Plastic License Plate Nuts	4
	10' Red and Black Wire	1
	Christmas Tree Clips	2
	#14 x 5/8" Zinc License Plate Screw	4

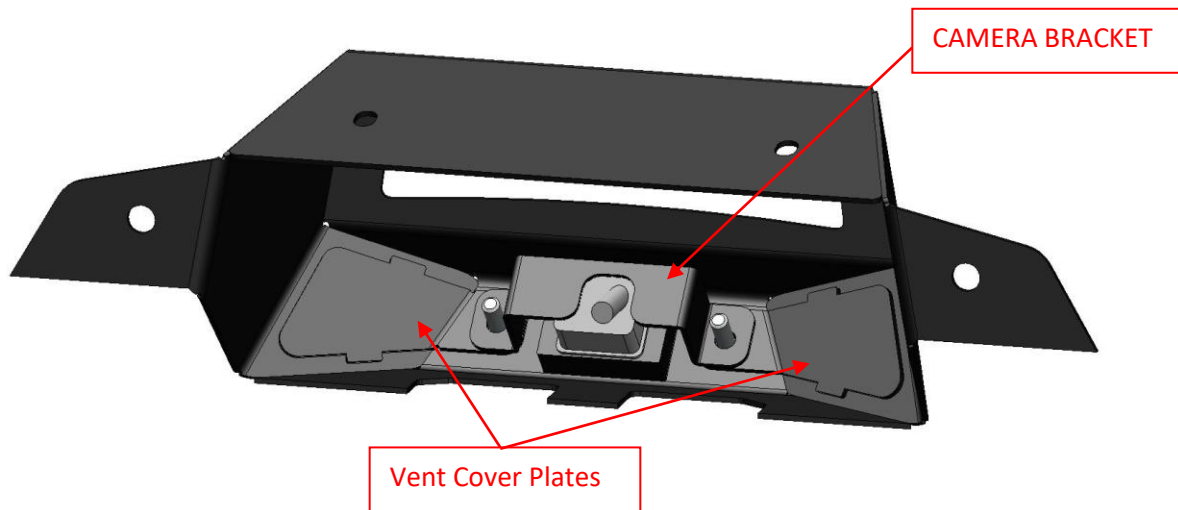
### FACTORY SPARE TIRE CARRIER REMOVAL (Notes)

1. Remove the factory spare tire from the tire carrier by removing the 3 lug nuts holding the tire.
2. Then from inside the door remove the vent panel to reveal harness for the third brake light and rear camera.
3. Unplug the camera and third brake light harness and push the grommet out from the rear door. Then remove the spare tire carrier.
4. Remove the spare tire carrier by removing the (8) 13mm bolts holding the carrier.
5. Now you will need to remove all torx bolts to gain access and remove the third brake light.
6. To remove the rear camera, you will need to break the retaining ring away from the spare tire carrier that is currently plastic welded in. It will help if you have a heat gun and plastic trim and clip removal tools as shown below. Heat up the plastic retaining ring and use the clip removal tool to pry the ring away from the spare tire carrier. Once rear camera tube is removed, remove the camera from the tube.

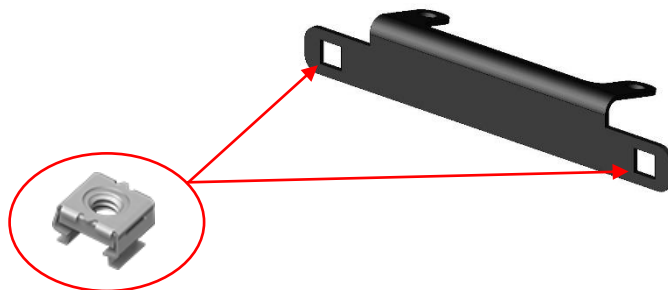


#### INSTALLATION

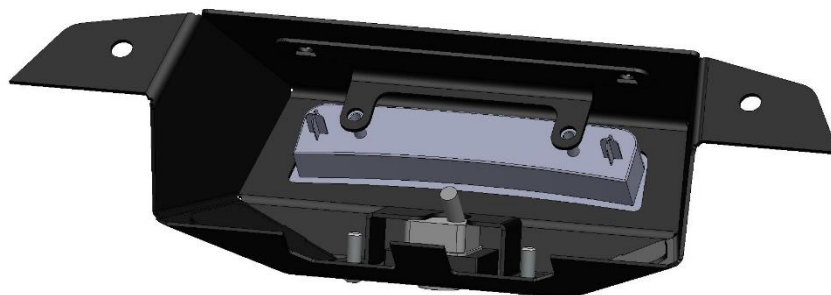
1. Disconnect the battery on the vehicle.
2. Remove the factory tire carrier and remove the third brake light, reverse camera, and wiring harness from the spare tire carrier.
3. Install two **1/4" -20 x 3/4" Long, Stainless Steel SBHCS** into the spare tire delete housing to each side of the camera hole. Place your camera into the square camera slot. Install both wing vent cover plates, followed by the camera bracket. Do not over tighten the camera bracket.



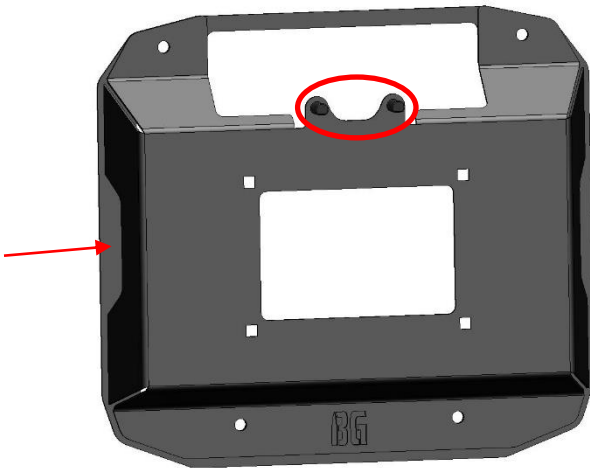
4. Next install two cage nuts onto the square holes on the third brake light bracket.



5. Now install the third brake light onto the brake light bracket using the OEM screws. Then, using two **1/4" -20 x 3/4" Long, Stainless Steel SBHCS**, install the brake light and brake light bracket assembly onto the spare tire delete housing.



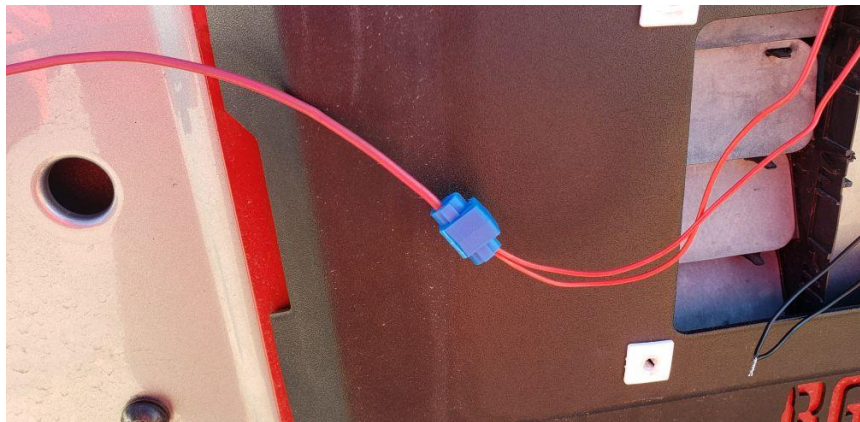
6. Set aside the spare tire delete housing.
7. Next Install the trim ring and license plate holder onto the Jeep using two OEM tire carrier bolts. At this point you will also install the two provided license plate lights and plastic license plate nuts onto the license plate holder as shown below. Make sure to run the factor wiring out of the slot to the left of the spare tire delete.



8. Twist the two red and two black wires from the license plate lights together



9. Take the two supplied Scotch Locks and provided wiring and connect them to the license plate lights



10. Next run the new wiring into the wiring harness that you removed from the factory spare tire carrier shown in the following image. You will need to cut the factory electrical tape and unravel the cloth tape. Be careful to not cut the wiring harness underneath.



11. Connect the OEM wiring harness to the plugs that are attached to the door.



12. Next run the new red and black wires inside the door attaching it to the existing wiring harness with tape or zip ties. You will have to pull the rear door accessory panel off by lightly prying at the bottom edges. Then peel back the cloth tape/electrical tape and run the red and black wire through the harness loom going from the rear door to the trunk.

13. Run the new wiring down the side panel and under the weather bottom weather stripping to access the bumper wiring harness. You may need to remove the door molding for ease of access. Once the wiring has reached the bumper, splice wires into OEM tag light wires.



14. Next take the spare tire delete housing that was set aside and connect the camera and third brake light. Then install the housing onto the rest of the spare tire delete using the OEM Bolts.



15. Remove the rubber bump stops and install the provided plugs (Christmas tree clips) (*Optional*).



### FINISHING UP

- Confirm that all hardware is tightened and everything is secure.
- Reconnect your battery and check all connections, once everything is working correctly, tighten all bolts
- Test to make sure that all lights and camera are working properly before driving.

### MAINTENANCE

- Frequently check that all hardware is tightened and that all wiring and connections are secure.

### FEEDBACK

We'd love to hear from you! Please send your pictures, testimonials, comments, or suggestions to us by email at [info@bodyguardbumpers.com](mailto:info@bodyguardbumpers.com). We frequently use customer pictures for brochures and marketing materials, and we always welcome customer feedback to ensure quality improvements within our company. Thanks for your purchase; we appreciate your business very much!

Where **STRENGTH** Meets *Style!*™